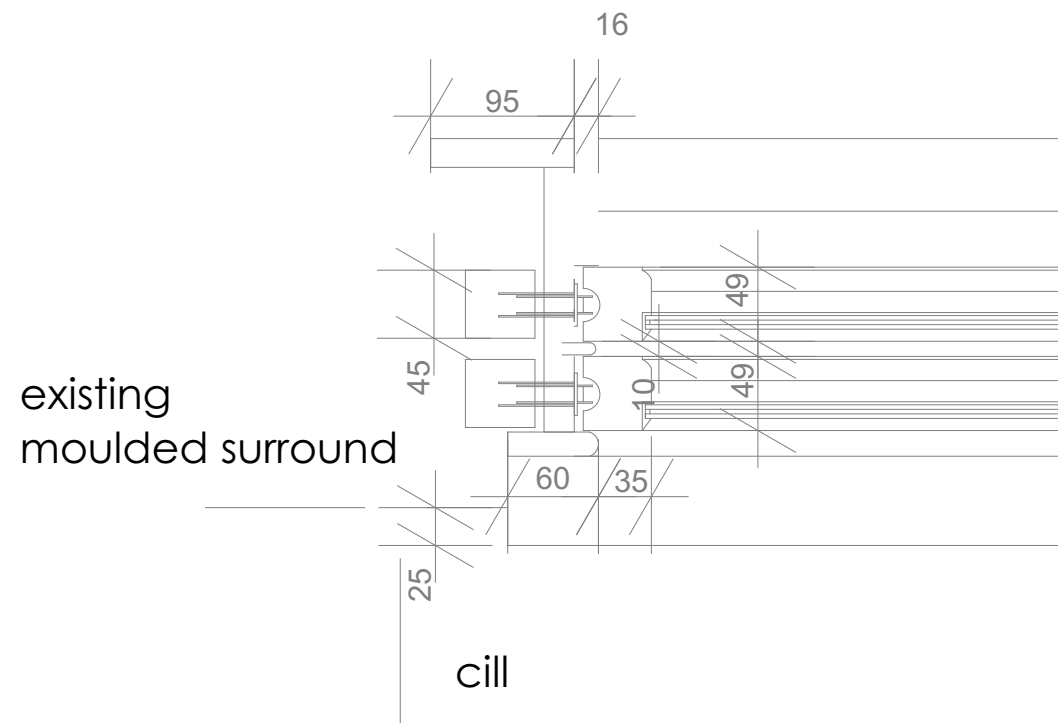
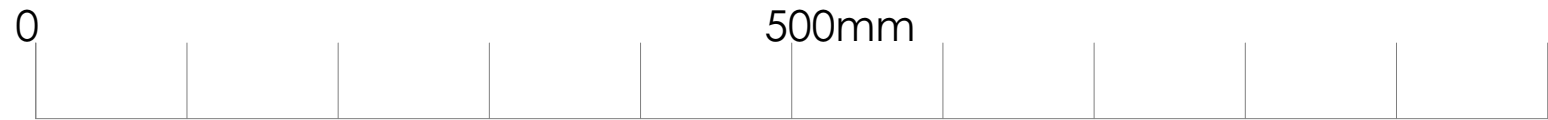
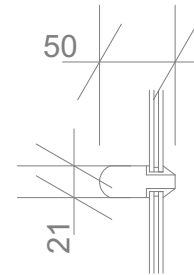


exg stone cill



Slimlite astragal to take
12mm double glazed unit



Flat 4, 33 Regents Park Road, London NW1 7TL
Replacement of Windows with Double Glazing

Typical Sash window detail - with double glazed units

owen powell Architects & Surveyors
82 Gloucester Road Brighton BN1 4AP
01273 69 66 55 op@owen-powell.com

Dec 2024

1:5 @ A3

2419/4