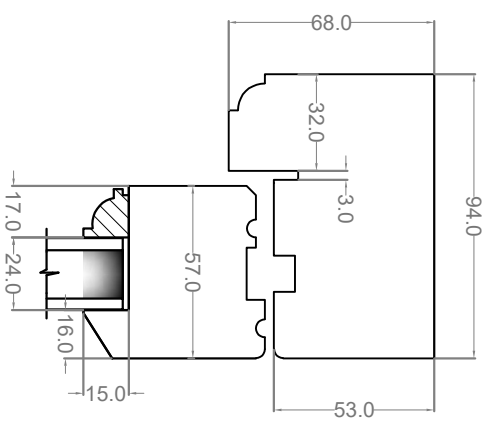
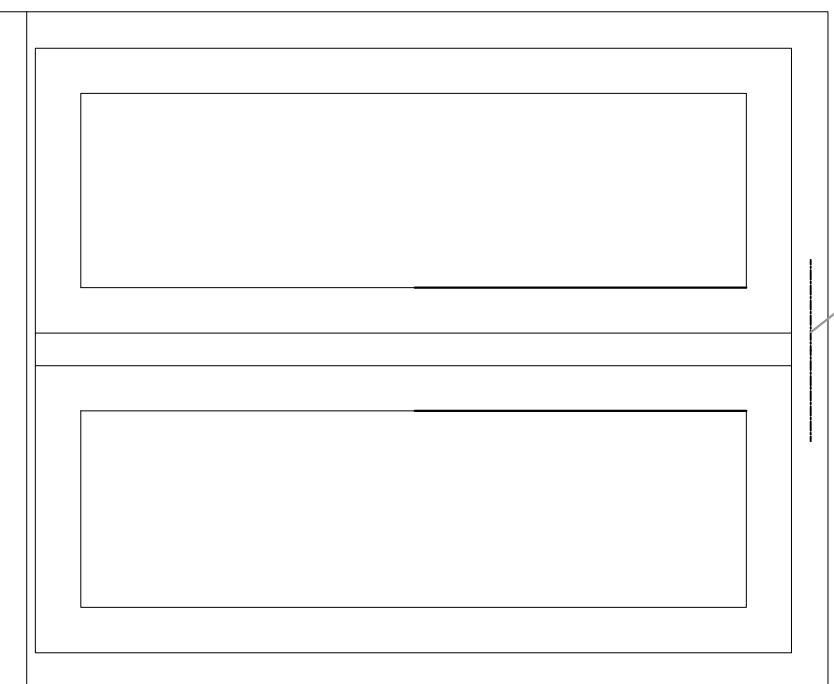
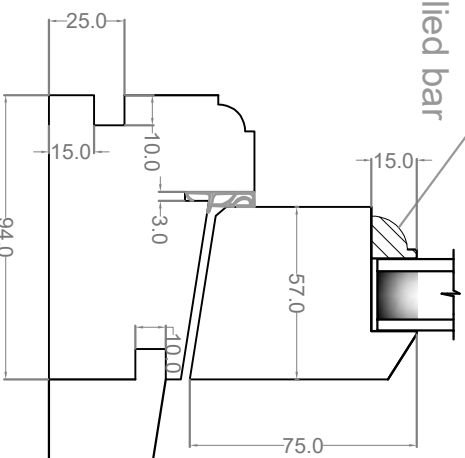


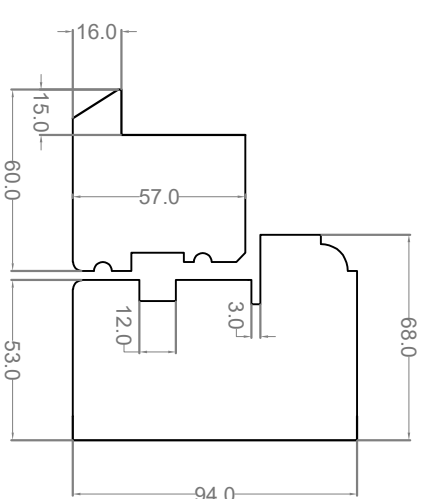
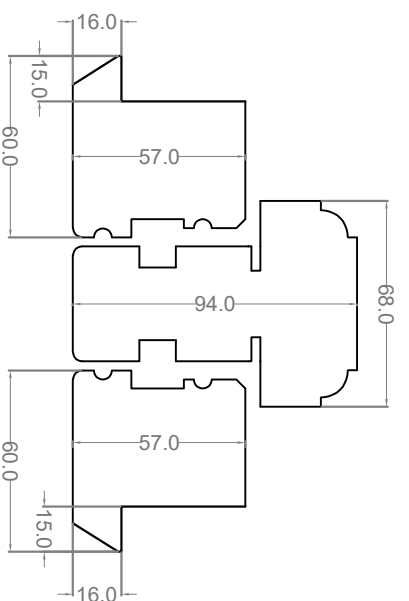
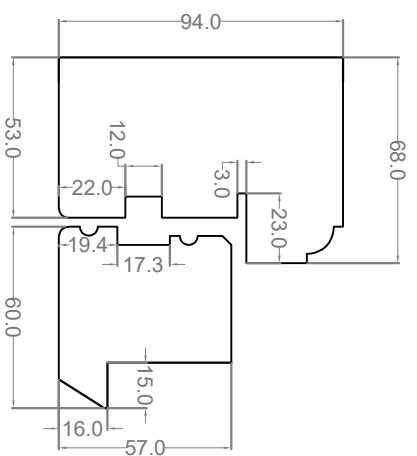
Site of trickle vent, if specified



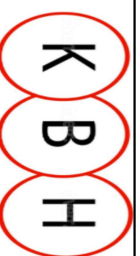
This bead in case of no applied bar



Additional cill to suit site conditions



IRROSSER
Respoke Joinery



BUILDING SERVICES LTD

Title:
24mm glazed casement window

Created by:
Grzegorz Jasnoch

Date:
02.09.2022

Scale:
1:2.5

Comments:
dotted line indicates site of trickle vent when specified