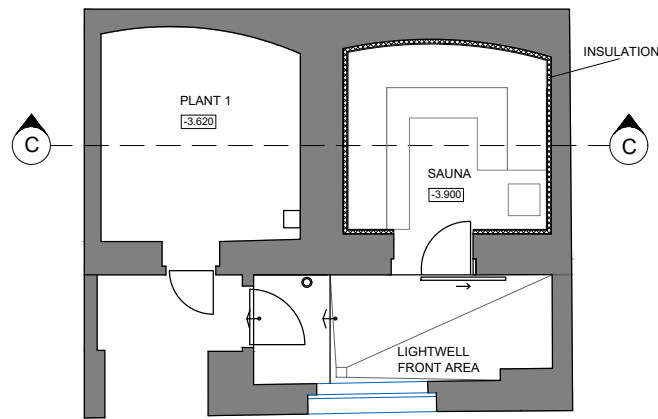
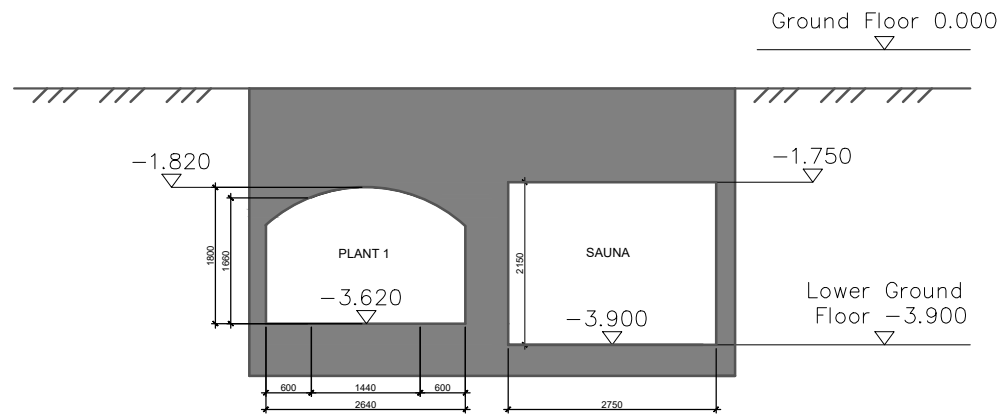


Proposed Section C-C

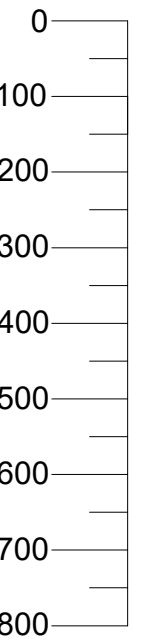
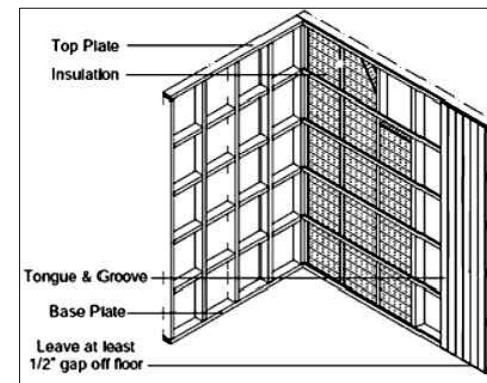
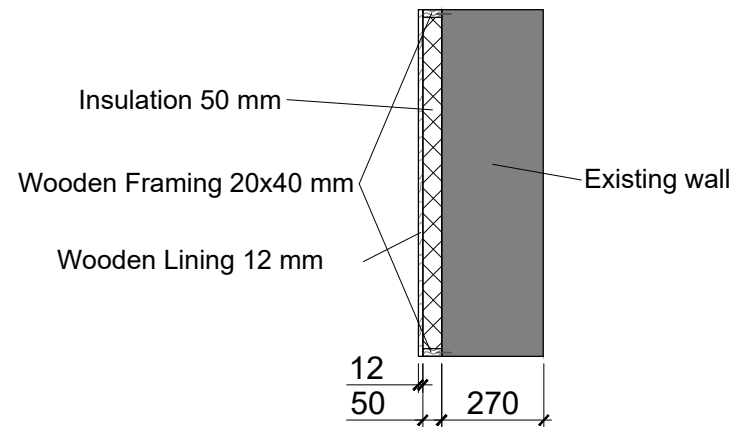
M 1:100

No change in height/form - in the existing original arches



Detail

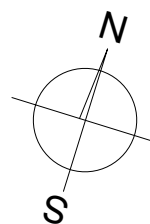
M 1:20



Site Bar  
1:100 in mm

Notes

This drawing has been drawn to a scale of 1:50 & 1:100 for the purpose of obtaining local authority approval. Any measurements required for construction must not be scaled from this drawing but taken on site. All structural elements to be agreed with the local authority Building Control prior to the commencement of works. Attention of drawn to the provisions of the Party Wall, etc. Act 1996.



HT

project 59 Cumberland Terrace, London, NW1 4HJ			
title Proposed Section C-C			
scale 1:100 @ A3	author IP	dwg no. 009	rev. P1
date 14.11.24	job no. 235		