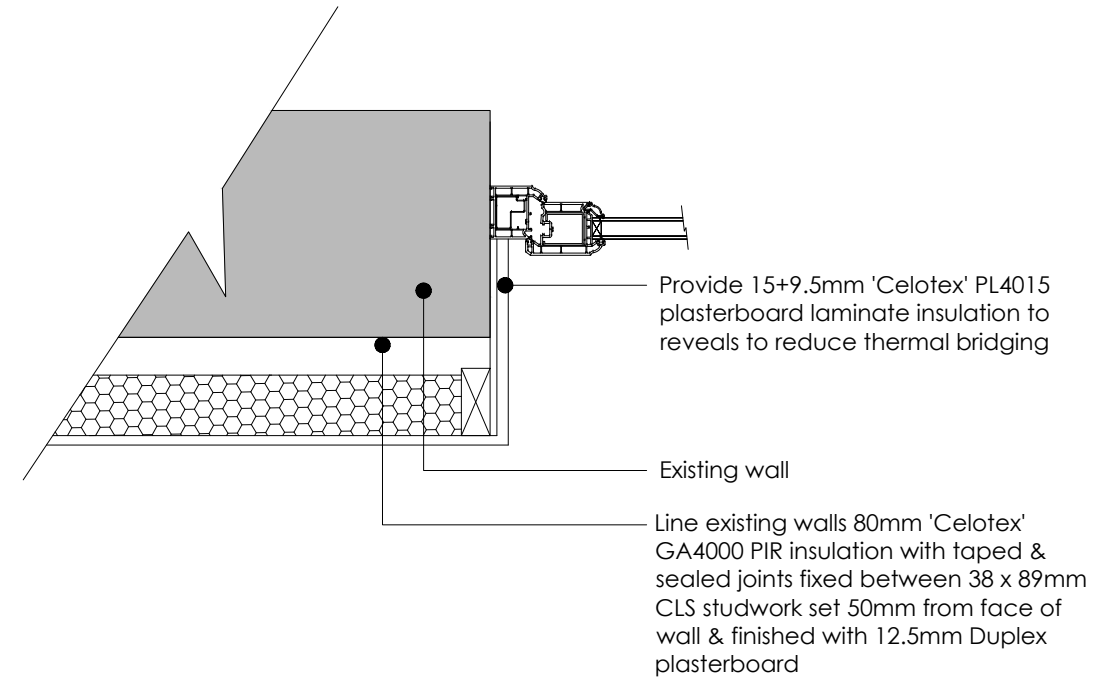


Mansard door detail



Solid wall door/window detail



5-7 ADAMSON ROAD, NW3 3HX
 PLANNING APPROVAL No.
 2023/4651/P
 CONDITION 4A WINDOWS AND
 DOORS - REVEAL DETAILS

4A

SCALE: 1/10 ON A3
 DATE: 04-12-2024