

# TILT & TURN TIMBER WINDOW

TITLE

## ELEVATION DRAWING

DRAWING No.

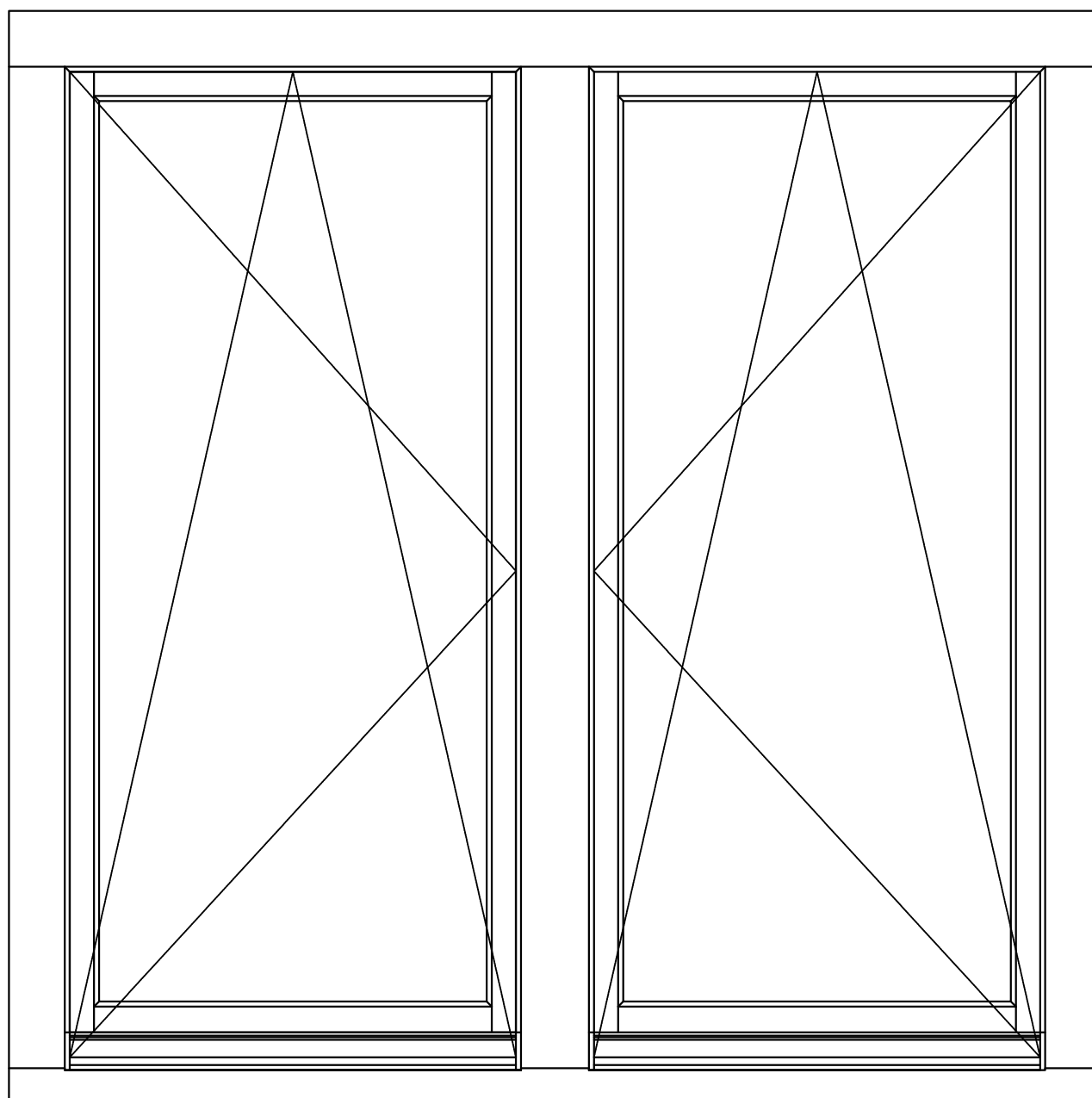
TT-W-78/01

DATE

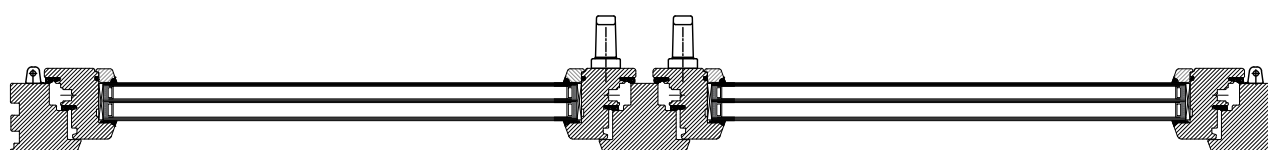
2018/06/06

SCALE

CONSTRUCTION DETAILS



Material	Manufactured in selected engineered laminated pine or hardwood, sourced from sustainable and managed forestry (FSC or PFEC certified)
Mechanism	Sashes operated on multiple turning mechanism with dual opening action, which allows ventilation and easy cleaning from the inside
Security (optional)	Fully tested to Secure by design standards PAS 24:2012
Weatherseal	The window is fully weather sealed to BS EN 6375-1 2009
Glass	The window is factory glazed and can take dual or triple sealed units up to 48mm thickness
Thermal Performance	Thermal performance is calculated by the standards of EN ISO 10077-1:2006 and this window achieves a U-value from 1.3 W/m <sup>2</sup> K down to 0.8 W/m <sup>2</sup> K
Glazing Bars	Applied bars are used to achieve the slim section of traditional glazing bars. These are applied with double sided glazing tape to both faces of the sealed unit and capped with clear silicone
Cill Extensions	Manufactured in hardwood with options of cill projections
Fittings	Dual action fastener to each operable sash with options in colour and finish. Concealed hinges is an option
Ventilation	A controllable trickle ventilator can be fitted to the window dependant on width of sash or frame (See Drawing No TT-W-78/11)
Factory Finishing	To ensure the smooth operation and optimum performance of the window, we apply 3 coats of sprayed applied microporous water based paint system



TRC CONTRACTS Ltd  
Knoll House, Union Wharf,  
Market Harborough,  
Leicestershire LE16 7UW  
Tel: +44 (0)1858 469 225  
Fax: +44 (0)1858 469 249  
www.trcwindows.co.uk



# TILT & TURN TIMBER WINDOW

TITLE

## VERTICAL SECTION

DRAWING No.

### TT-W-78/02

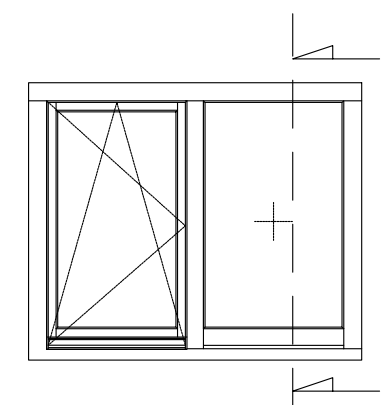
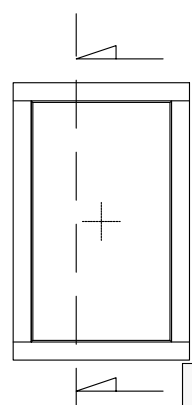
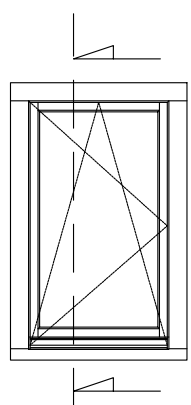
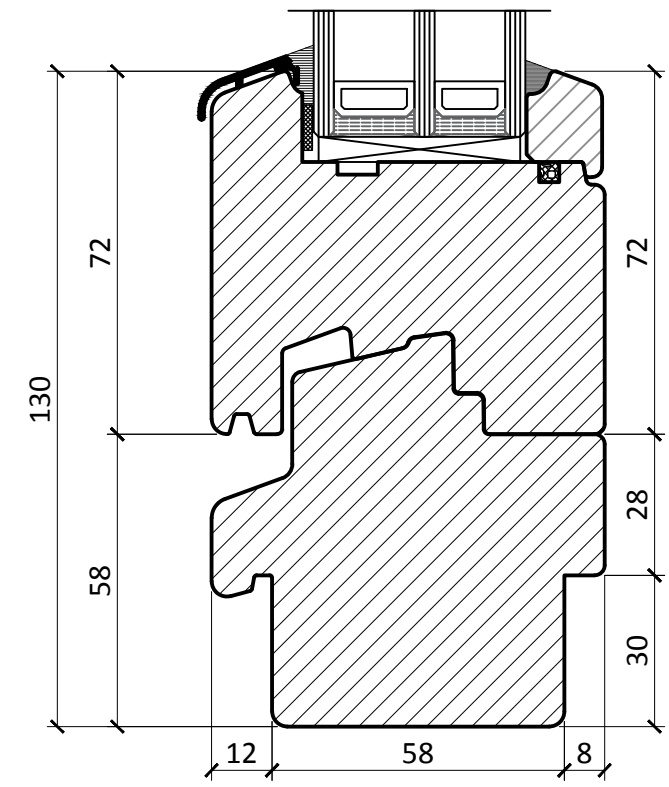
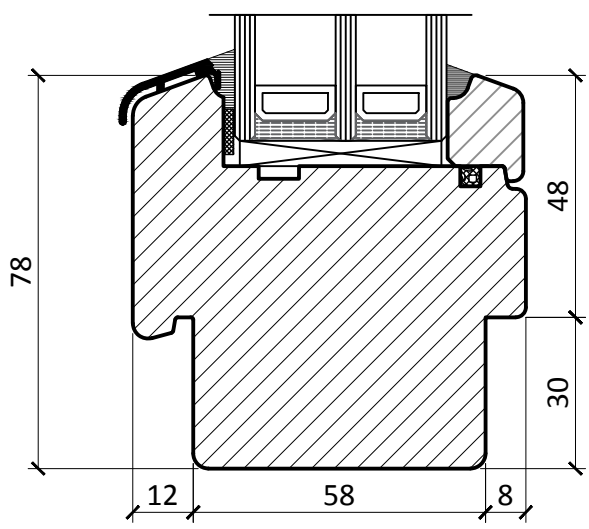
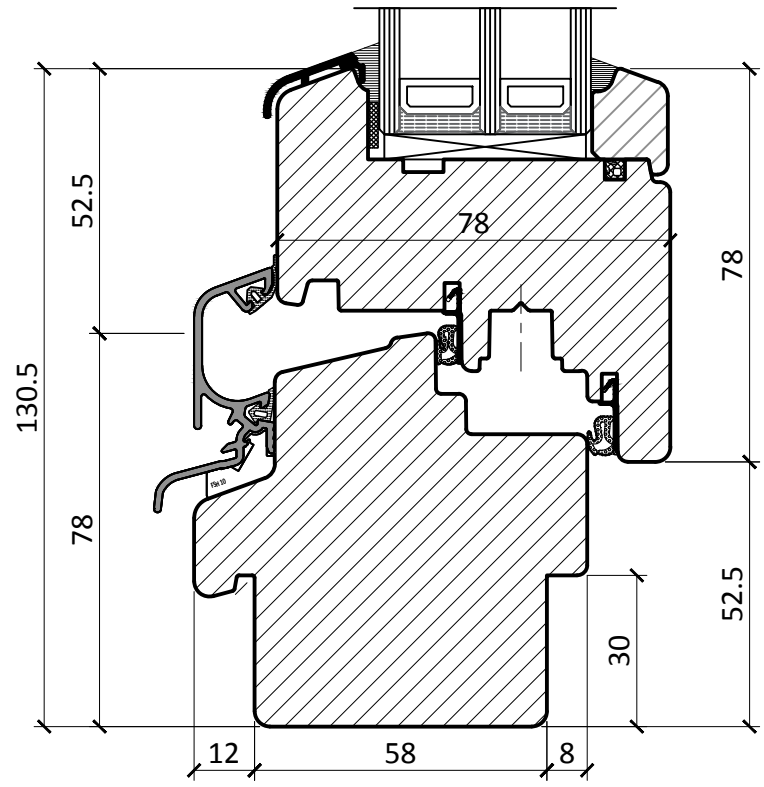
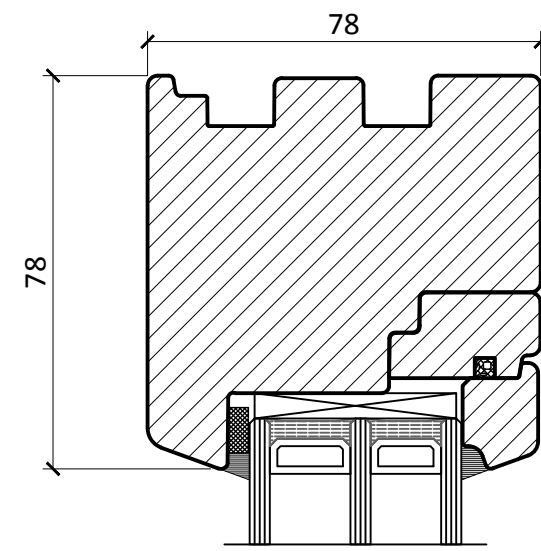
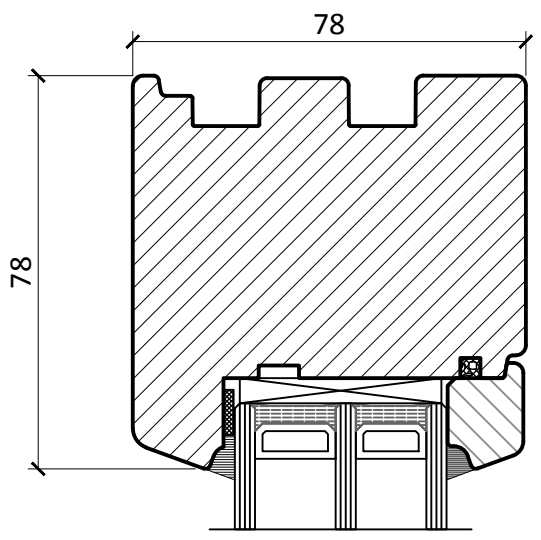
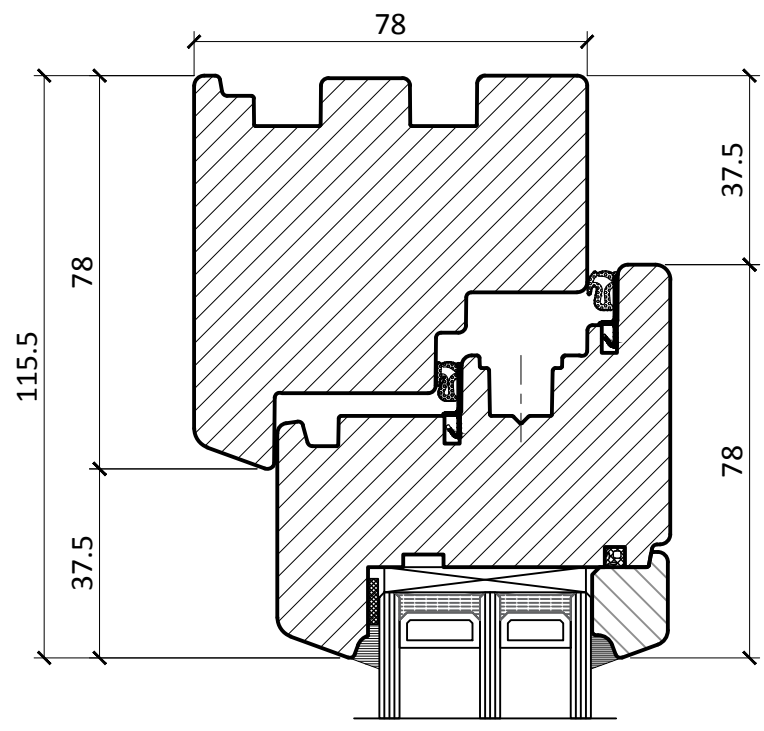
DATE

2018/06/06

SCALE

1:1.5 @ A3

CONSTRUCTION DETAILS



TRC ARE AN ISO 9001 REGISTERED COMPANY



TRC CONTRACTS Ltd  
 Knoll House, Union Wharf,  
 Market Harborough,  
 Leicestershire LE16 7UW  
 Tel: +44 (0)1858 469 225  
 Fax: +44 (0)1858 469 249  
 www.trcwindows.co.uk



# TILT & TURN TIMBER WINDOW

TITLE

## HORIZONTAL SECTION

DRAWING No.

### TT-W-78/03

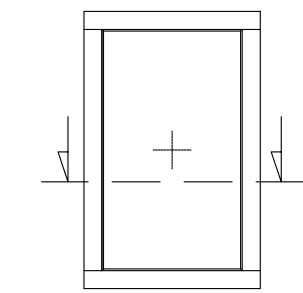
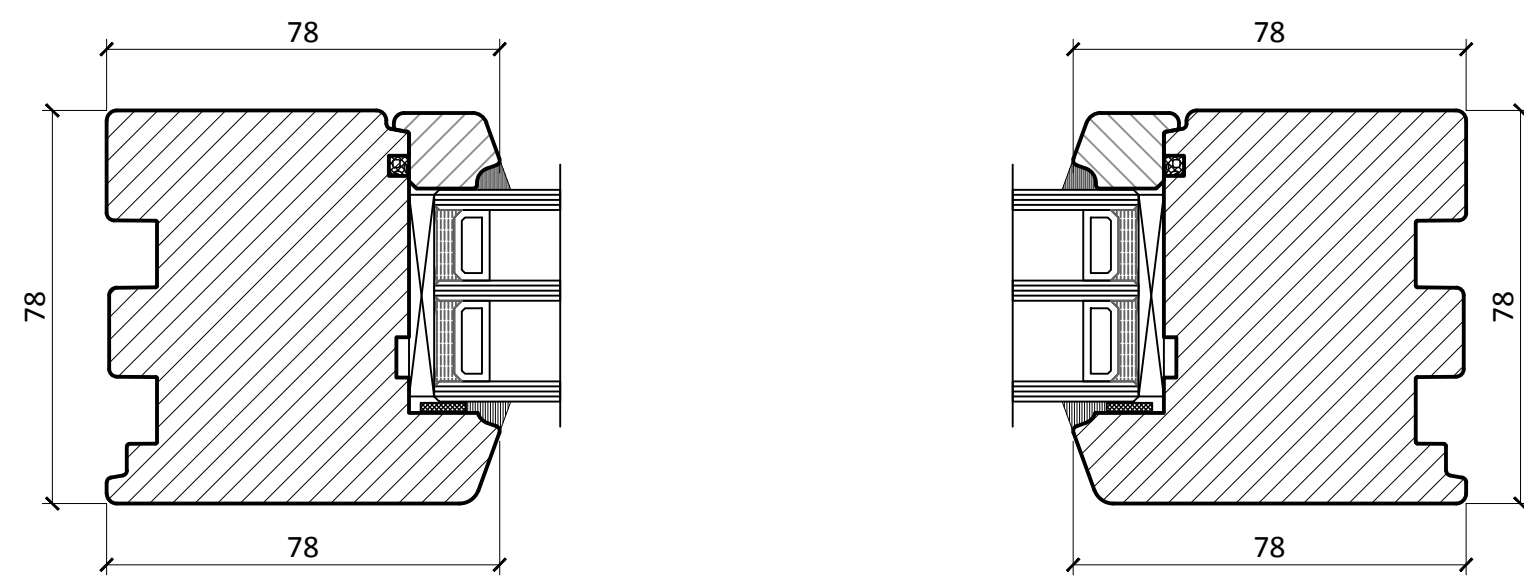
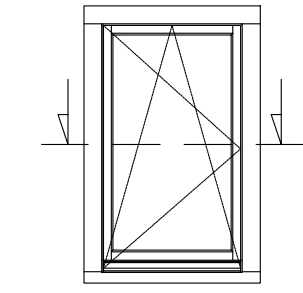
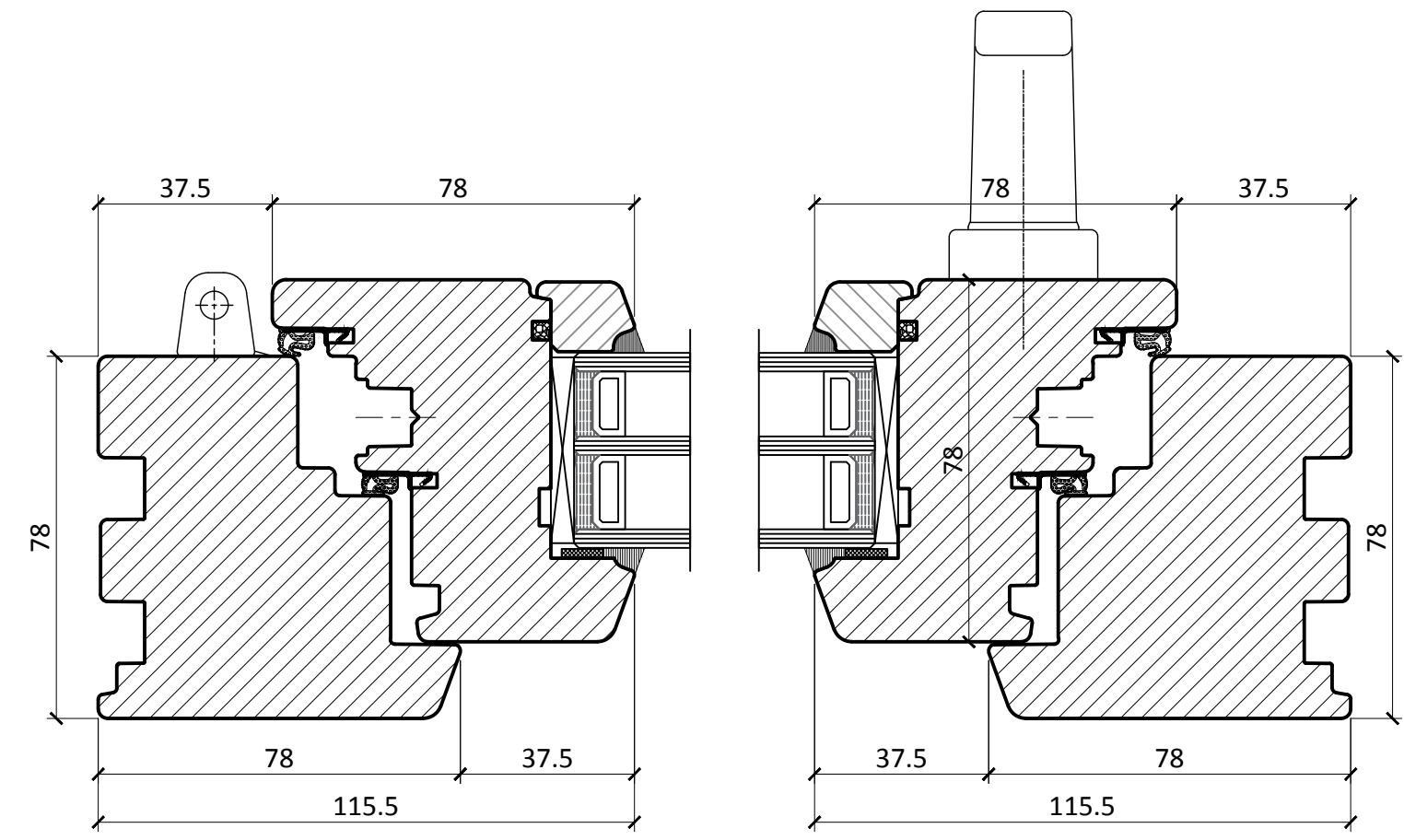
DATE

2018/06/06

SCALE

1:1.5 @ A3

CONSTRUCTION DETAILS



TRC CONTRACTS Ltd  
 Knoll House, Union Wharf,  
 Market Harborough,  
 Leicestershire LE16 7UW  
 Tel: +44 (0)1858 469 225  
 Fax: +44 (0)1858 469 249  
 www.trcwindows.co.uk

TRC ARE AN ISO 9001 REGISTERED COMPANY



# TILT & TURN TIMBER WINDOW

TITLE

## MULLION DETAILS

DRAWING No.

TT-W-78/04

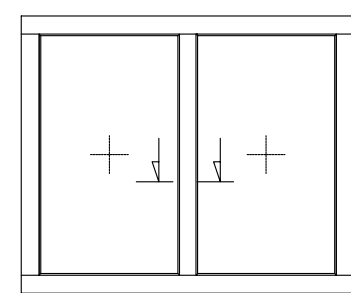
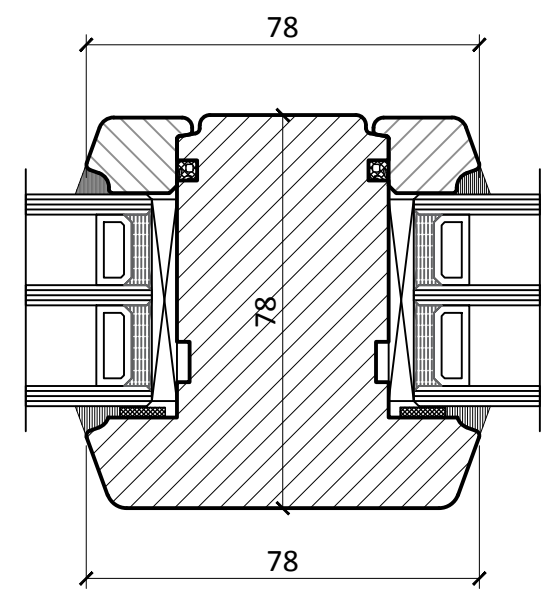
DATE

2018/06/06

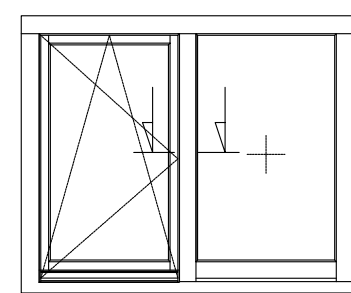
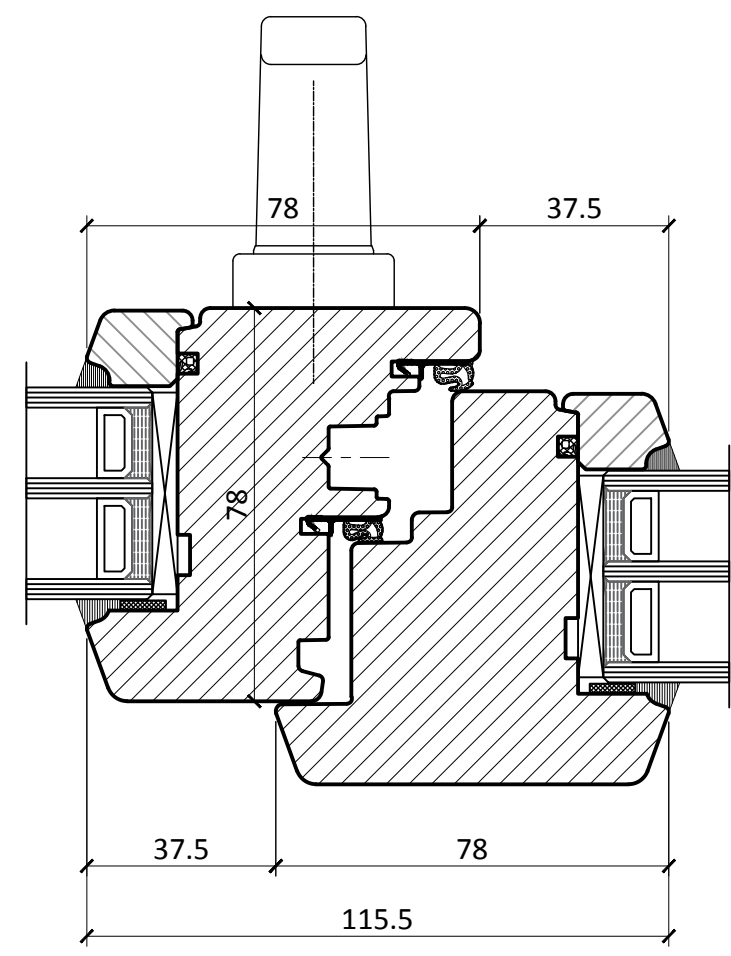
SCALE

1:1.5 @ A3

CONSTRUCTION DETAILS



DIRECT GLAZED



TILT & TURN NEXT TO  
DIRECT GLAZED

TRC CONTRACTS Ltd  
 Knoll House, Union Wharf,  
 Market Harborough,  
 Leicestershire LE16 7UW  
 Tel: +44 (0)1858 469 225  
 Fax: +44 (0)1858 469 249  
 www.trcwindows.co.uk

TRC ARE AN ISO 9001 REGISTERED COMPANY



# TILT & TURN TIMBER WINDOW

TITLE

## MULLION DETAILS

DRAWING No.

TT-W-78/05

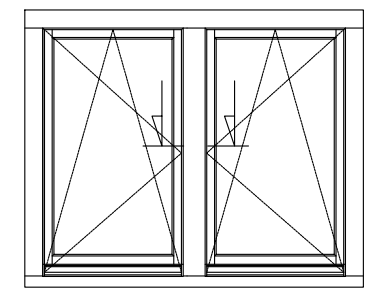
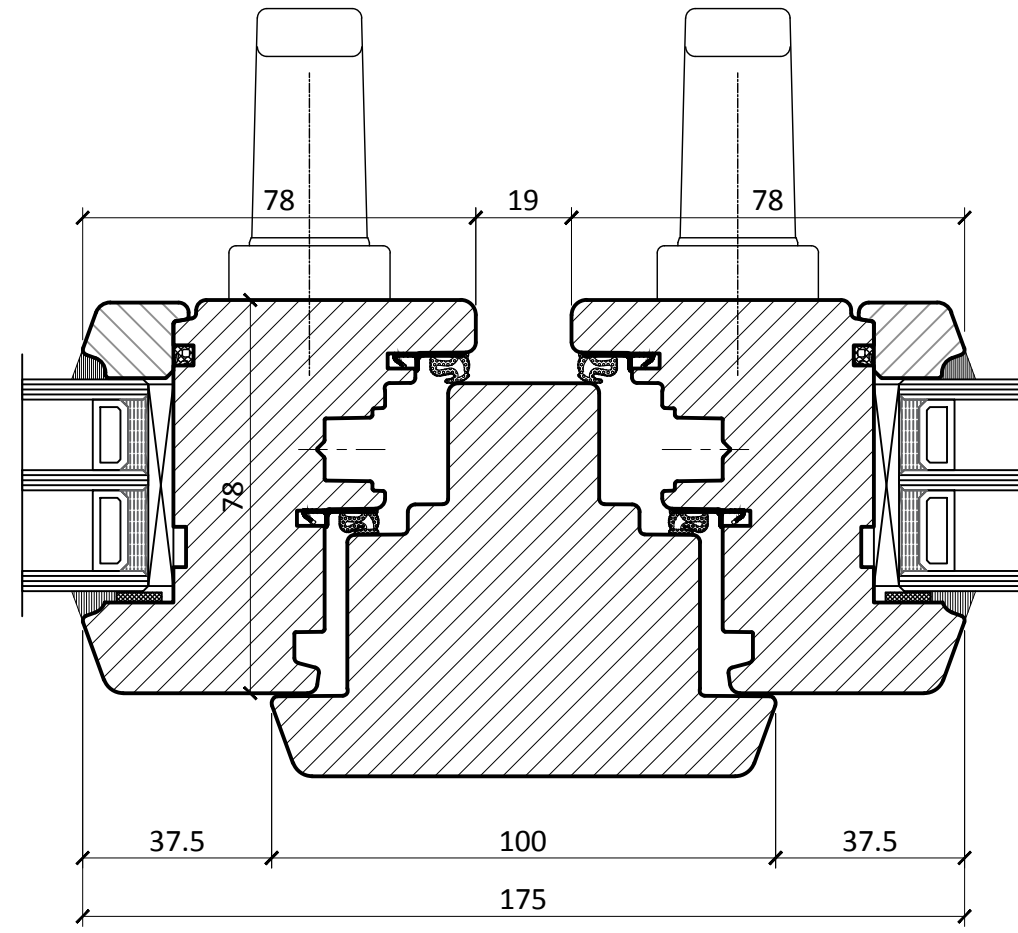
DATE

2018/06/06

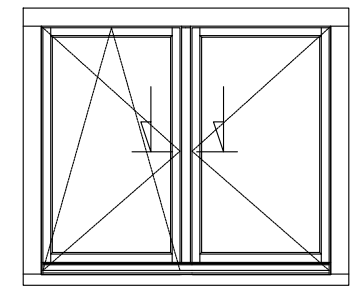
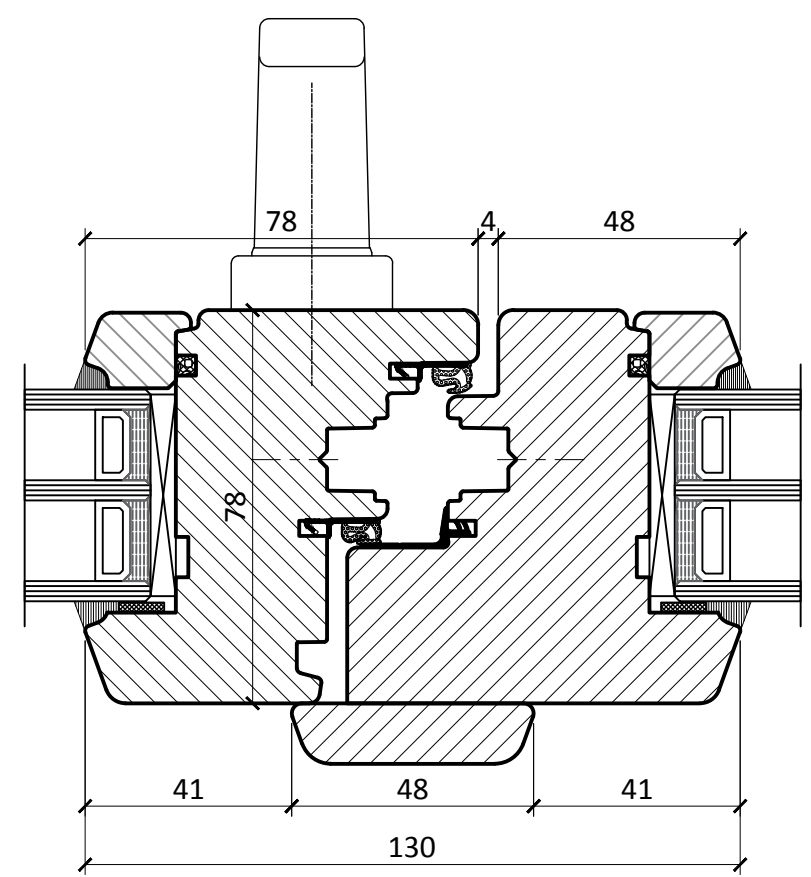
SCALE

1:1.5 @ A3

CONSTRUCTION DETAILS



DOUBLE TILT & TURN



TILT & TURN WITH  
FLOATING MULLION

TRC CONTRACTS Ltd  
 Knoll House, Union Wharf,  
 Market Harborough,  
 Leicestershire LE16 7UW  
 Tel: +44 (0)1858 469 225  
 Fax: +44 (0)1858 469 249  
 www.trcwindows.co.uk

TRC ARE AN ISO 9001 REGISTERED COMPANY



# TILT & TURN TIMBER WINDOW

TITLE

## TRANSOM DETAILS

DRAWING No.

TT-W-78/06

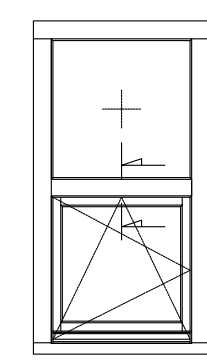
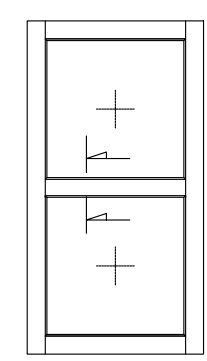
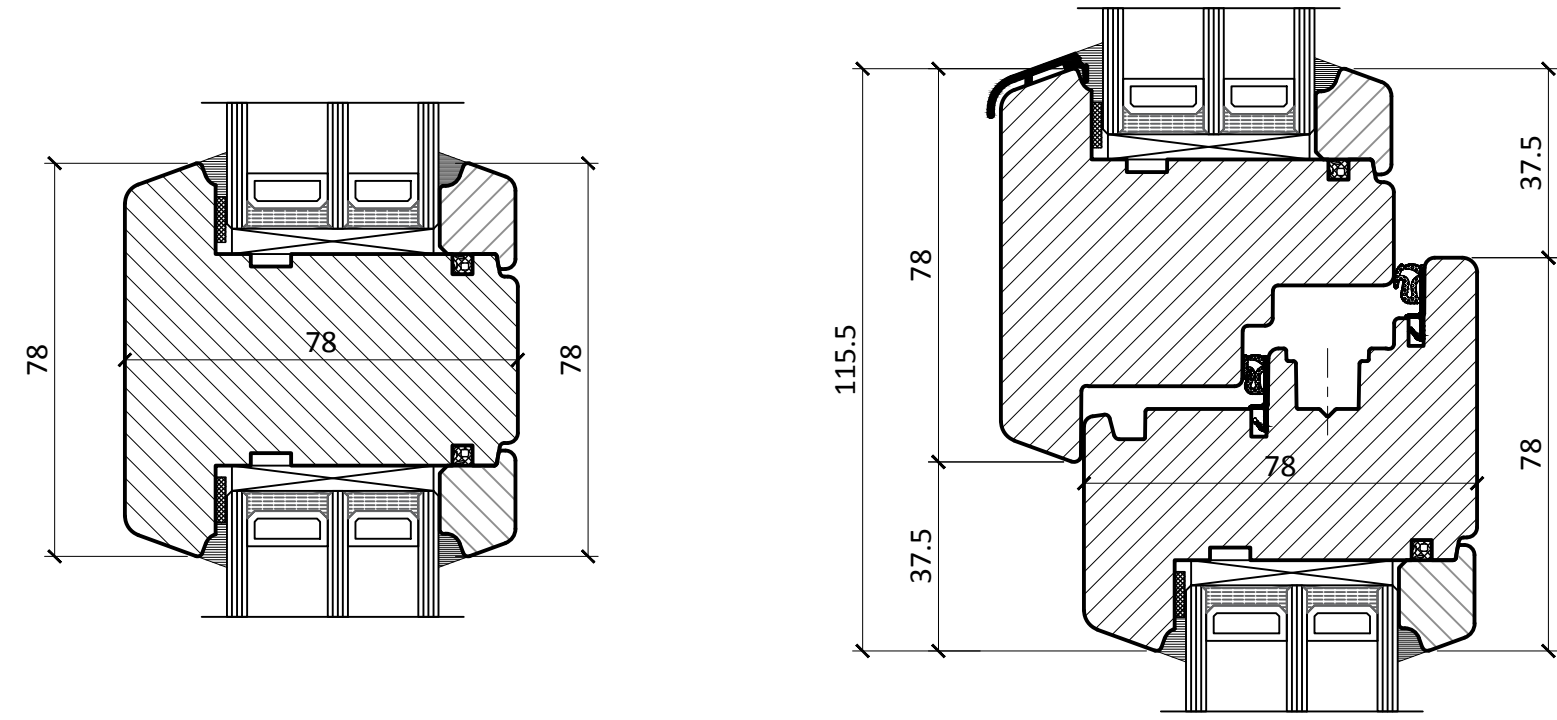
DATE

2018/06/06

SCALE

1:1.5 @ A3

CONSTRUCTION DETAILS



TRC CONTRACTS Ltd  
 Knoll House, Union Wharf,  
 Market Harborough,  
 Leicestershire LE16 7UW  
 Tel: +44 (0)1858 469 225  
 Fax: +44 (0)1858 469 249  
[www.trcwindows.co.uk](http://www.trcwindows.co.uk)

TRC ARE AN ISO 9001 REGISTERED COMPANY



# TILT & TURN TIMBER WINDOW

TITLE

## TRANSOM DETAILS

DRAWING No.

TT-W-78/07

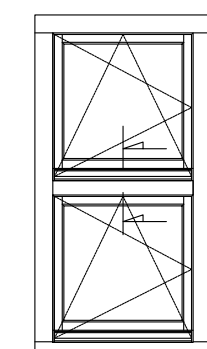
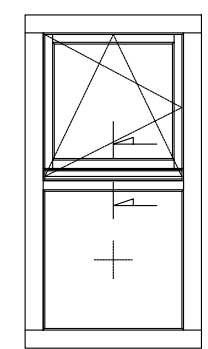
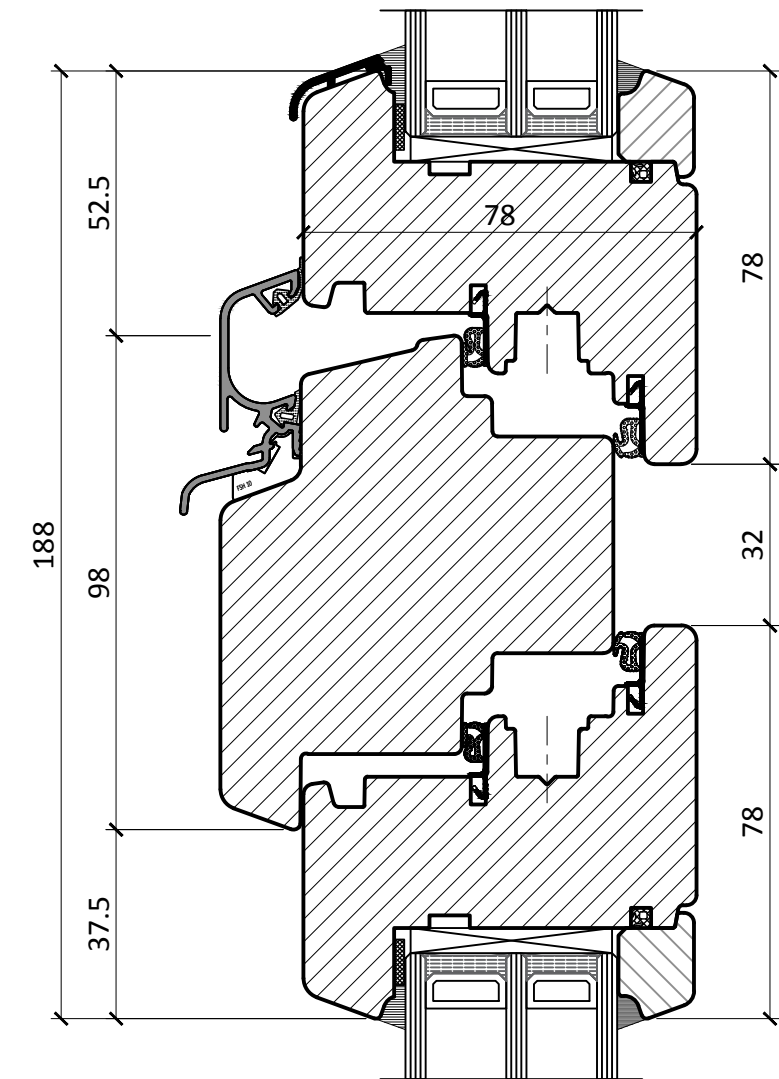
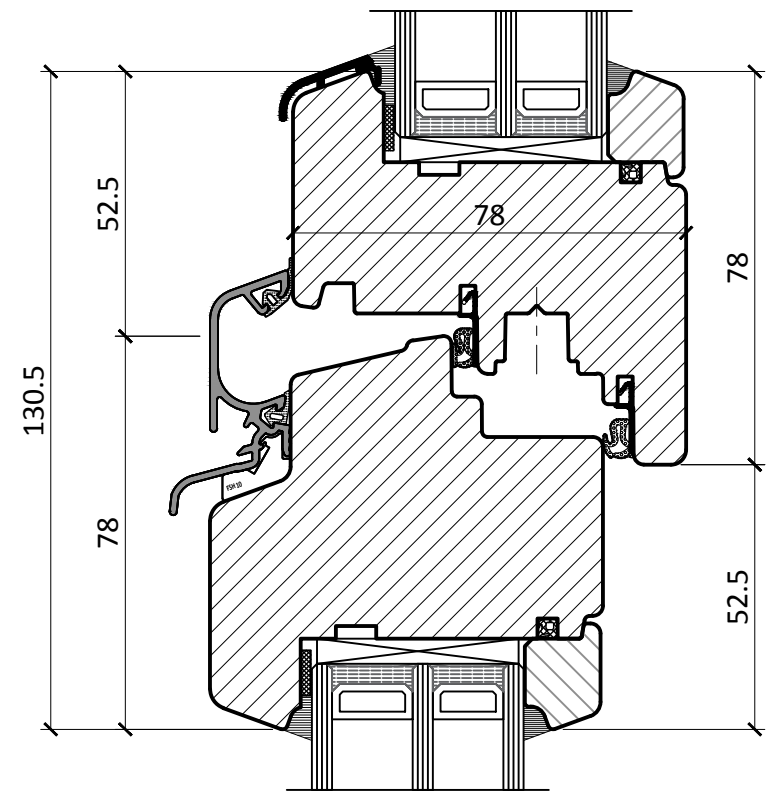
DATE

2018/06/06

SCALE

1:1.5 @ A3

CONSTRUCTION DETAILS



TRC ARE AN ISO 9001 REGISTERED COMPANY



TRC CONTRACTS Ltd  
 Knoll House, Union Wharf,  
 Market Harborough,  
 Leicestershire LE16 7UW  
 Tel: +44 (0)1858 469 225  
 Fax: +44 (0)1858 469 249  
 www.trcwindows.co.uk



# TILT & TURN TIMBER WINDOW

TITLE

## GLAZING AND GLAZING BAR DETAILS

DRAWING No.

TT-W-78/08

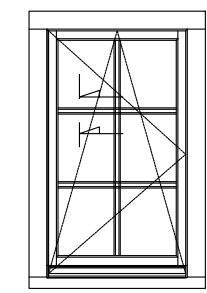
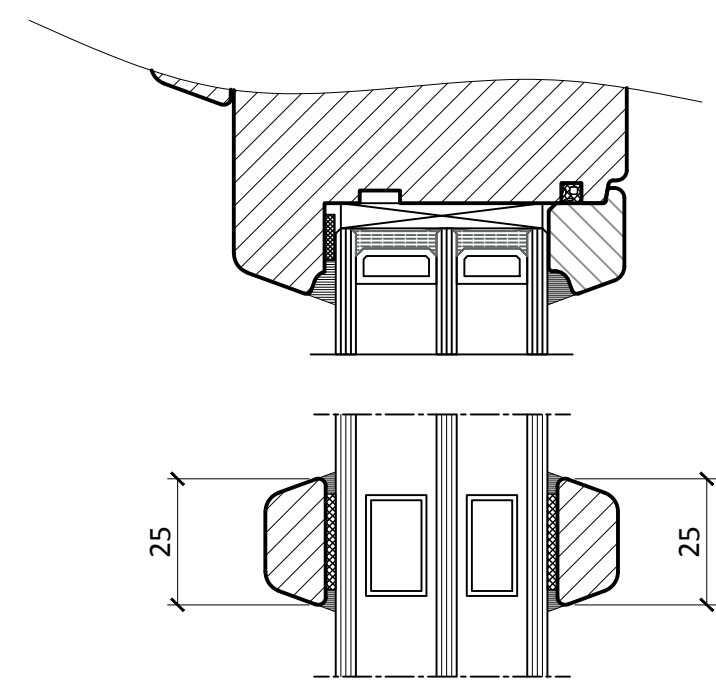
DATE

2018/06/06

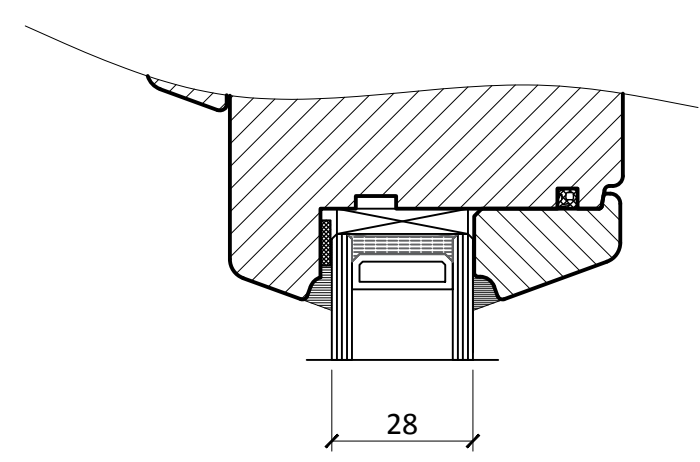
SCALE

1:1.5 @ A3

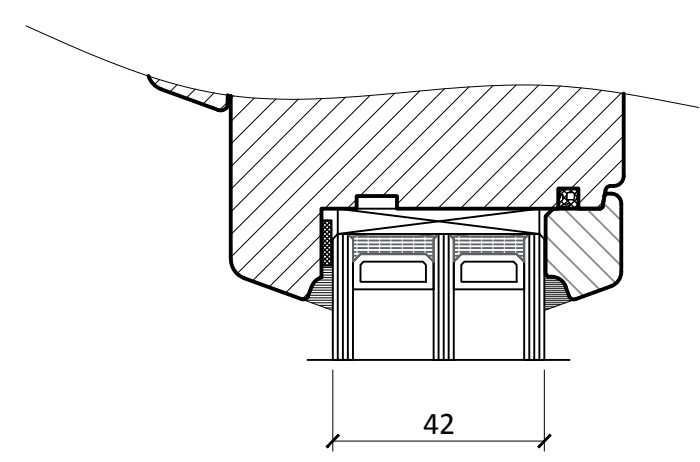
CONSTRUCTION DETAILS



Double glazed



Triple glazed



TRC CONTRACTS Ltd  
 Knoll House, Union Wharf,  
 Market Harborough,  
 Leicestershire LE16 7UW  
 Tel: +44 (0)1858 469 225  
 Fax: +44 (0)1858 469 249  
 www.trcwindows.co.uk

TRC ARE AN ISO 9001 REGISTERED COMPANY





# TILT & TURN TIMBER WINDOW

TITLE

## SASH AND FRAME OPTIONS

DRAWING No.

TT-W-78/09

DATE

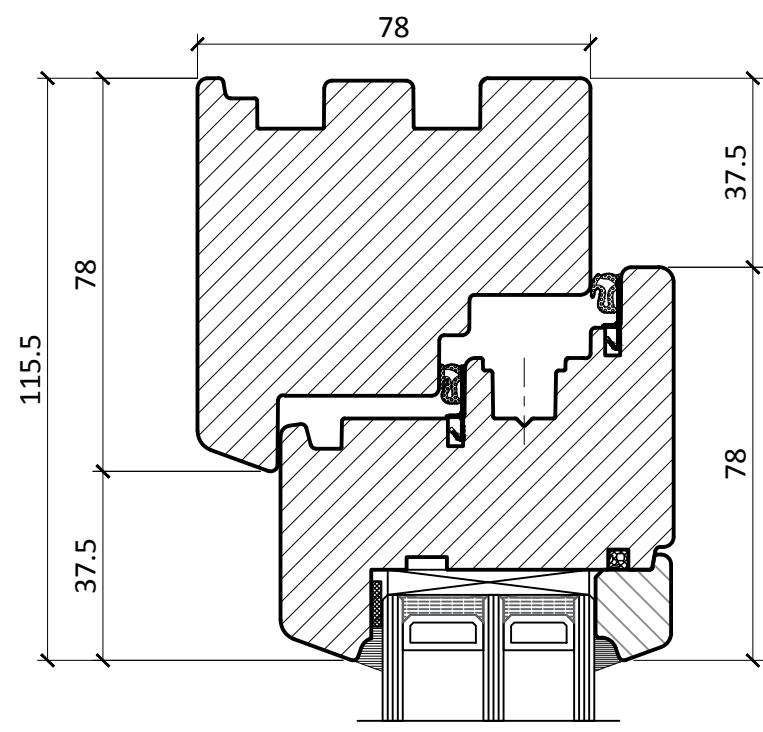
2018/06/06

SCALE

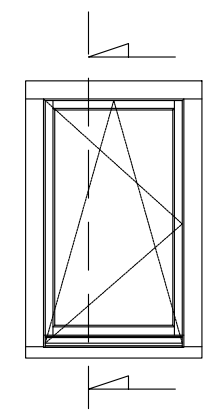
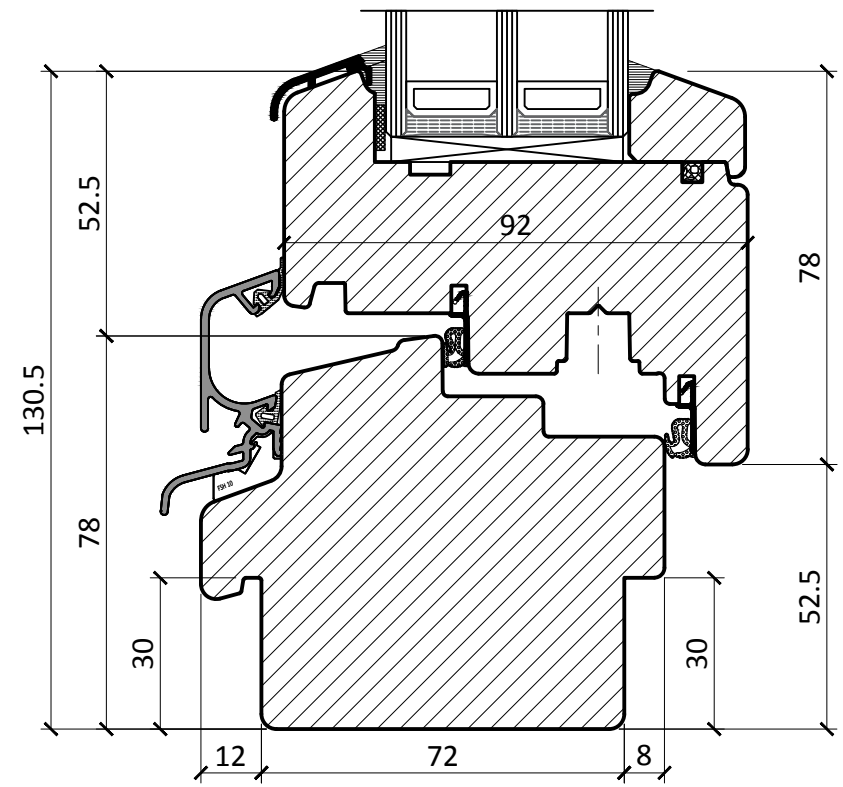
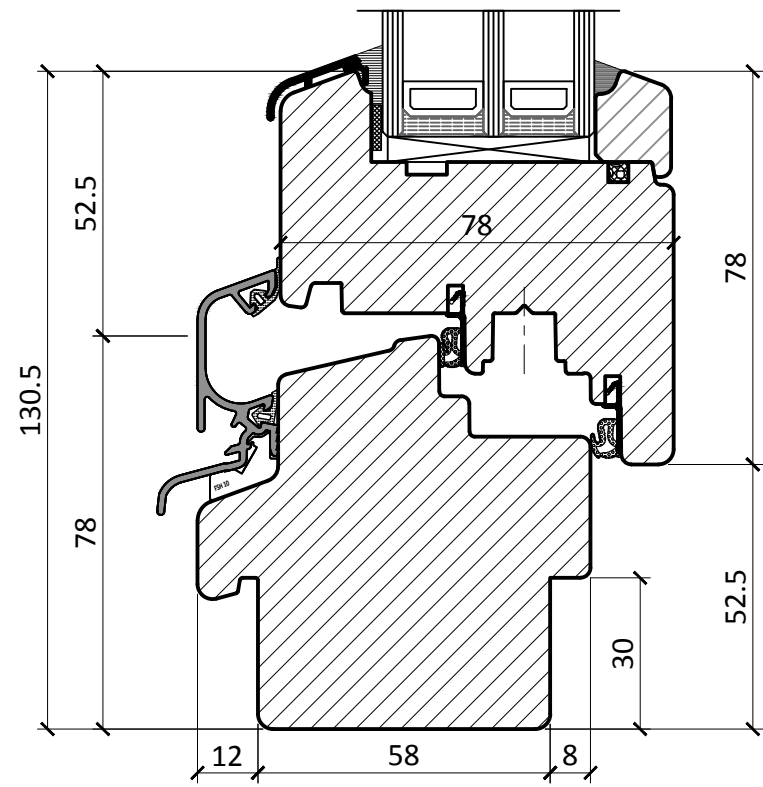
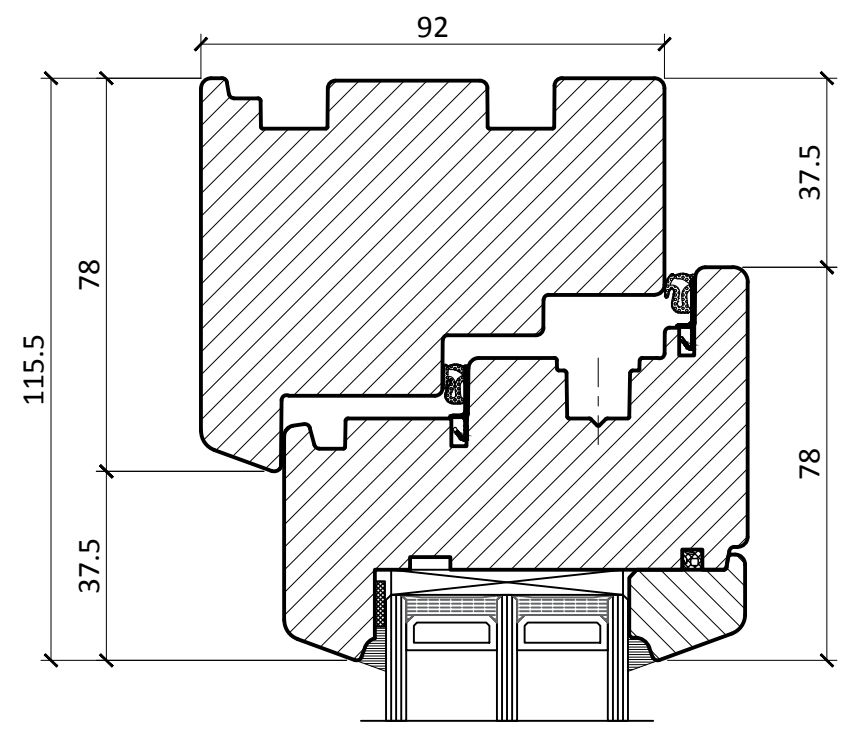
1:1.5 @ A3

CONSTRUCTION DETAILS

### Standart sash and frame



### Increased size sash and frame for higher thermal performance



TRC ARE AN ISO 9001 REGISTERED COMPANY



TRC CONTRACTS Ltd  
 Knoll House, Union Wharf,  
 Market Harborough,  
 Leicestershire LE16 7UW  
 Tel: +44 (0)1858 469 225  
 Fax: +44 (0)1858 469 249  
 www.trcwindows.co.uk



# TILT & TURN TIMBER WINDOW

TITLE

## CILL EXTENSION OPTIONS

DRAWING No.

TT-W-78/10

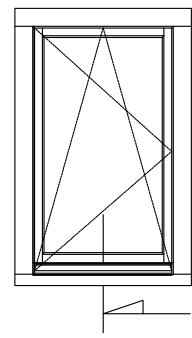
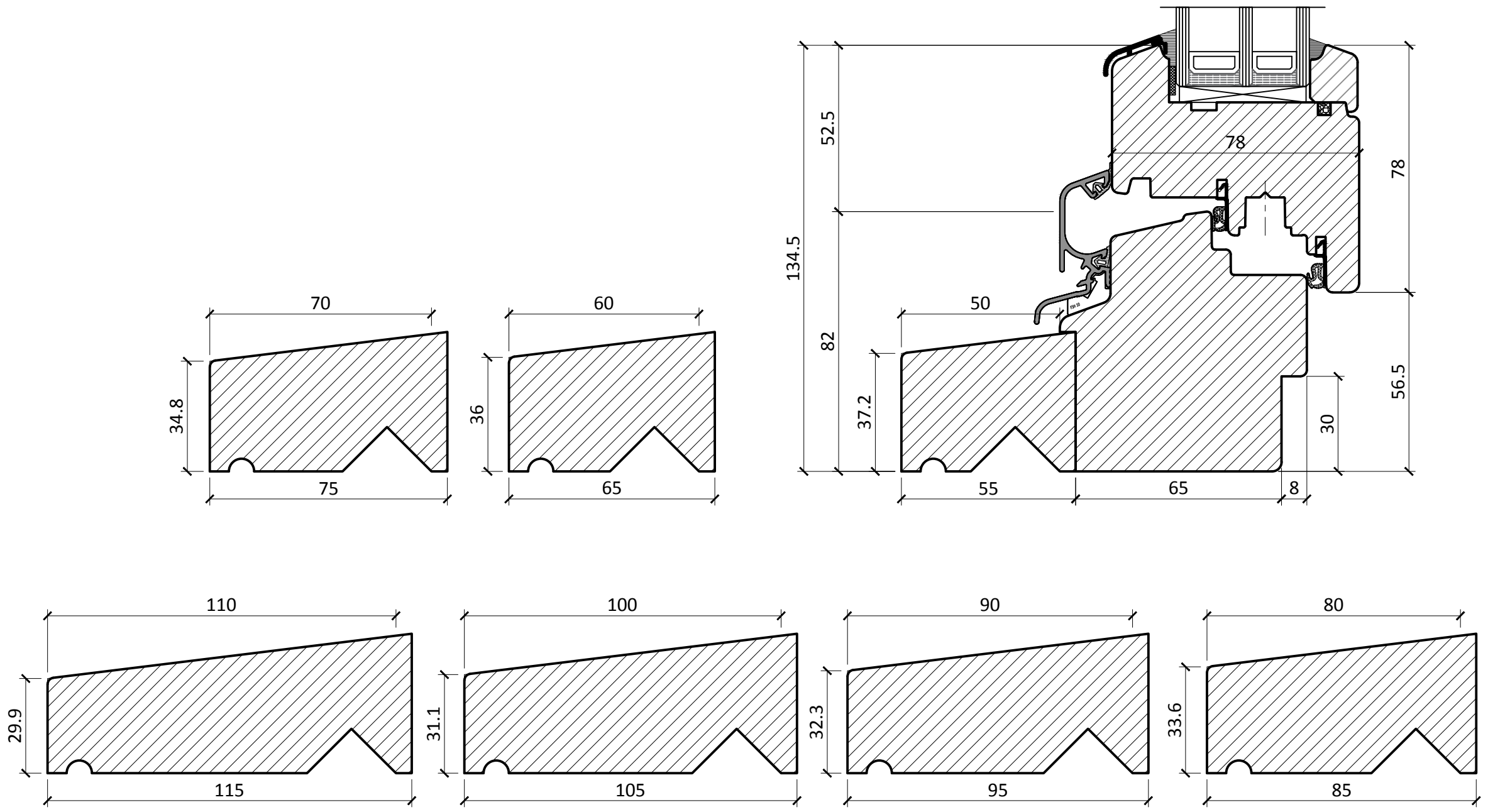
DATE

2018/06/06

SCALE

1:1.5 @ A3

CONSTRUCTION DETAILS



TRC CONTRACTS Ltd  
 Knoll House, Union Wharf,  
 Market Harborough,  
 Leicestershire LE16 7UW  
 Tel: +44 (0)1858 469 225  
 Fax: +44 (0)1858 469 249  
 www.trcwindows.co.uk

TRC ARE AN ISO 9001 REGISTERED COMPANY



# TILT & TURN TIMBER WINDOW

TITLE

## TRICKLE VENT

DRAWING No.

### TT-W-78/11

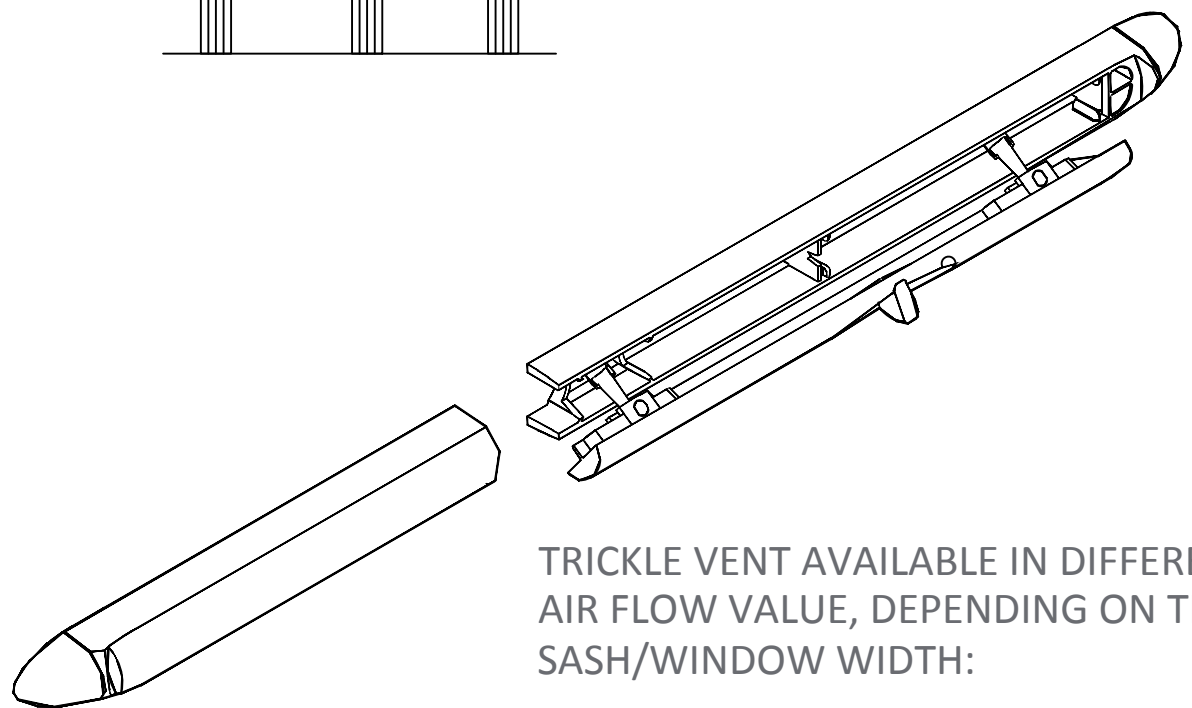
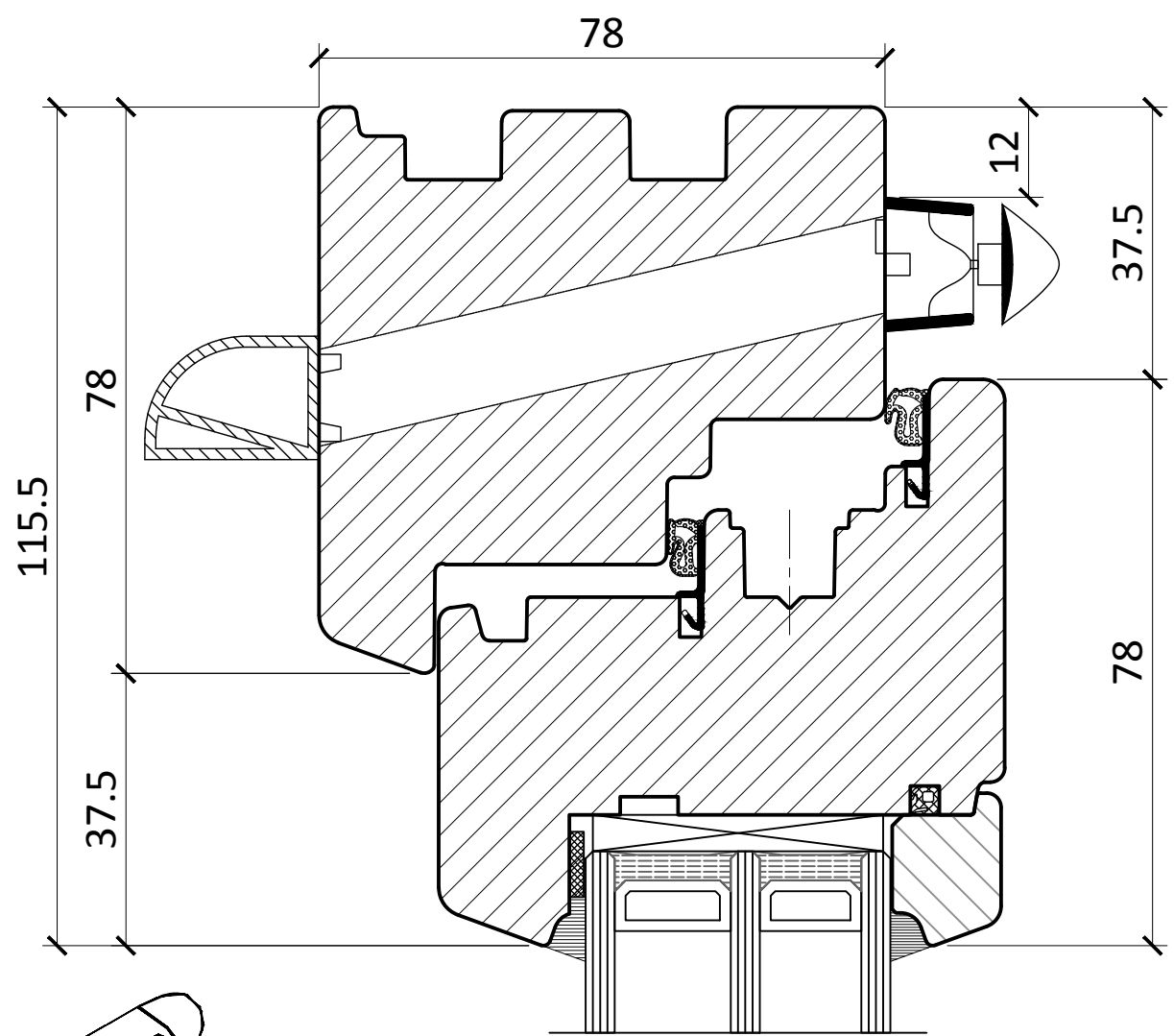
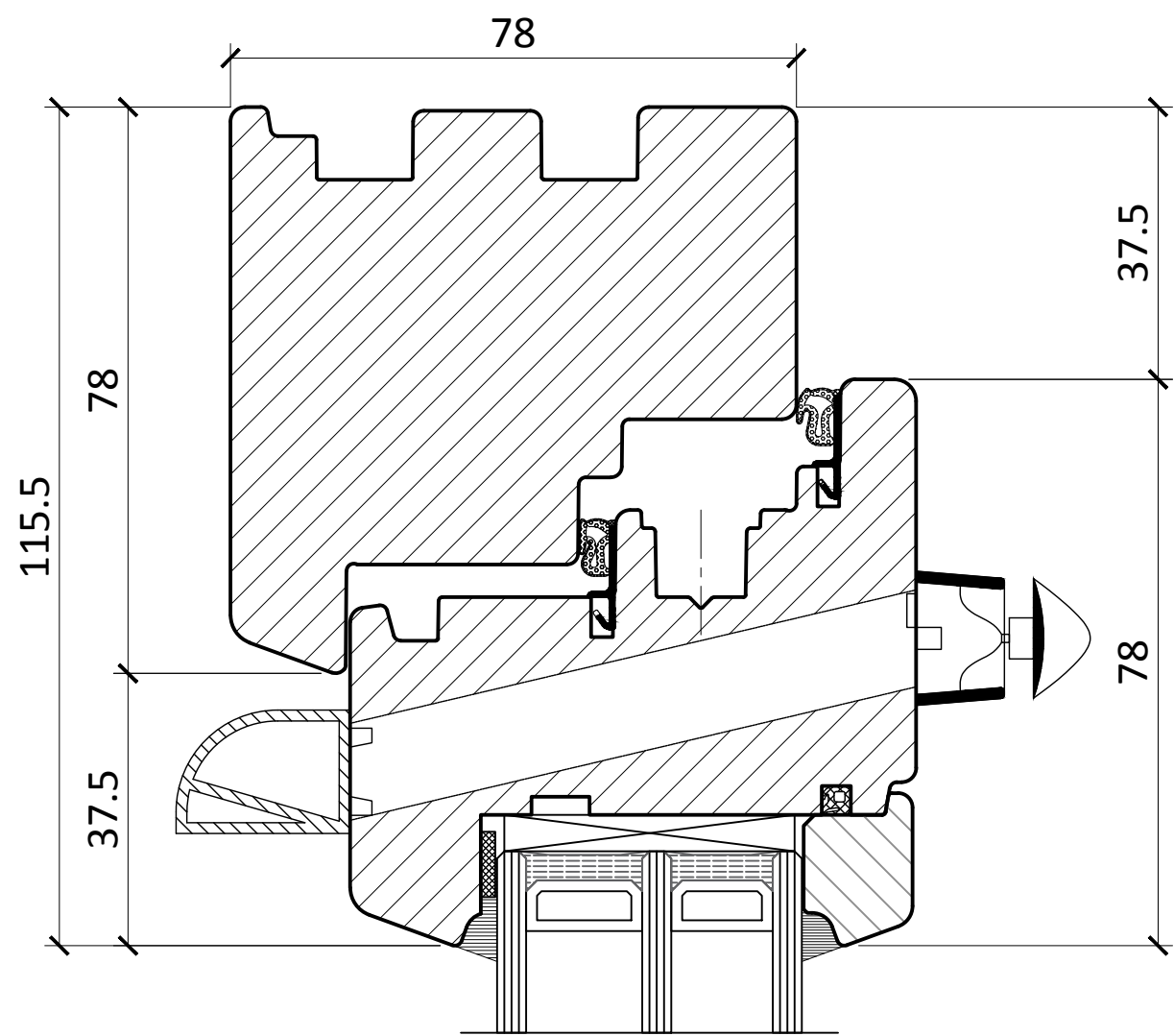
DATE

2018/06/06

SCALE

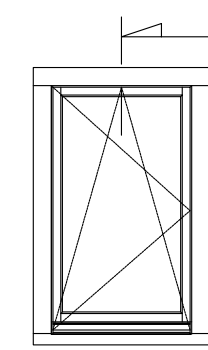
1:1 @ A3

CONSTRUCTION DETAILS



TRICKLE VENT AVAILABLE IN DIFFERENT  
AIR FLOW VALUE, DEPENDING ON THE  
SASH/WINDOW WIDTH:

- \* - 1700 mm<sup>2</sup> EA
- \* - 4400 mm<sup>2</sup> EA
- \* - 5000 mm<sup>2</sup> EA



TRC ARE AN ISO 9001 REGISTERED COMPANY



TRC CONTRACTS Ltd  
Knoll House, Union Wharf,  
Market Harborough,  
Leicestershire LE16 7UW  
Tel: +44 (0)1858 469 225  
Fax: +44 (0)1858 469 249  
[www.trcwindows.co.uk](http://www.trcwindows.co.uk)

