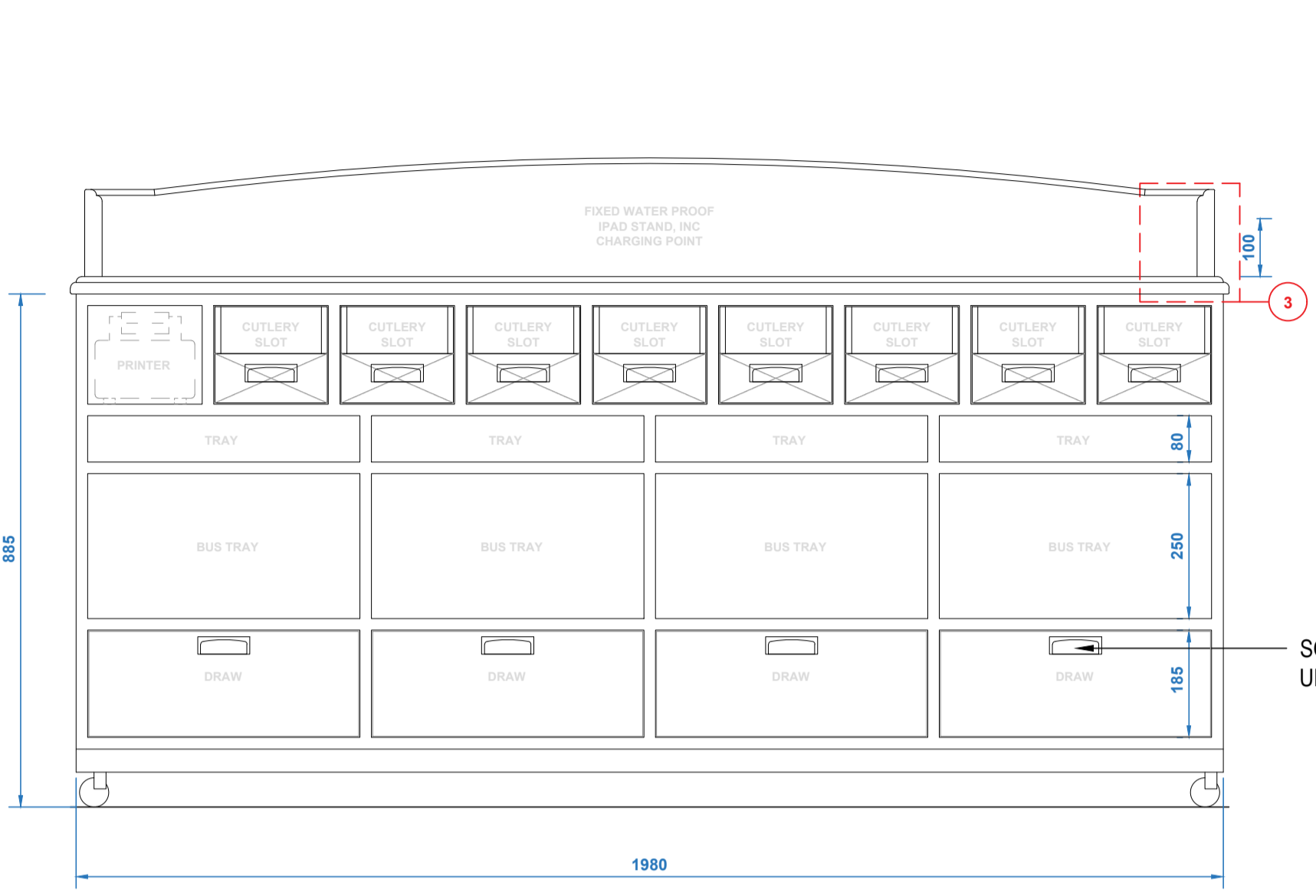
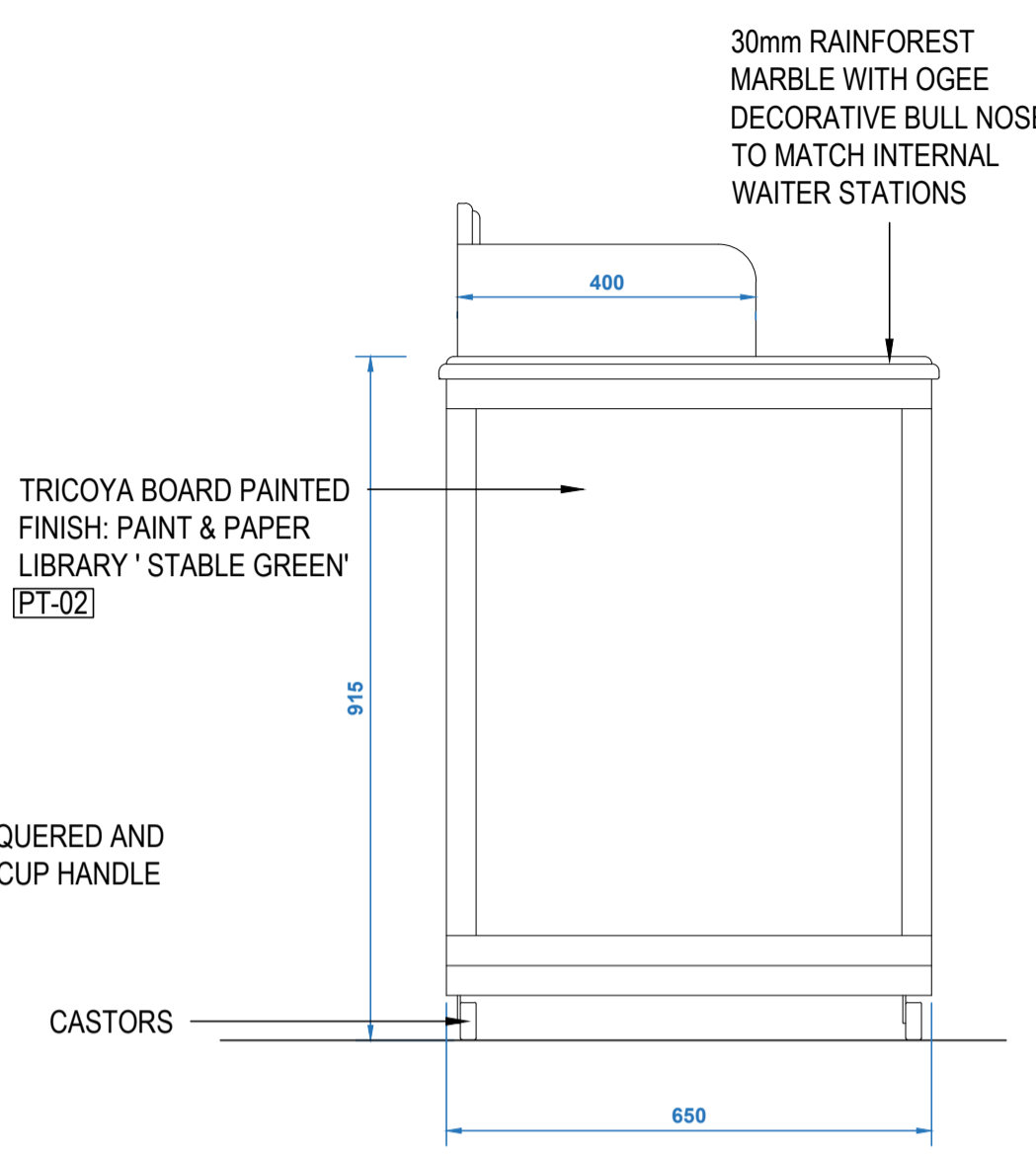


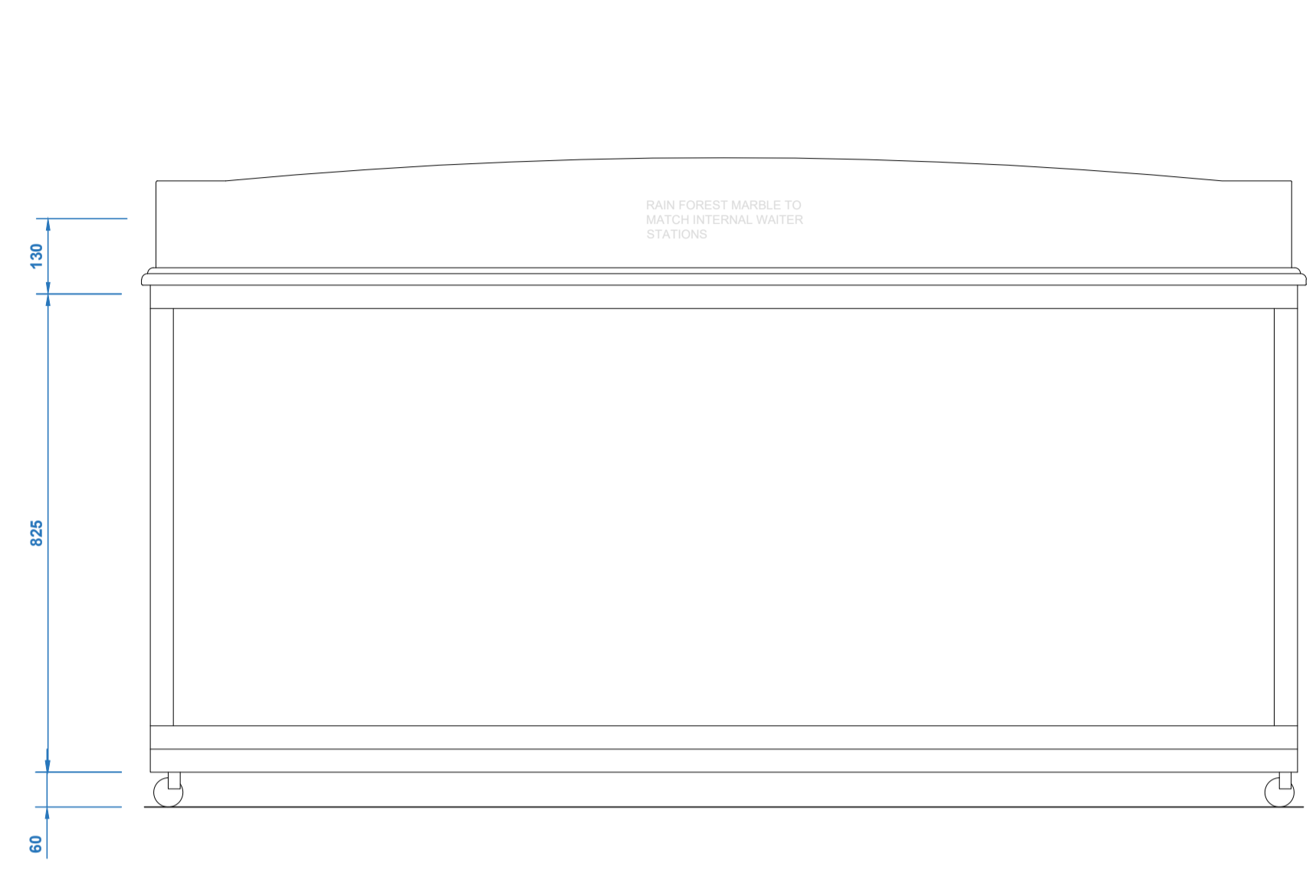
**GENERAL NOTES**  
 ALL DIMENSIONS TO BE CHECKED ON SITE PRIOR TO COMMENCEMENT OF WORKS - PLEASE REPORT ERRORS OR OMISSIONS TO THE ARCHITECT.  
 THIS DRAWING HAS BEEN PRODUCED FOR THE PURPOSES OF PLANNING AND BUILDING REGULATIONS APPROVALS ONLY AND IS NOT INTENDED TO BE A FULL WORKING DRAWING.  
 THIS DRAWING IS TO BE READ IN CONJUNCTION WITH ANY WRITTEN SPECIFICATIONS, SCHEDULES OF WORK AND STRUCTURAL ENGINEERS DETAILS AS APPROPRIATE.  
 THIS DRAWING IS THE COPYRIGHT OF PUMPHOUSE DESIGNS AND ANY FURTHER REPRODUCTION OF THE PLAN IS NOT PERMITTED WITHOUT OBTAINING PRIOR CONSENT.  
 © CROWN COPYRIGHT 2024 - LICENCE NO. 100032237



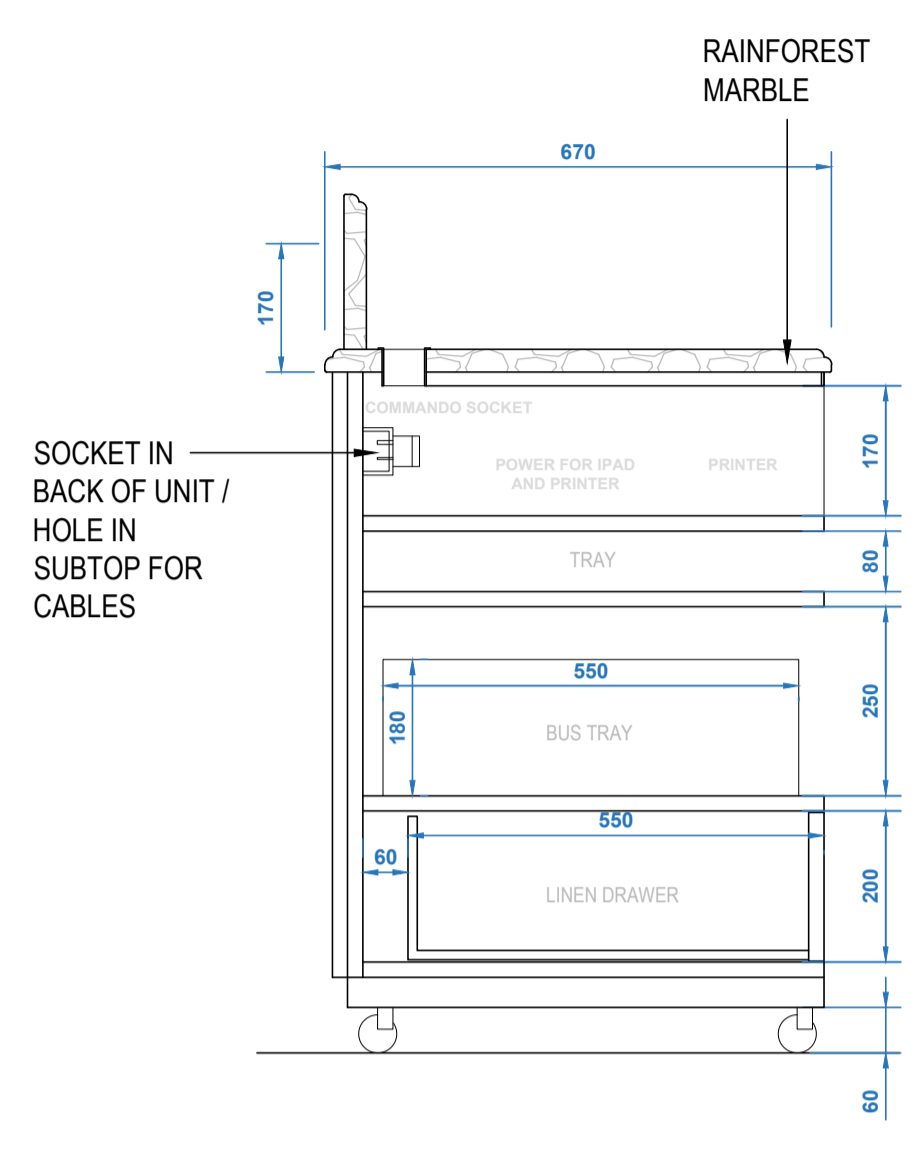
**FRONT ELEVATION**  
SCALE 1:10 @ A1



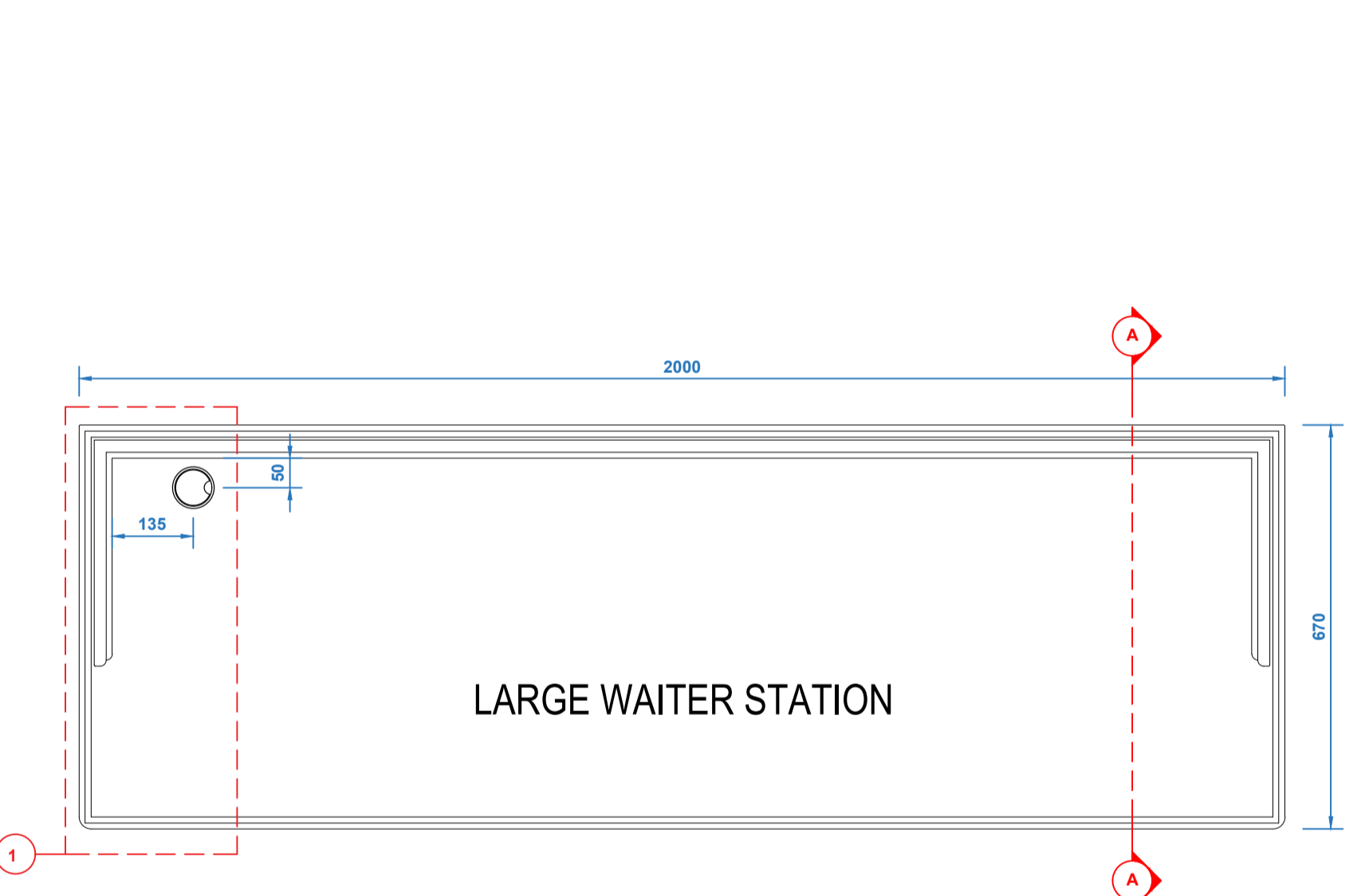
**SIDE ELEVATION**  
SCALE 1:10 @ A1



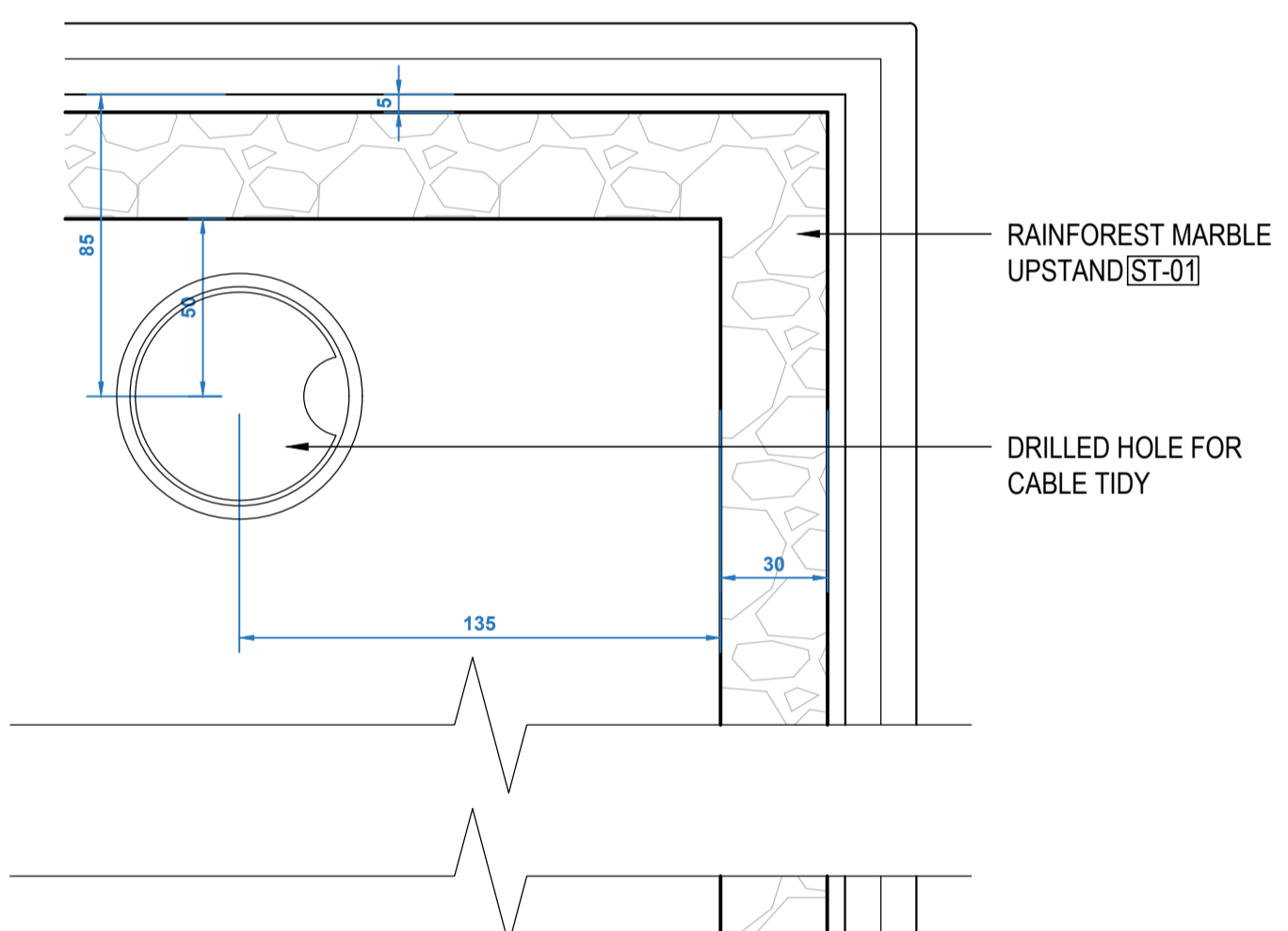
**BACK ELEVATION**  
SCALE 1:10 @ A1



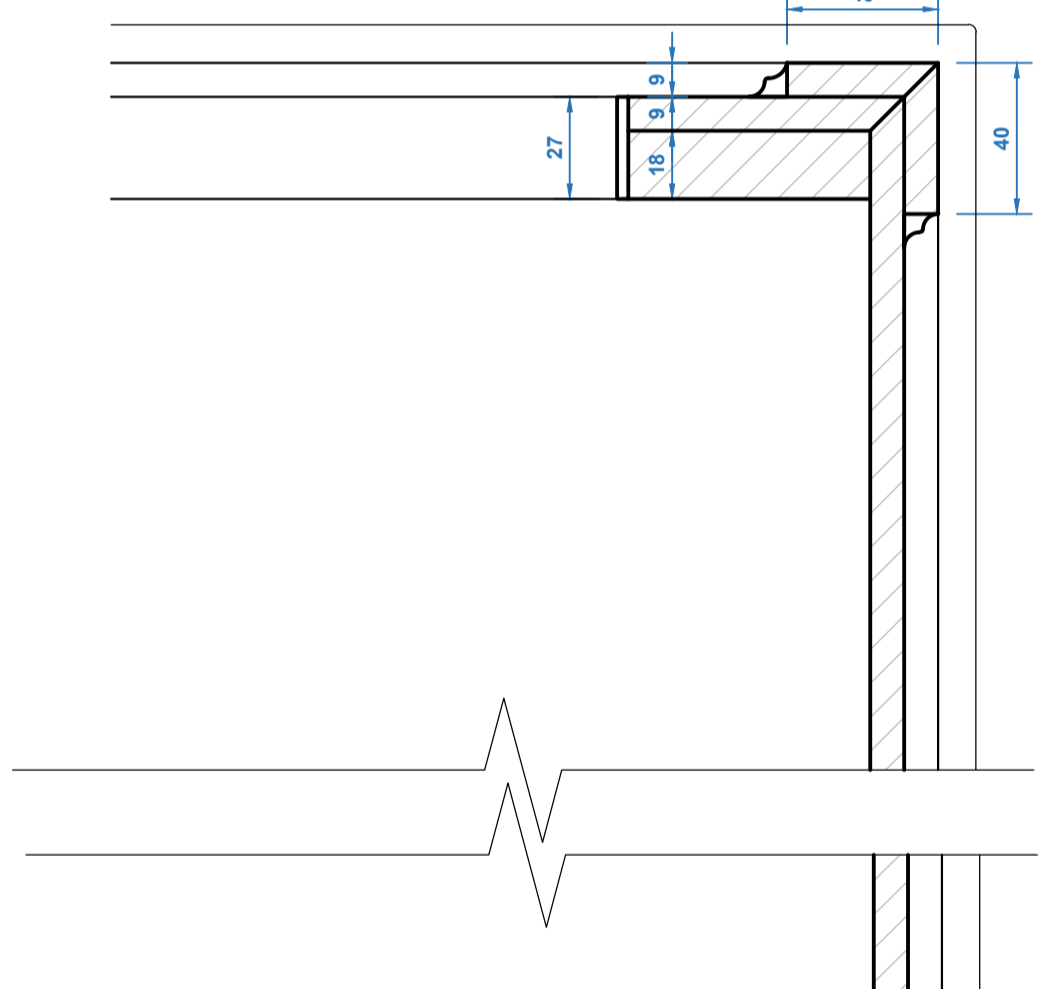
**SECTION A-A**  
SCALE 1:10 @ A1



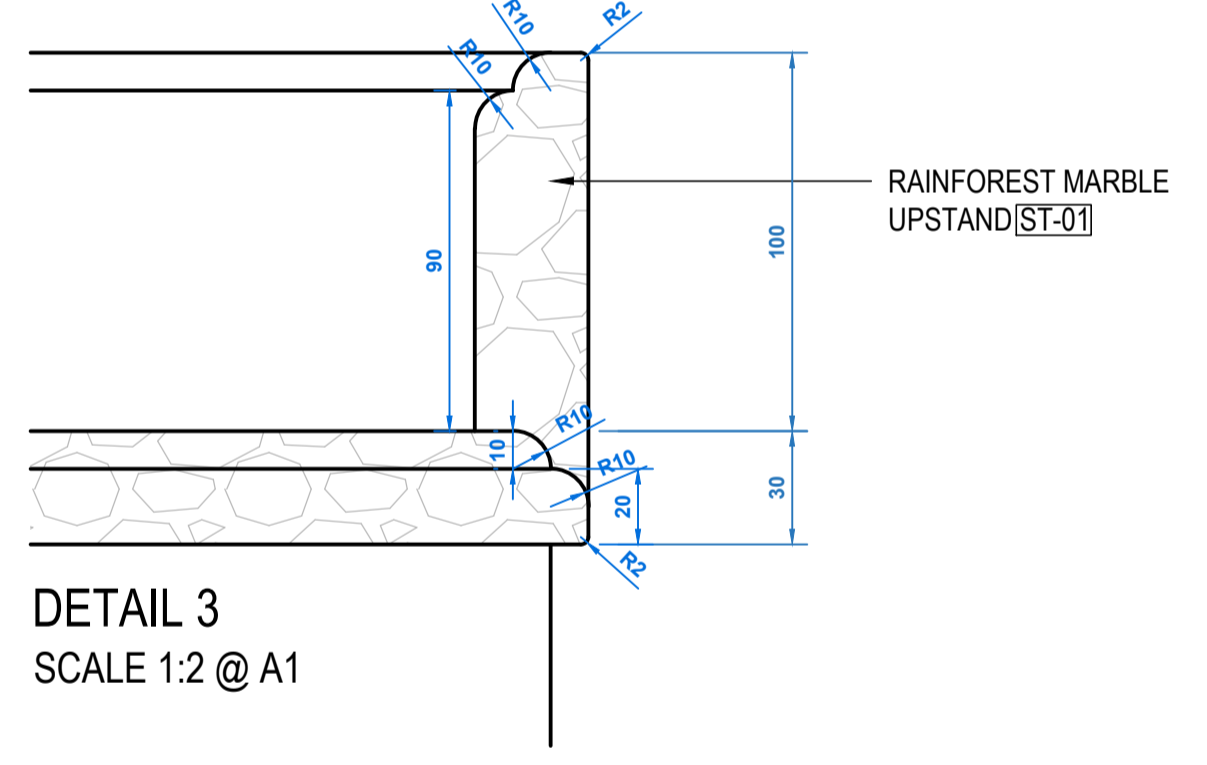
**PLAN**  
SCALE 1:10 @ A1



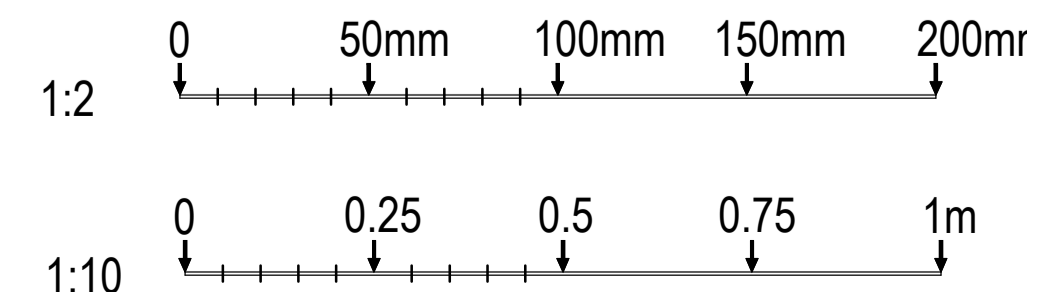
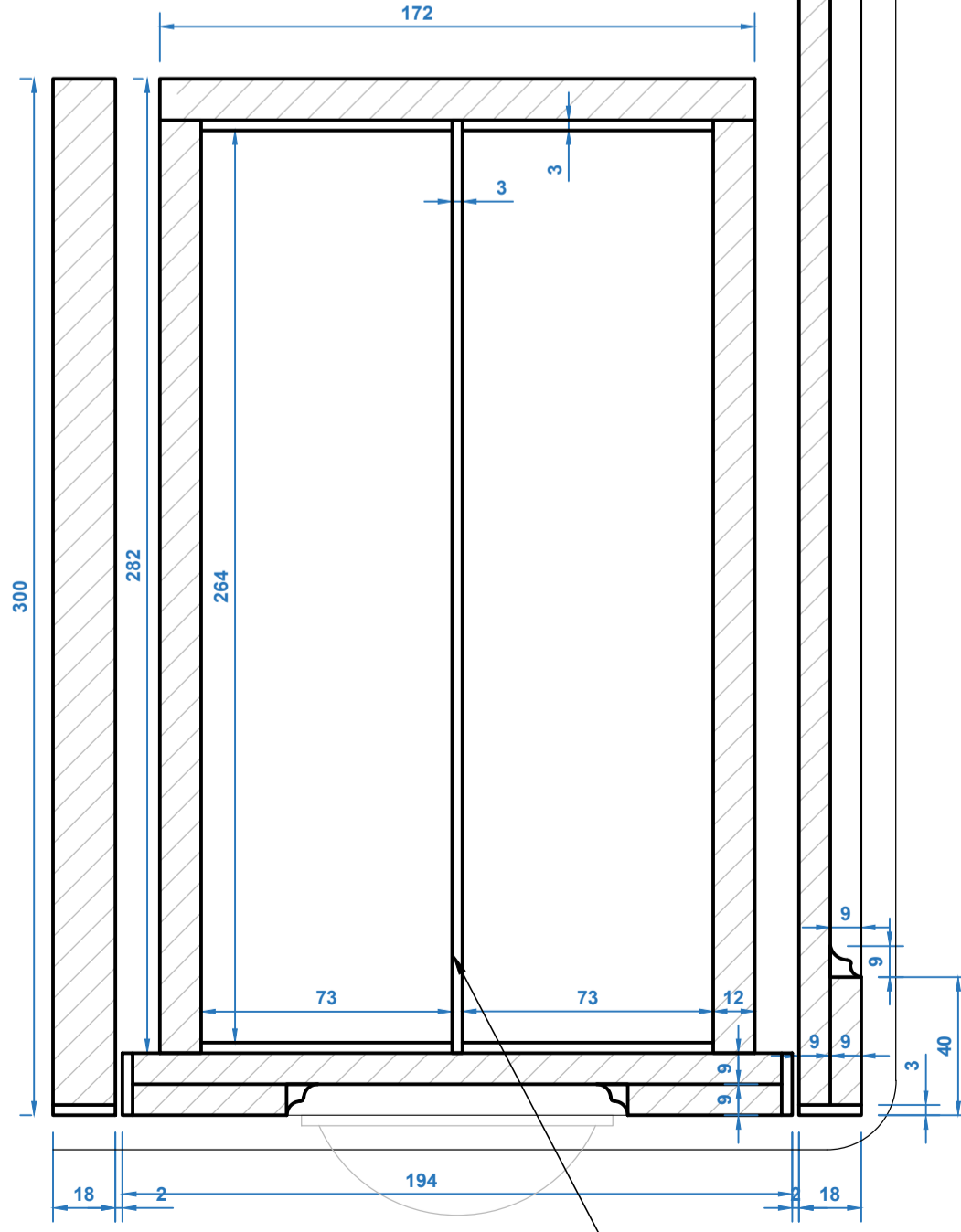
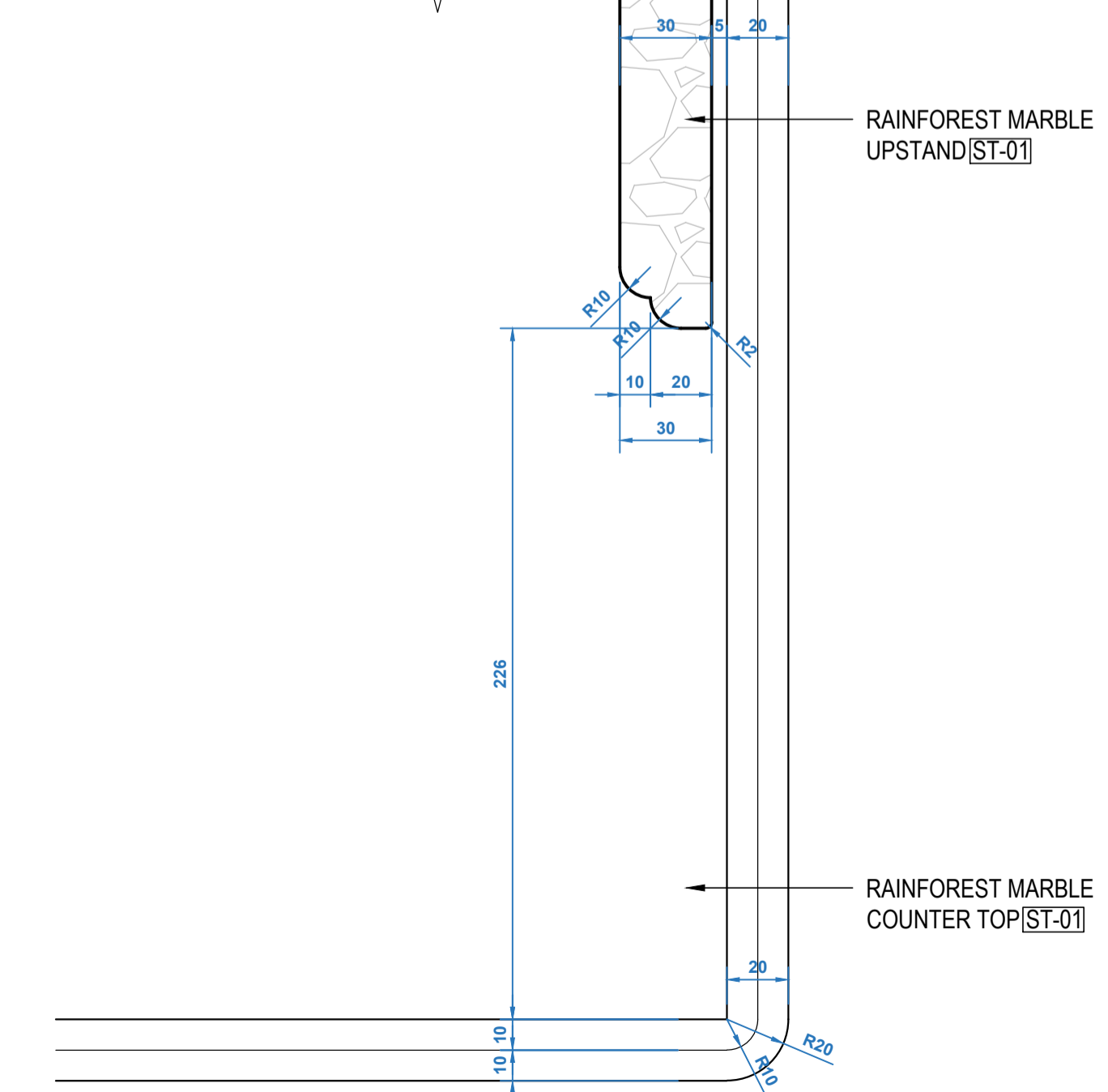
**DETAIL 1**  
SCALE 1:2 @ A1



**CUTLERY SLOT DETAIL**  
SCALE 1:2 @ A1



**DETAIL 3**  
SCALE 1:2 @ A1



**NOTE**  
DO NOT SCALE FROM THIS DRAWING. ALL DIMENSIONS ARE TO BE CHECKED ON SITE PRIOR TO MANUFACTURE/CONSTRUCTION. ANY DISCREPANCIES ARE TO BE REPORTED TO PUMPHOUSE DESIGNS

**NOTE**  
SHOP DRAWINGS TO BE PROVIDED FOR SIGN OFF BEFORE MANUFACTURE

F			
E			
D			
C			
B			
A			

DETAIL AMENDED \_\_\_\_\_ SM 21.11.24  
 REV DESCRIPTION \_\_\_\_\_ BY DATE

**PUMPHOUSE DESIGNS**  
 Architectural & Interior Design Consultants

01424 info@pumphousedesigns.co.uk  
 CLIF FT12U

PROJECT  
 HARRY'S KING'S CROSS  
 UNIT 1, ONE PANCRAS SQUARE  
 KING'S CROSS CENTRAL, LONDON  
 N1C 4AG

DRAWING  
 DETAILS - EXTERNAL LARGE WAITER STATION

FIRST ISSUE \_\_\_\_\_ DRAWN BY \_\_\_\_\_ SCALE @ A1  
 AUGUST 2024 S MALLORCA 1:2/10  
 DRAWING NO.  
 7970 / 958 / A