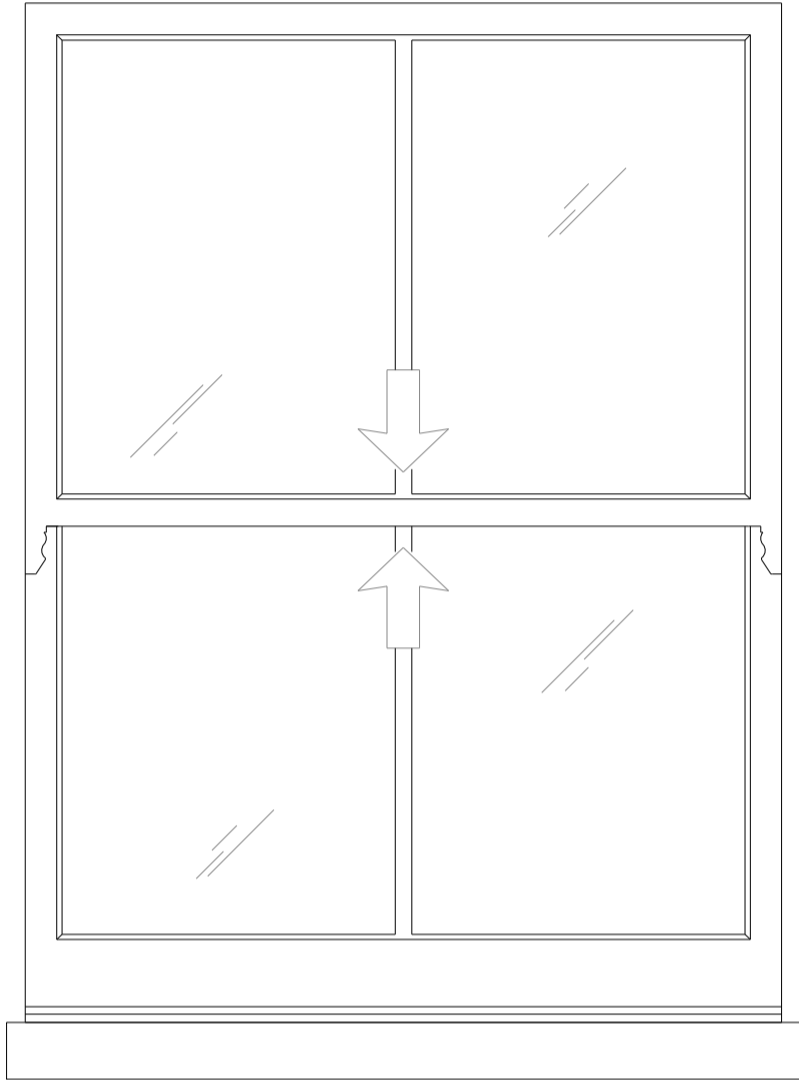
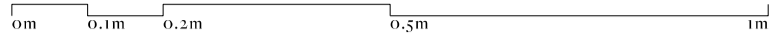
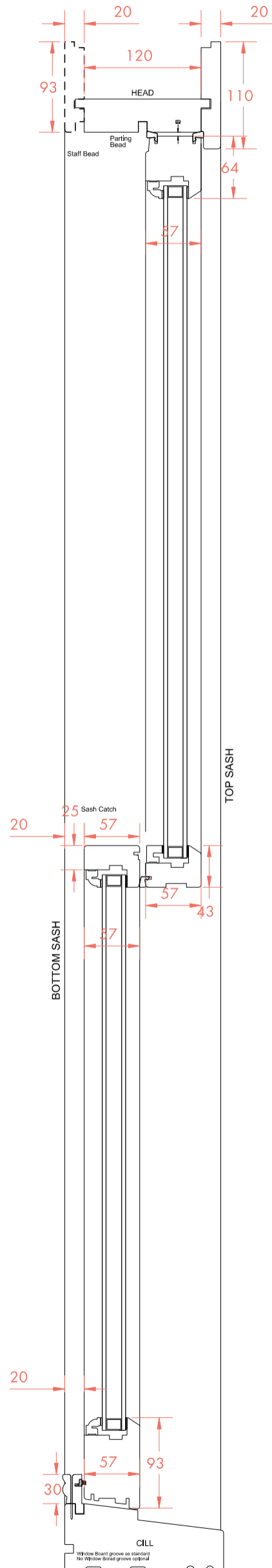


Typical Sash Window

Elevation
1:10 @ A3



Section
1:5 @ A3



Notes.

Do not scale from this drawing.

Verify all dimensions on site.

Demolition to be approved by a Structural Engineer prior to commencement.

For purpose as per the status of the drawing only - not for Construction.

Re-routing of existing and running of new pipe work and drainage to be to contractor's design.

All works to be in accordance with current Building Regulations and Structural Engineer's information.

Copyright © Studio Werc Limited trading as 'Studio Werc Architects'.

Studio Werc Limited is a company registered in England and Wales. Registered number: 10626410



Studio Werc Architects
studiowerc.com
info@studiowerc.com

Project. 135 Constantine Road,
London, NW3 2LR

Title. Typical Sash Window Details

Number. 24091_P1_40

Status. Proposed