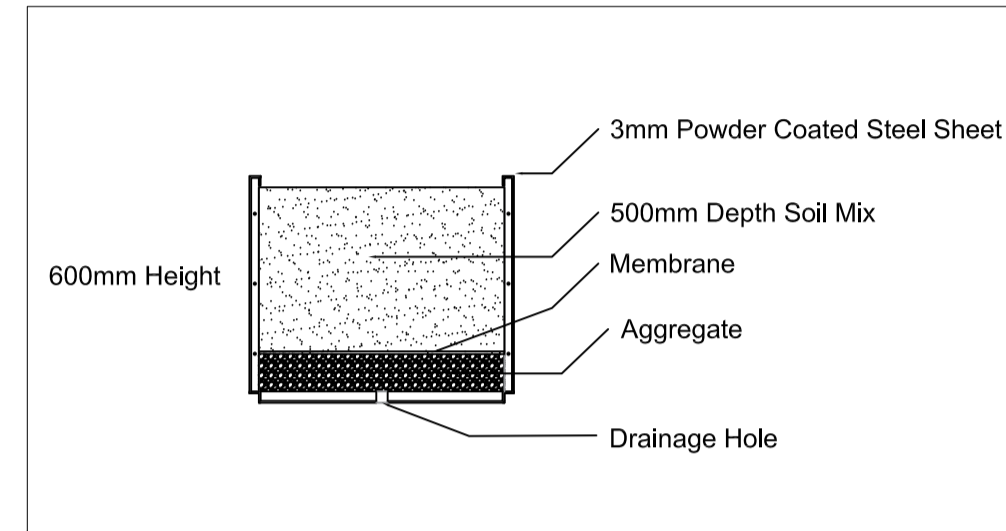


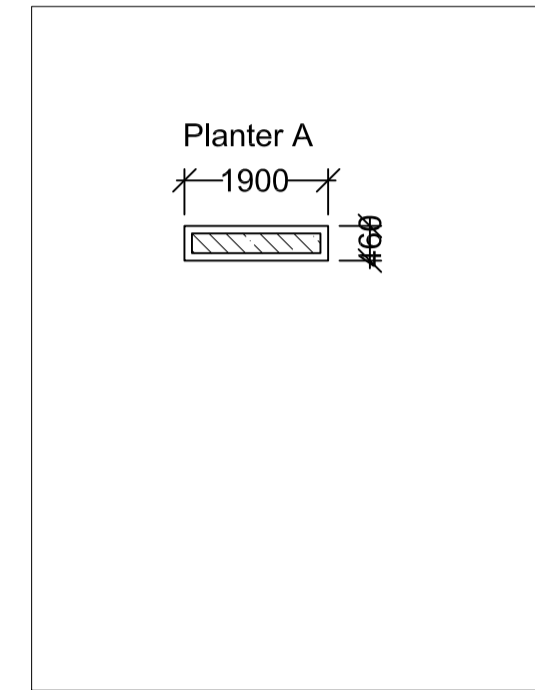
**PLANTER SCHEDULE**

Planter Ref.	Material	Colour [RAL]	Size (mm)	Notes	Quantity
A	Powder Coated Steel Planter	7024	1900 (L) x 500 (W) x 600 (H)	Lower GF	8
C	Powder Coated Steel Planter	7024	1875 (L) x 835 (W) x 600 (H)	Upper GF	2
D	Powder Coated Steel Planter	7024	10400 (L) x 800 (W) x 600 (H)	Upper GF	1
E	Powder Coated Steel Planter	7024	See Drawing	Upper GF / Shape as per drawing	1
F	Powder Coated Steel Planter	7024	Total Length - 20662	Level 2 / 4 Angles	1
G	Powder Coated Steel Planter	7024	Total Length - 9709.3	Level 4 / 2 Angles	1
H	Powder Coated Steel Planter	7024	Total Length - 6666.3	Level 4 / 2 Angles	1
I	Powder Coated Steel Planter	7024	8850 (L) x 700 (W) x 600 (H)	Level 5	1
J	Powder Coated Steel Planter	7024	7650 (L) x 710 (W) x 600 (H)	Level 5	2
K	Powder Coated Steel Planter	7024	7445 (L) x 700 (W) x 600 (H)	Level 5	1
L	Powder Coated Steel Planter	7024	3750 (L) x 3665 x 500 (W) x 515.21 x 600 (H)	Level 5	1
M	Powder Coated Steel Planter	7024	4110 (L) x 4020 x 500 (W) x 516.6 x 600 (H)	Level 5	1
N	Powder Coated Steel Planter	7024	3100 (L) x 3300 x 500 (W) x 519.7 x 600 (H)	Level 5	1
O	Powder Coated Steel Planter	7024	Total Length - 29614 mm x 600 (H)	Level 6 / 4 Angles	1
P	Powder Coated Steel Planter	7024	1500 (L) x 700 (W) x 600(H)	Level 6	1
Q	Powder Coated Steel Planter	7024	Total Length - 12 755mm x 600 (H)	Level 6	1

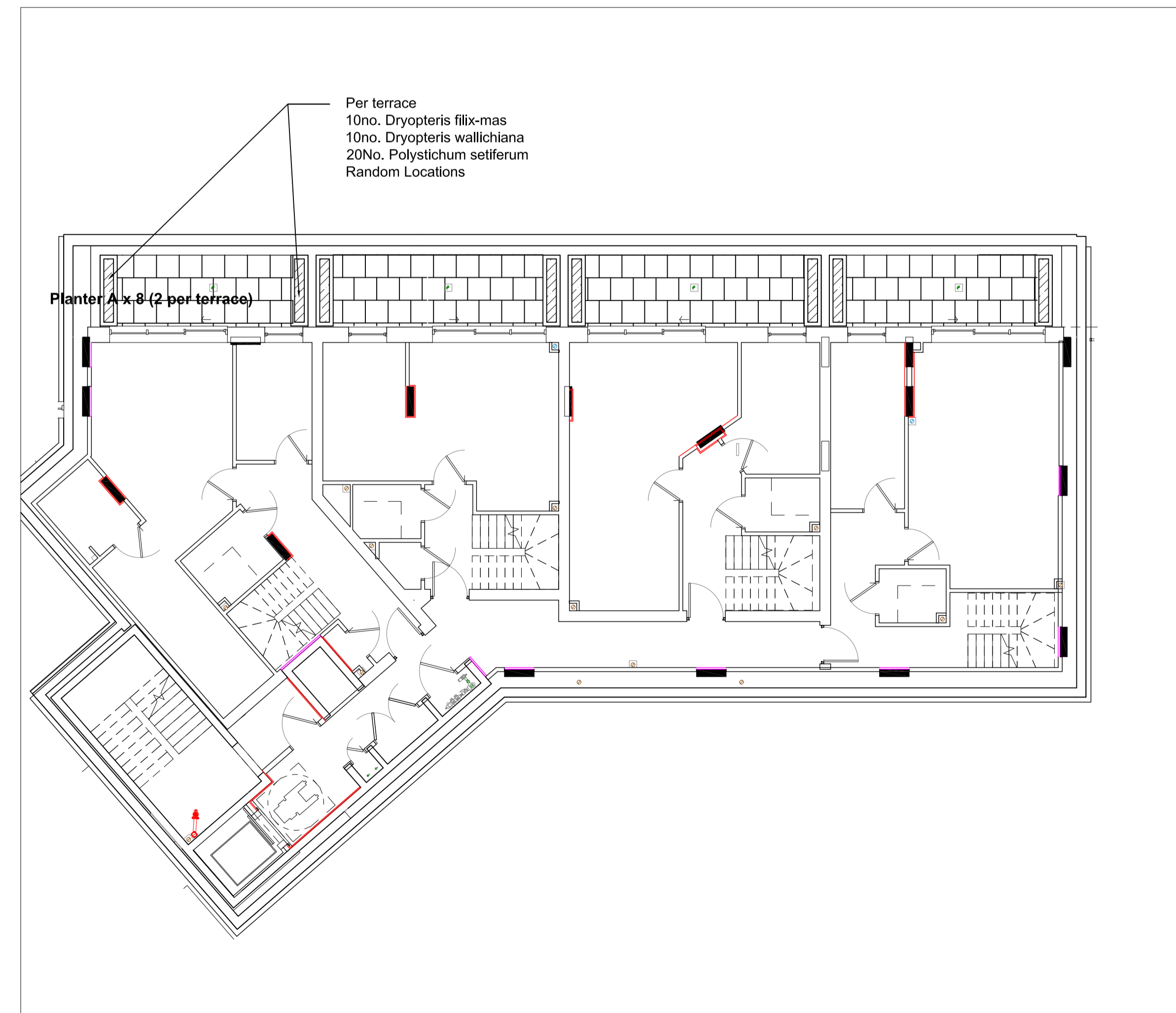
**DETAILED PLANTER SECTION 1.20@A1**



**PLANTER DETAILS**



**DETAILED AREA 1.100@A1**



**GENERAL LANDSCAPING SPECIFICATION NOTES:-**

Any existing trees to be retained and protected throughout construction period in accordance with BS 5837 2012 - Trees in Relation to Design, Demolition and Construction.

**SPECIFICATION:-**

**MATERIALS AND WORKMANSHIP**

- Materials and workmanship shall generally be in accordance with the following documents - BS3936 Nursery Stock and BS4428. Recommendations for General Landscape Operations.
- Plant material to be the sizes and dimensions as stated in the schedule and shall be healthy with good fibrous root systems.

**TREES**

- All trees to be back filled with top soil and suitable organic material (to be specified).
- All trees should be staked or double staked using pointed softwood / peeled chestnut / larch or oak stakes, free from projections and large or edge knots and tied above ground.

**SHRUBS/TREES - GENERAL**

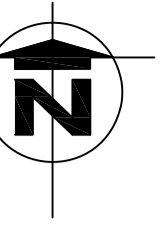
- Condition: Materially undamaged, sturdy, healthy and vigorous.
- Appearance: Of good shape and without elongated shoots.
- Hardiness: Grown in a suitable environment and hardened off.
- Health: Free from pests, diseases, discolouration, weeds and physiological disorders.
- Budded or grafted plants: Bottom worked.
- Root System and Condition: Balanced with branch system.
- Standard: The relevant parts of BS 3936.
- Species: True to Name.
- Origin/Provenance: British provenance as per the National Plant Specification.
- Names, Forms, Dimensions, Provenance and other Criteria: To BS 3936-1 Trees and Shrubs.
- All shrubs and trees to receive a 50mm layer of bark mulch.

**WATERING**

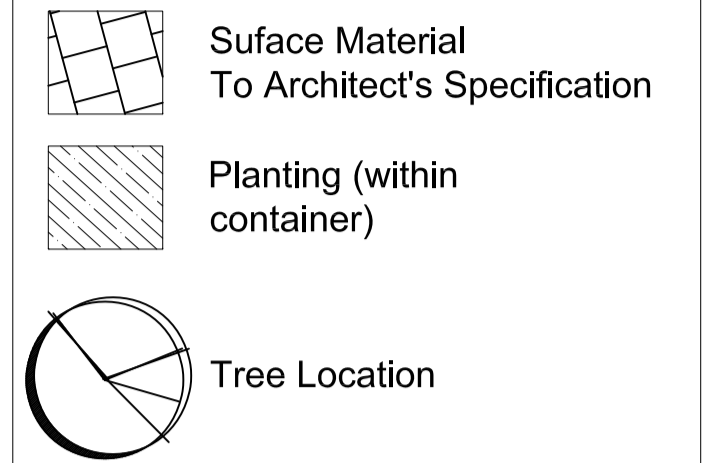
- All trees/shrubs will be watered after planting and to be watered as necessary to ensure survival.
- Any trees, shrubs, seeding works which fail within the first 5 years to be replaced inline with the species, seeding mixes and sizes as detailed on this plan.

© This drawing and the building works depicted are the copyright of RBMP Ltd and may not be reproduced except with written consent. Figured dimensions only are to be taken from this drawing. All contractors must visit the site and be responsible for taking and checking all dimensions relative to their work. Influence are to be advised of any variation between drawings and site conditions.

Do not scale off drawings. All dimensions to be checked on site.



**KEY**



**NOTES**

- 500mm depth imported topsoil mix, using class 5B/2 multi-purpose loam/sandy loam topsoil. Ameliorants, water polymer gel and slow release fertiliser mixed in.
- Irrigation instructions to be provided with occupiers management pack.

**PLANTING SCHEDULE**

Name	Common Name	Size	Notes	Condition	Quantity
<b>Trees</b>					
Liquidambar styraciflua 'Worplesdon'	Sweet Gum 'Worplesdon'	15cm girth/300cm	clear stem minimum 200cm	RB, Bushy	1
Prunus Lusitanica	Portugese Laurel	6/8cm girth	120cm stem		4
Prunus serrula 'Tibetica'	Tibetan Cherry [MS]	100cm high	3 stems minimum	RB, Bushy	4
<b>Shrubs</b>					
<b>Grasses</b>					
Carex testacea	New Zealand sedge	5L			275
Cortaderia selloana 'Aureolineata'	Pampas grass	5L			275
Deschampsia cespitosa 'Bronzeschleier'	Tufted hair grass 'Bronze veil'	5L			520
Stipa tenuifolia	Mexican feathergrass	5L			1130
<b>Ferns</b>					
Asarum europaeum	European wild ginger	9cm			2765
Asplenium scolopendrium	Hart's-tongue Fern	2L			200
Dicksonia antarctica	Tree fern	1m			8
Dryopteris filix-mas	Male fern	5L			250
Dryopteris wallichiana	Wood fern	3L			250
Polystichum setiferum	Soft shield fern	2-3L			450
<b>Ornamentals</b>					
Carex morrowii 'Ice Dance'	Japanese sedge 'Ice Dance'	3L			595
Erythronium californicum 'White Beauty'	Fawn lily	1L			350
Geranium macrorrhizum 'Spessart'	Cranesbill	9cm			850
Hedera helix 'Hibernica'	Atlantic ivy	9cm			55
Helleborus x hybridus	Lenten rose	9cm			200
Liriope muscari	Lilyturf	3L			485
Luzula sylvatica	Greater wood-rush	9cm			485
Milium effusum 'Aureum'	Bowles' golden grass	3L			1075
Miscanthus sinensis 'Kleine Silberspinne'	Little Silver Spider	3L			35
Viburnum tinus	Laurustinus	3L			90
Vinca minor alba	lesser periwinkle	9cm			1065
<b>Green/Biodiverse Roof</b>					
The Bauda Flora 3 Seed Mix		(see drawing)			(see drawing)

STATUS

**rbmp**

www.rbmp.co.uk  
studio@rbmp.co.uk / 0161 706 0158

**PROJECT**  
Haverstock Hill  
Camden

**CLIENT**  
OD Camden Hotel Ltd

**TITLE**  
Landscape Plan  
Lower Ground Floor Plan

SCALE 1:100 DATE 30.03.23

DRAWN AM CHECKED RB

**HHCAM-RBMP-00-LGF-DR-L-01**

JOB NO:	DWG NO:	REV NO:	ORIGINAL SIZE
2227	000	B	A1

