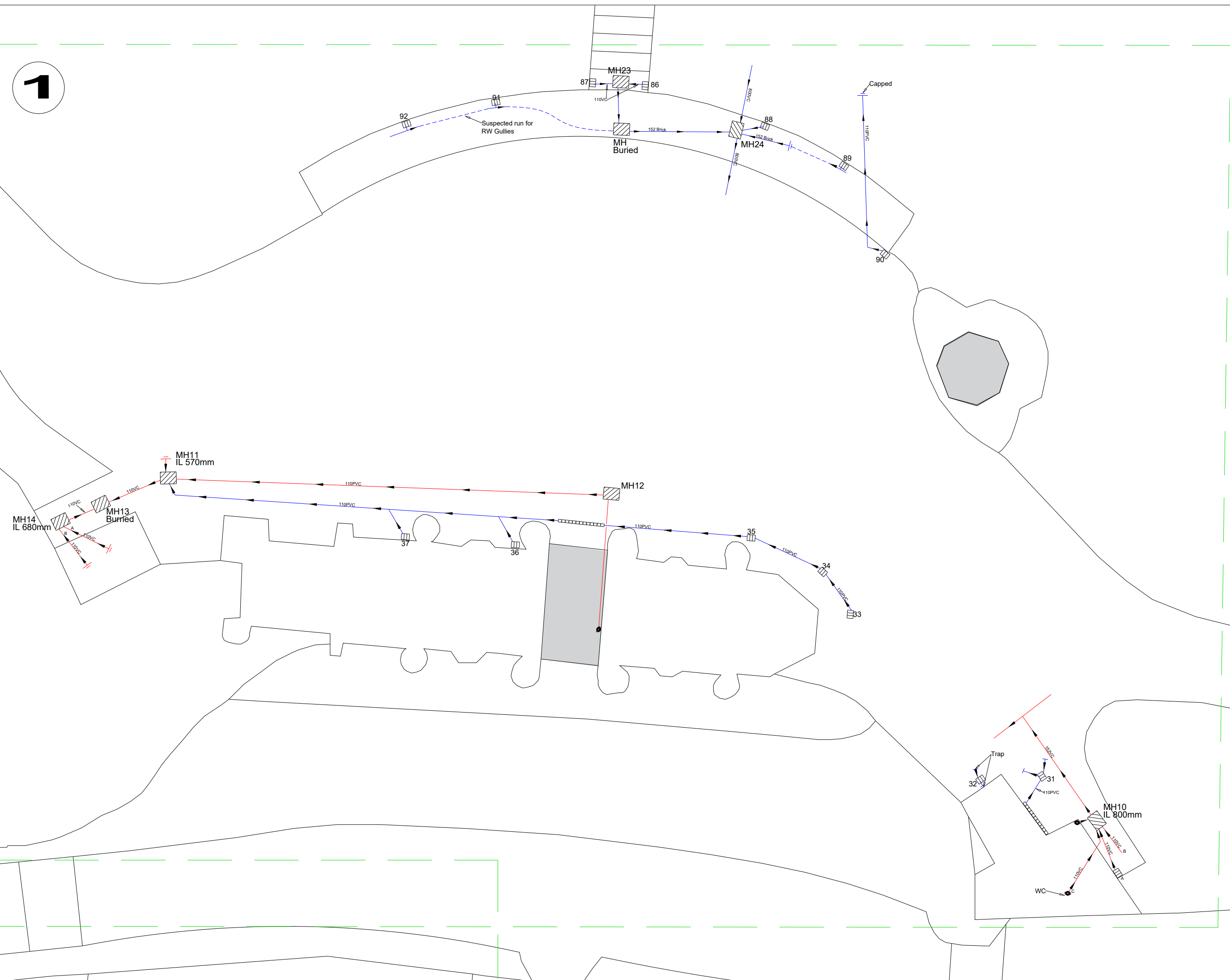


1

THE GENERAL CONTRACTOR IS TO CHECK ALL DIMENSIONS AND NOTIFY THE DESIGNERS OF ANY DISCREPANCIES OR OMISSIONS.

Symbols Key	
	Block Name
	Not Surveyed
	Pumped Run
	Foul Drain
	Storm/ Grey Water Drain
	Gully
	Manhole
	RWP
	Acco Drain
	SVP
	Survey Abandoned
	Direction of Flow
	Water Main



DATE	REVISIONS

Drainage & Asbestos
 Kent Drainage Limited Unit 10, St Laurence Avenue 20/20 Industrial Estate Maidstone Kent ME16 0LL
 TEL: 01622 919012

CLIENT

PROJECT
Highgate Cemetery
 Swain's Ln
 London
 N6 6PJ

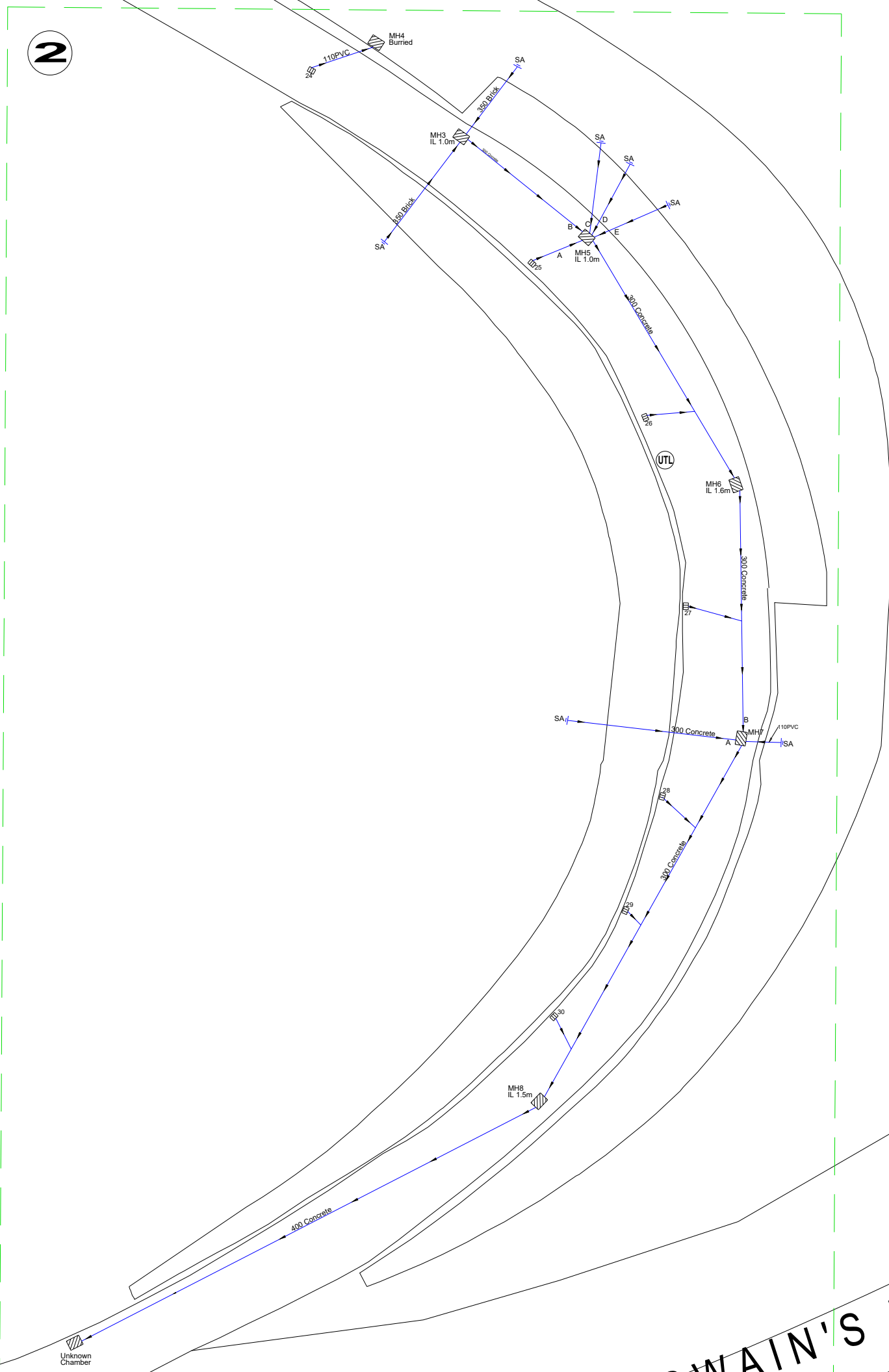
TITLE
Drainage Survey

SCALE Indicative Only - Not To Scale

DATE 20/03/2024 DRAWN SHP

DRG No. Highgate Cemetery REV. 0

2



SWAIN'S LANE

THE GENERAL CONTRACTOR IS TO CHECK ALL DIMENSIONS AND NOTIFY THE DESIGNERS OF ANY DISCREPANCIES OR OMISSIONS.

Symbols Key	
Preview	Block Name
Not Surveyed	Not Surveyed
Pumped Run	Pumped Run
Foul Drain	Foul Drain
Storm/ Grey Water Drain	Storm/ Grey Water Drain
Gully	Gully
Manhole	Manhole
RWP	RWP
Acco Drain	Acco Drain
SVP	SVP
Survey Abandoned	Survey Abandoned
Direction of Flow	Direction of Flow
Water Main	Water Main

DATE	REVISIONS

Drainage & Asbestos
 Kent Drainage Limited Unit 10, St Laurence Avenue 20/20 Industrial Estate Maidstone Kent ME16 0LL
 TEL: 01622 919012

CLIENT

PROJECT
 Highgate Cemetery
 Swain's Ln
 London
 N6 6PJ

TITLE
Drainage Survey

SCALE Indicative Only - Not To Scale

DATE 20/03/2024	DRAWN SHP
------------------------	------------------

DRG No. Highgate Cemetery	REV. 0
----------------------------------	---------------

THE GENERAL CONTRACTOR IS TO CHECK ALL DIMENSIONS AND NOTIFY THE DESIGNERS OF ANY DISCREPANCIES OR OMISSIONS.

Symbols Key	
	Block Name
	Not Surveyed
	Pumped Run
	Foul Drain
	Storm/ Grey Water Drain
	Gully
	Manhole
	RWP
	Acco Drain
	SVP
	Survey Abandoned
	Direction of Flow
	Water Main

3

2

3

110PVC

110PVC

110PVC

4

MH2
IL 520mm

MH1
IL 5.5m

MH
On Church Grounds

152Cast

WM

5

DATE	REVISIONS

Drainage & Asbestos
Kent Drainage Limited Unit 10, St Laurence Avenue 20/20 Industrial Estate Maidstone Kent ME16 0LL
TEL: 01622 919012

CLIENT

PROJECT
Highgate Cemetery
Swain's Ln
London
N6 6PJ

TITLE
Drainage Survey

SCALE Indicative Only - Not To Scale

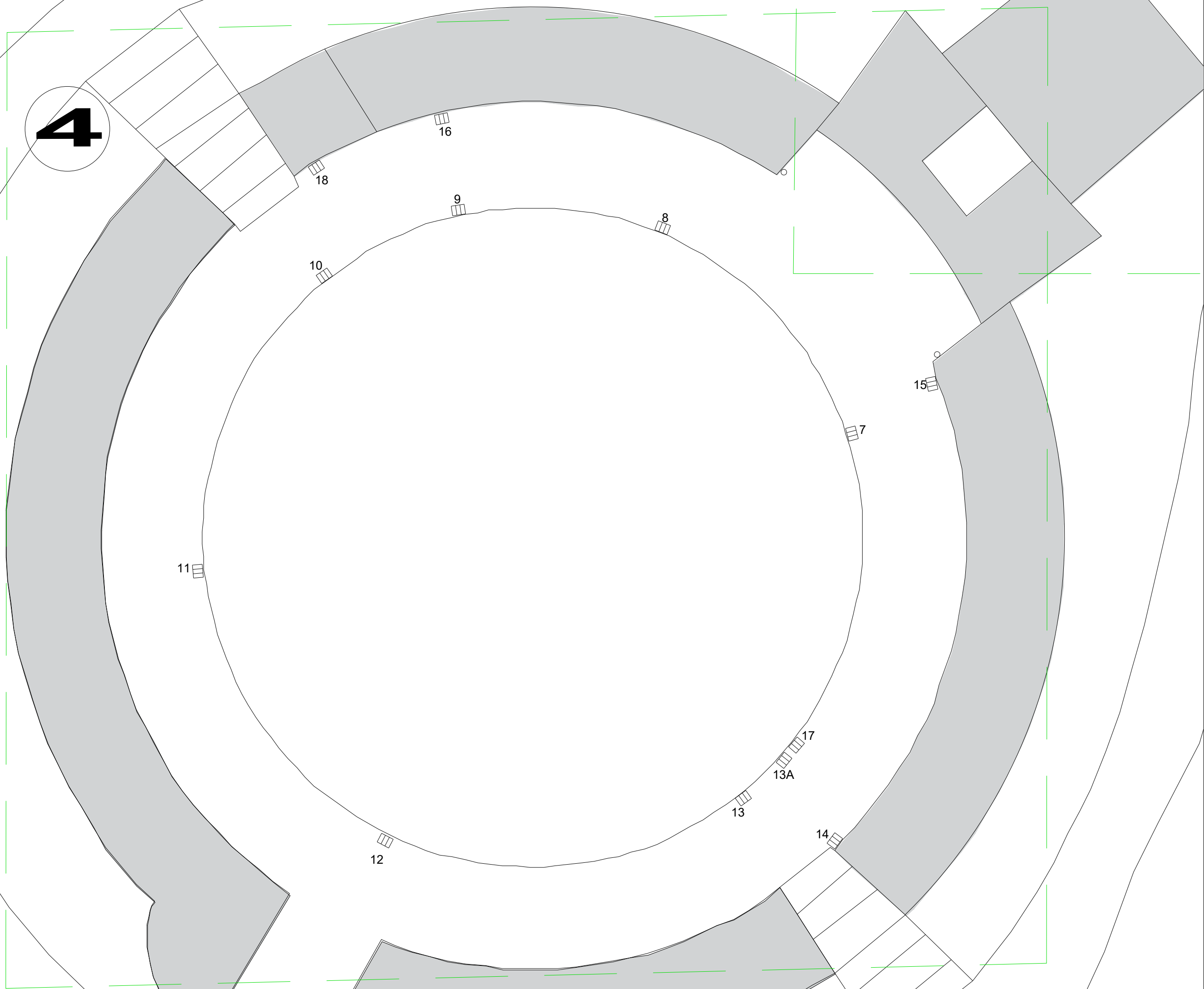
DATE 20/03/2024 DRAWN SHP

DRG No. Highgate Cemetery REV. 0

THE GENERAL CONTRACTOR IS TO CHECK ALL DIMENSIONS AND NOTIFY THE DESIGNERS OF ANY DISCREPANCIES OR OMISSIONS.

Symbols Key	
Preview	Block Name
---	Not Surveyed
---	Pumped Run
---	Foul Drain
---	Storm/ Grey Water Drain
---	Gully
---	Manhole
---	RWP
---	Acco Drain
---	SVP
SA	Survey Abandoned
---	Direction of Flow
(m)	Water Main

4



DATE	REVISIONS

KD
 Drainage & Asbestos
 Kent Drainage Limited Unit 10/11 Laurence Avenue 20/20 Industrial Estate Maidstone Kent ME16 0LL
 TEL 01622 919012

CLIENT

PROJECT
Highgate Cemetery
Swain's Ln
London
N6 6PJ

TITLE
Drainage Survey

SCALE Indicative Only - Not To Scale

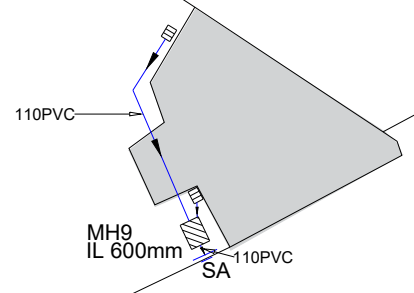
DATE 20/03/2024 DRAWN SHP

DRG No. Highgate Cemetery REV. 0

5

THE GENERAL CONTRACTOR IS TO CHECK ALL DIMENSIONS AND NOTIFY THE DESIGNERS OF ANY DISCREPANCIES OR OMISSIONS.

Symbols Key	
Preview	Block Name
Not Surveyed	Not Surveyed
Pumped Run	Pumped Run
Foul Drain	Foul Drain
Storm/ Grey Water Drain	Storm/ Grey Water Drain
Gully	Gully
Manhole	Manhole
RWP	RWP
Acco Drain	Acco Drain
SVP	SVP
Survey Abandoned	Survey Abandoned
Direction of Flow	Direction of Flow
Water Main	Water Main



DATE	REVISIONS



CLIENT

PROJECT
Highgate Cemetery
Swain's Ln
London
N6 6PJ

TITLE
Drainage Survey

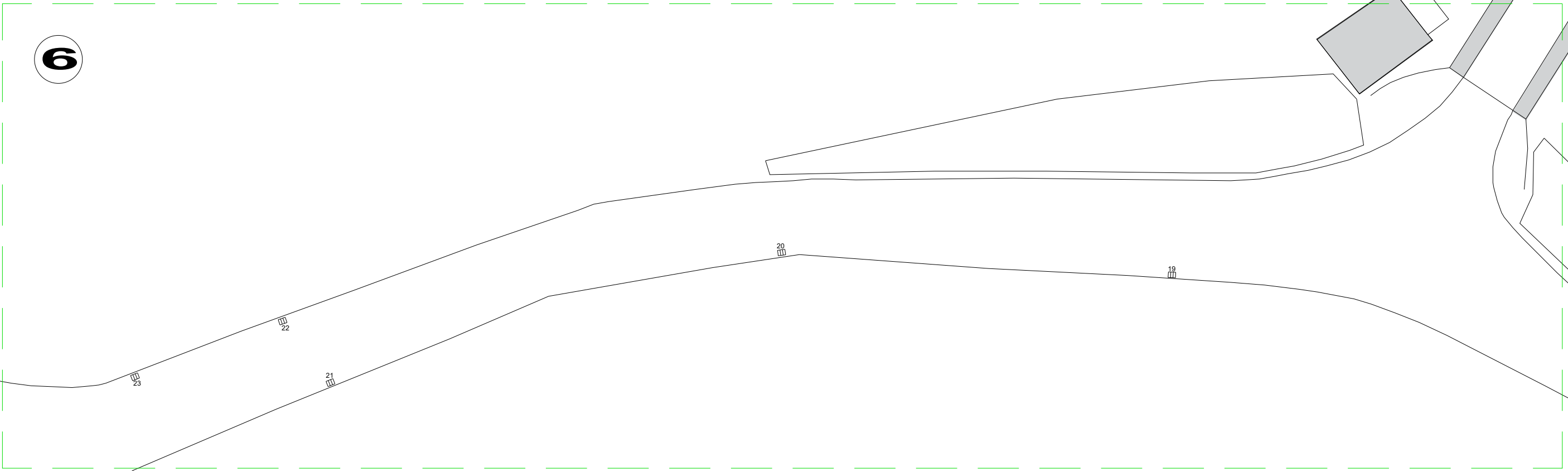
SCALE Indicative Only - Not To Scale

DATE 20/03/2024 DRAWN SHP

DRG No. Highgate Cemetery REV. 0

THE GENERAL CONTRACTOR IS TO CHECK ALL DIMENSIONS AND NOTIFY THE DESIGNERS OF ANY DISCREPANCIES OR OMISSIONS.

Symbols Key	
	Block Name
	Not Surveyed
	Pumped Run
	Foul Drain
	Storm/ Grey Water Drain
	Gully
	Manhole
	RWP
	Acco Drain
	SVP
	Survey Abandoned
	Direction of Flow
	Water Main



6

DATE	REVISIONS

Drainage & Asbestos
Kent Drainage Limited Unit 10 St Laurence Avenue 20/20 Industrial Estate Maidstone Kent ME16 0LL
TEL: 01622 919012

CLIENT

PROJECT
Highgate Cemetery
Swain's Ln
London
N6 6PJ

TITLE
Drainage Survey

SCALE Indicative Only - Not To Scale

DATE 20/03/2024 DRAWN SHP

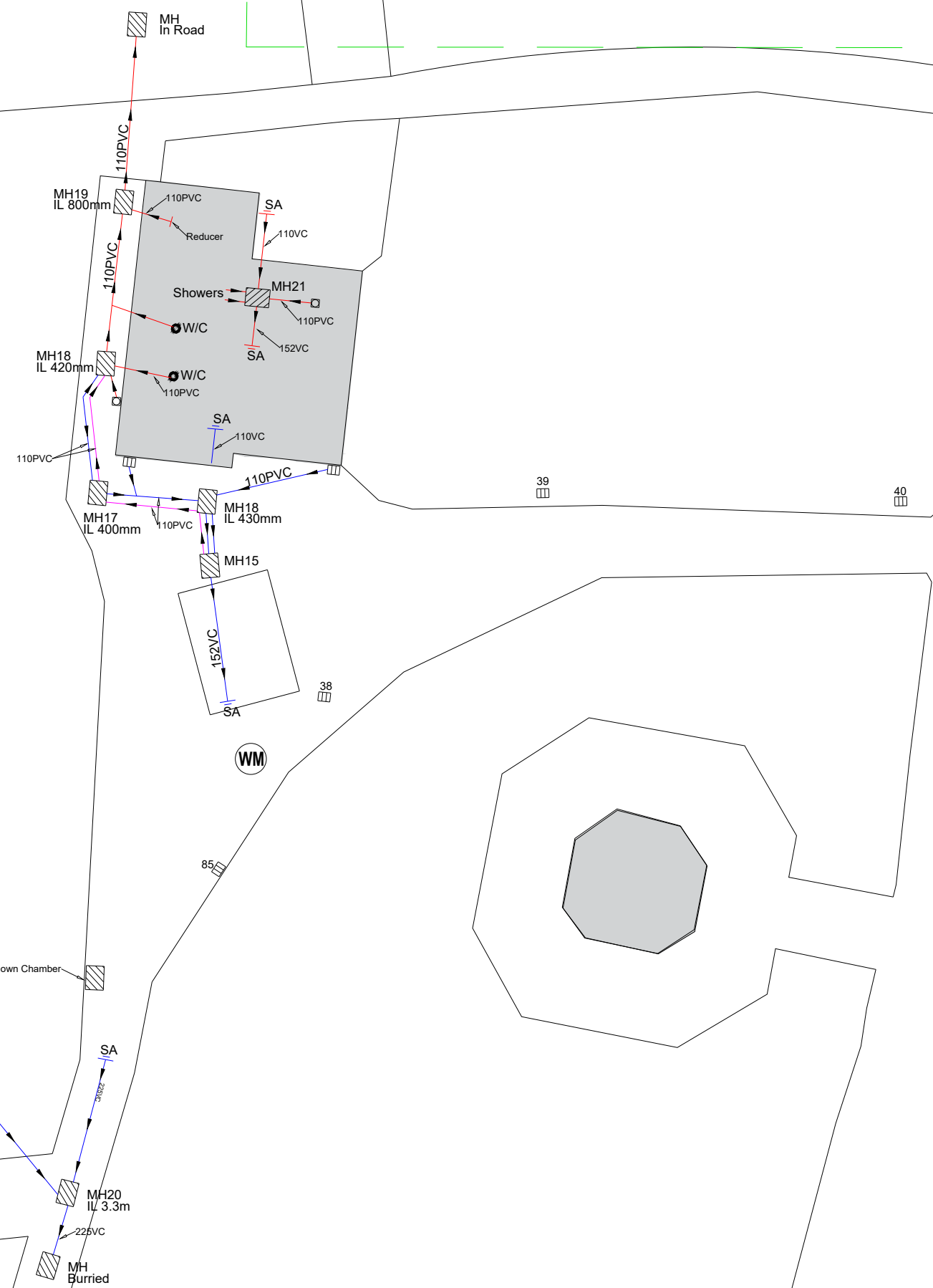
DRG No. Highgate Cemetery REV. 0

West Cemetery

THE GENERAL CONTRACTOR IS TO CHECK ALL DIMENSIONS AND NOTIFY THE DESIGNERS OF ANY DISCREPANCIES OR OMISSIONS.

Symbols Key	
Preview	Block Name
- - - - -	Not Surveyed
---	Pumped Run
---	Foul Drain
---	Storm/ Grey Water Drain
□	Gully
□	Manhole
□	RWP
□	Acco Drain
□	SVP
SA	Survey Abandoned
→	Direction of Flow
—	Water Main

7



DATE	REVISIONS

Kent Drainage & Asbestos
 Kent Drainage Limited Unit 10/11 Laurence Avenue 20/20 Industrial Estate Maidstone Kent ME16 0LL
 TEL: 01622 919012

CLIENT

PROJECT
 Highgate Cemetery
 Swain's Ln
 London
 N6 6PJ

TITLE
 Drainage Survey

SCALE Indicative Only - Not To Scale

DATE 20/03/2024 **DRAWN** SHP

DRG No. Highgate Cemetery **REV.** 0

THE GENERAL CONTRACTOR IS TO CHECK ALL DIMENSIONS AND NOTIFY THE DESIGNERS OF ANY DISCREPANCIES OR OMISSIONS.

Symbols Key	
	Block Name
	Not Surveyed
	Pumped Run
	Foul Drain
	Storm/ Grey Water Drain
	Gully
	Manhole
	RWP
	Acco Drain
	SVP
	Survey Abandoned
	Direction of Flow
	Water Main

8

WM

44

60

59

58

57

55

DATE	REVISIONS

Drainage & Asbestos
Kent Drainage Limited Unit 10, St Laurence Avenue 20/20 Industrial Estate Maidstone Kent ME16 0LL
TEL 01622 919012

CLIENT

PROJECT
Highgate Cemetery
Swain's Ln
London
N6 6PJ

TITLE

Drainage Survey

SCALE Indicative Only - Not To Scale

DATE	20/03/2024	DRAWN	SHP
------	------------	-------	-----

DRG No.	Highgate Cemetery	REV.	0
---------	-------------------	------	---

THE GENERAL CONTRACTOR IS TO CHECK ALL DIMENSIONS AND NOTIFY THE DESIGNERS OF ANY DISCREPANCIES OR OMISSIONS.

Symbols Key	
	Block Name
	Not Surveyed
	Pumped Run
	Foul Drain
	Storm/ Grey Water Drain
	Gully
	Manhole
	RWP
	Acco Drain
	SVP
	Survey Abandoned
	Direction of Flow
	Water Main

9

43

WM

44

DATE	REVISIONS



CLIENT

PROJECT
**Highgate Cemetery
 Swain's Ln
 London
 N6 6PJ**

TITLE
Drainage Survey

SCALE Indicative Only - Not To Scale

DATE 20/03/2024 DRAWN SHP

DRG No. Highgate Cemetery REV. 0

THE GENERAL CONTRACTOR IS TO CHECK ALL DIMENSIONS AND NOTIFY THE DESIGNERS OF ANY DISCREPANCIES OR OMISSIONS.

Symbols Key	
	Block Name
	Not Surveyed
	Pumped Run
	Foul Drain
	Storm/ Grey Water Drain
	Gully
	Manhole
	RWP
	Acco Drain
	SVP
	Survey Abandoned
	Direction of Flow
	Water Main

10

69

68

67

66

65

64

84

DATE	REVISIONS



CLIENT

PROJECT
Highgate Cemetery
Swain's Ln
London
N6 6PJ

TITLE
Drainage Survey

SCALE Indicative Only - Not To Scale

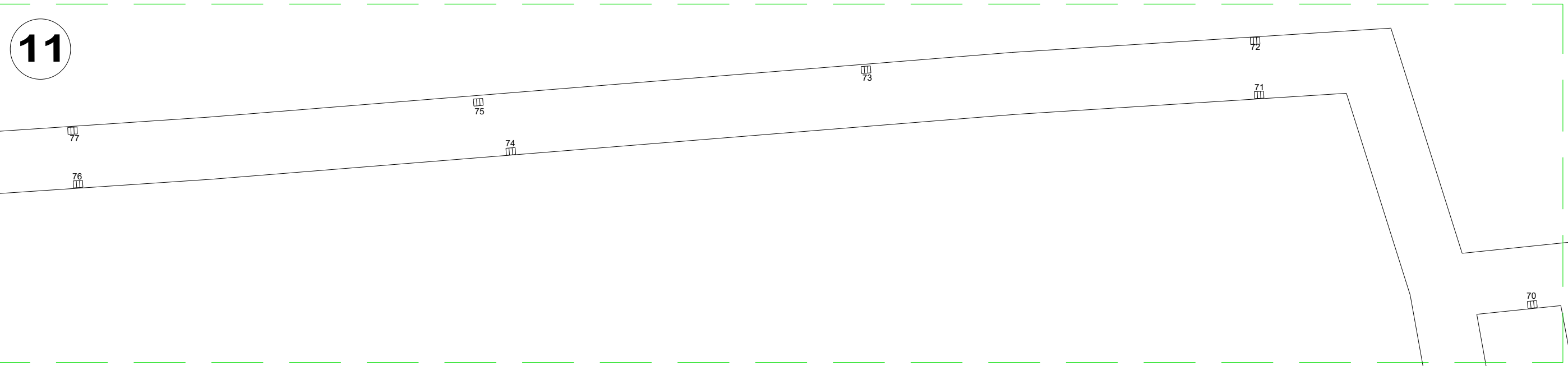
DATE 20/03/2024 DRAWN SHP

DRG No. Highgate Cemetery REV. 0

THE GENERAL CONTRACTOR IS TO CHECK ALL DIMENSIONS AND NOTIFY THE DESIGNERS OF ANY DISCREPANCIES OR OMISSIONS.

Symbols Key	
	Block Name
	Not Surveyed
	Pumped Run
	Foul Drain
	Storm/ Grey Water Drain
	Gully
	Manhole
	RWP
	Acco Drain
	SVP
	Survey Abandoned
	Direction of Flow
	Water Main

11



14

Shaft D

DATE	REVISIONS

Drainage & Asbestos
Kent Drainage Limited Unit 10/11 Laurence Avenue 20/20 Industrial Estate Maidstone Kent ME16 0LL
TEL 01622 919012

CLIENT

PROJECT
Highgate Cemetery
Swain's Ln
London
N6 6PJ

TITLE

Drainage Survey

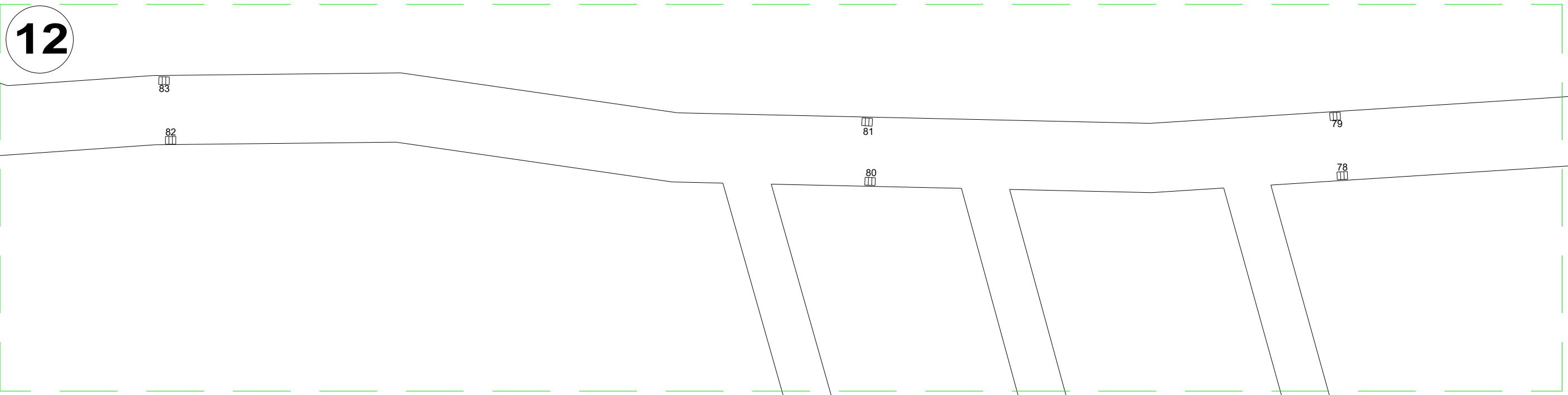
SCALE Indicative Only - Not To Scale

DATE	20/03/2024	DRAWN	SHP
------	------------	-------	-----

DRG No.	Highgate Cemetery	REV.	0
---------	-------------------	------	---

THE GENERAL CONTRACTOR IS TO CHECK ALL DIMENSIONS AND NOTIFY THE DESIGNERS OF ANY DISCREPANCIES OR OMISSIONS.

Symbols Key	
	Block Name
	Not Surveyed
	Pumped Run
	Foul Drain
	Storm/ Grey Water Drain
	Gully
	Manhole
	RWP
	Acco Drain
	SVP
	Survey Abandoned
	Direction of Flow
	Water Main



12

83

82

81

79

80

78

DATE	REVISIONS



CLIENT

PROJECT

Highgate Cemetery
Swain's Ln
London
N6 6PJ

TITLE

Drainage Survey

SCALE Indicative Only - Not To Scale

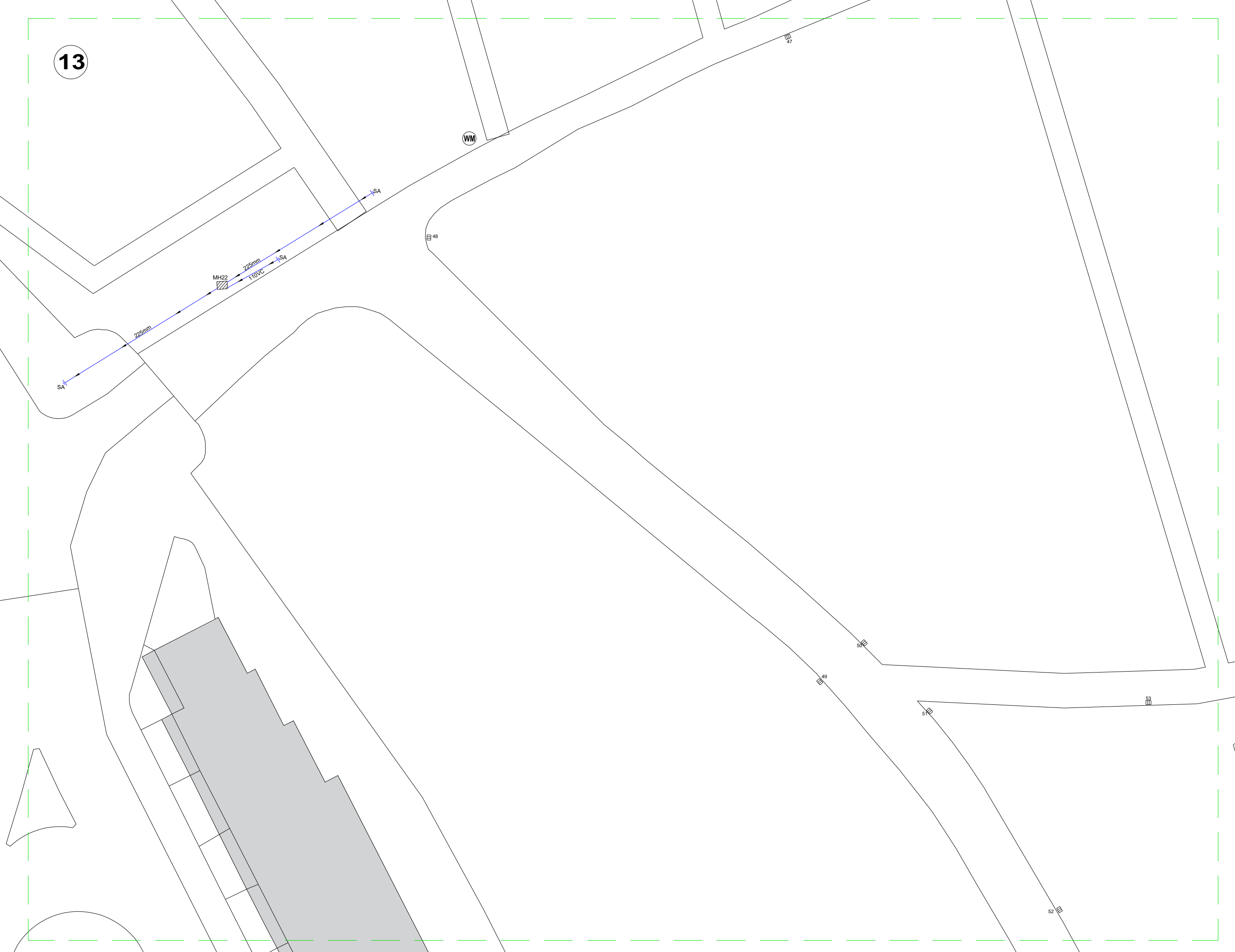
DATE 20/03/2024 DRAWN SHP

DRG No. Highgate Cemetery REV. 0

THE GENERAL CONTRACTOR IS TO CHECK ALL DIMENSIONS AND NOTIFY THE DESIGNERS OF ANY DISCREPANCIES OR OMISSIONS.

Symbols Key	
	Block Name
	Not Surveyed
	Pumped Run
	Foul Drain
	Storm/ Grey Water Drain
	Gully
	Manhole
	RWP
	Acco Drain
	SVP
	Survey Abandoned
	Direction of Flow
	Water Main

13



DATE	REVISIONS



CLIENT

PROJECT
Highgate Cemetery
Swain's Ln
London
N6 6PJ

TITLE
Drainage Survey

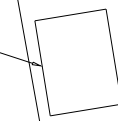
SCALE Indicative Only - Not To Scale

DATE 20/03/2024 DRAWN SHP

DRG No. Highgate Cemetery REV. 0

14

Shaft D



56

WM

East Cer

56

54

THE GENERAL CONTRACTOR IS TO CHECK ALL DIMENSIONS AND NOTIFY THE DESIGNERS OF ANY DISCREPANCIES OR OMISSIONS.

Symbols Key	
	Block Name
	Not Surveyed
	Pumped Run
	Foul Drain
	Storm/ Grey Water Drain
	Gully
	Manhole
	RWP
	Acco Drain
	SVP
	Survey Abandoned
	Direction of Flow
	Water Main

DATE	REVISIONS

Drainage & Asbestos
Kent Drainage Limited Unit 10 St Laurence Avenue 20/20 Industrial Estate Maidstone Kent ME16 0LL
TEL 01622 919012

CLIENT

PROJECT
Highgate Cemetery
Swain's Ln
London
N6 6PJ

TITLE

Drainage Survey

SCALE Indicative Only - Not To Scale

DATE 20/03/2024	DRAWN SHP
-----------------	-----------

DRG No. Highgate Cemetery	REV. 0
---------------------------	--------

THE GENERAL CONTRACTOR IS TO CHECK ALL DIMENSIONS AND NOTIFY THE DESIGNERS OF ANY DISCREPANCIES OR OMISSIONS.

Symbols Key	
	Block Name
	Not Surveyed
	Pumped Run
	Foul Drain
	Storm/ Grey Water Drain
	Gully
	Manhole
	RWP
	Acco Drain
	SVP
	Survey Abandoned
	Direction of Flow
	Water Main

15

45

Highgate Cemetery

DATE	REVISIONS



CLIENT

PROJECT
 Highgate Cemetery
 Swain's Ln
 London
 N6 6PJ

TITLE
 Drainage Survey

SCALE Indicative Only - Not To Scale

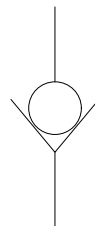
DATE 20/03/2024 DRAWN SHP

DRG No. Highgate Cemetery REV. 0



Block Name
Blocked Drain
Combined Drain
Foul Drain
Storm Drain
Direction of Flow
Gully
Manhole
RWP
Rodding Eye
SVP
Tank

Symbols Key	
Preview	Block Name
	Blocked Drain
	Combined Drain
	Foul Drain
	Storm/ Grey Water Drain
	Gully
	Manhole
	RWP
	Rodding Eye
	SVP
	Direction of Flow



MH_Ref-FW 1
AS_IL-10.000

