

DO NOT SCALE FROM THIS DRAWING.
All critical dimensions not noted are to be measured on site or referred to architect.
Notes

Revisions

P1	16.08.24	First Issue
P2	10.09.24	Second Issue

Drawing Number 1066-10-13-10-P2
Content
Kelman Mausoleum
Existing
Scale 1:50 AT A1 Date APR 2024

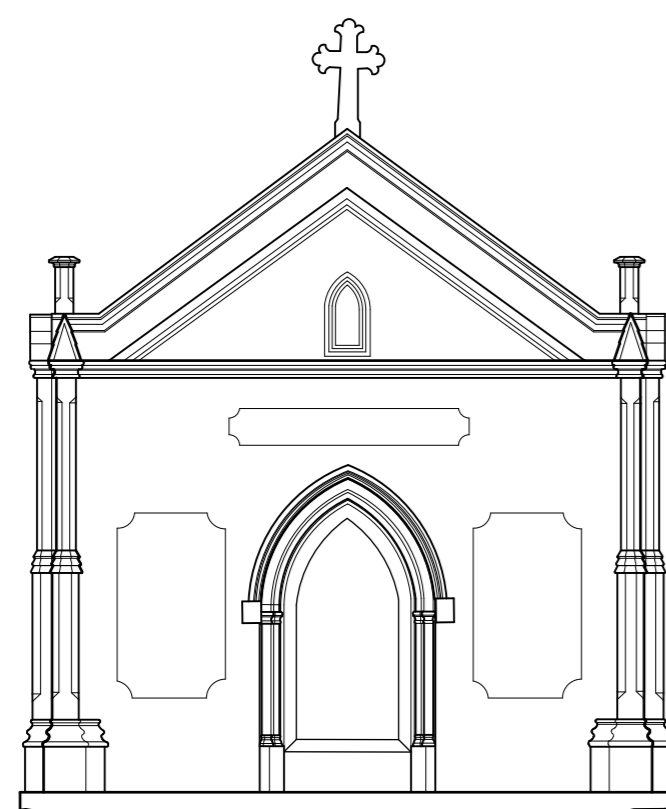
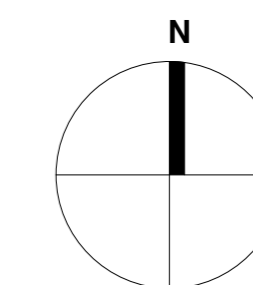
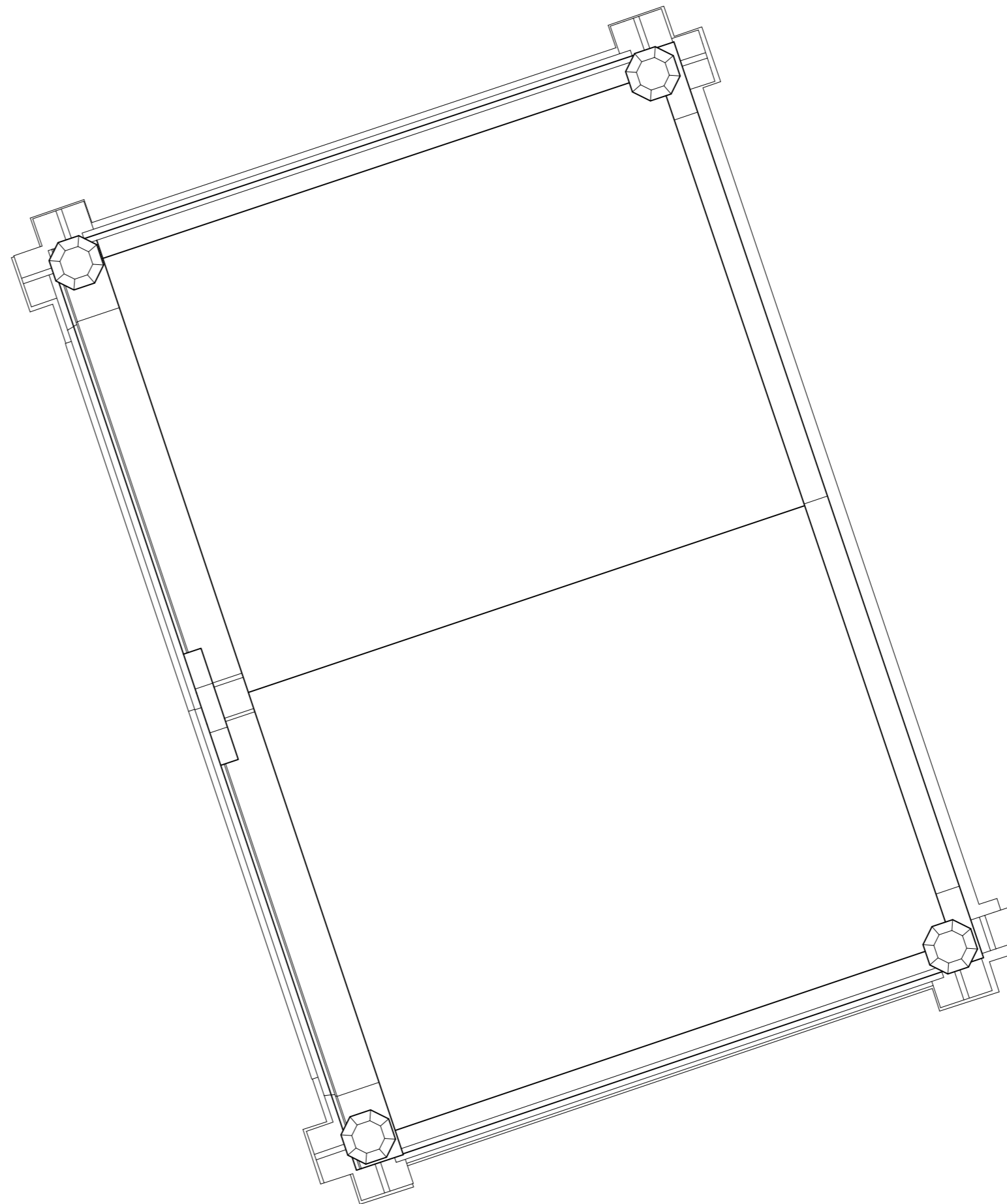
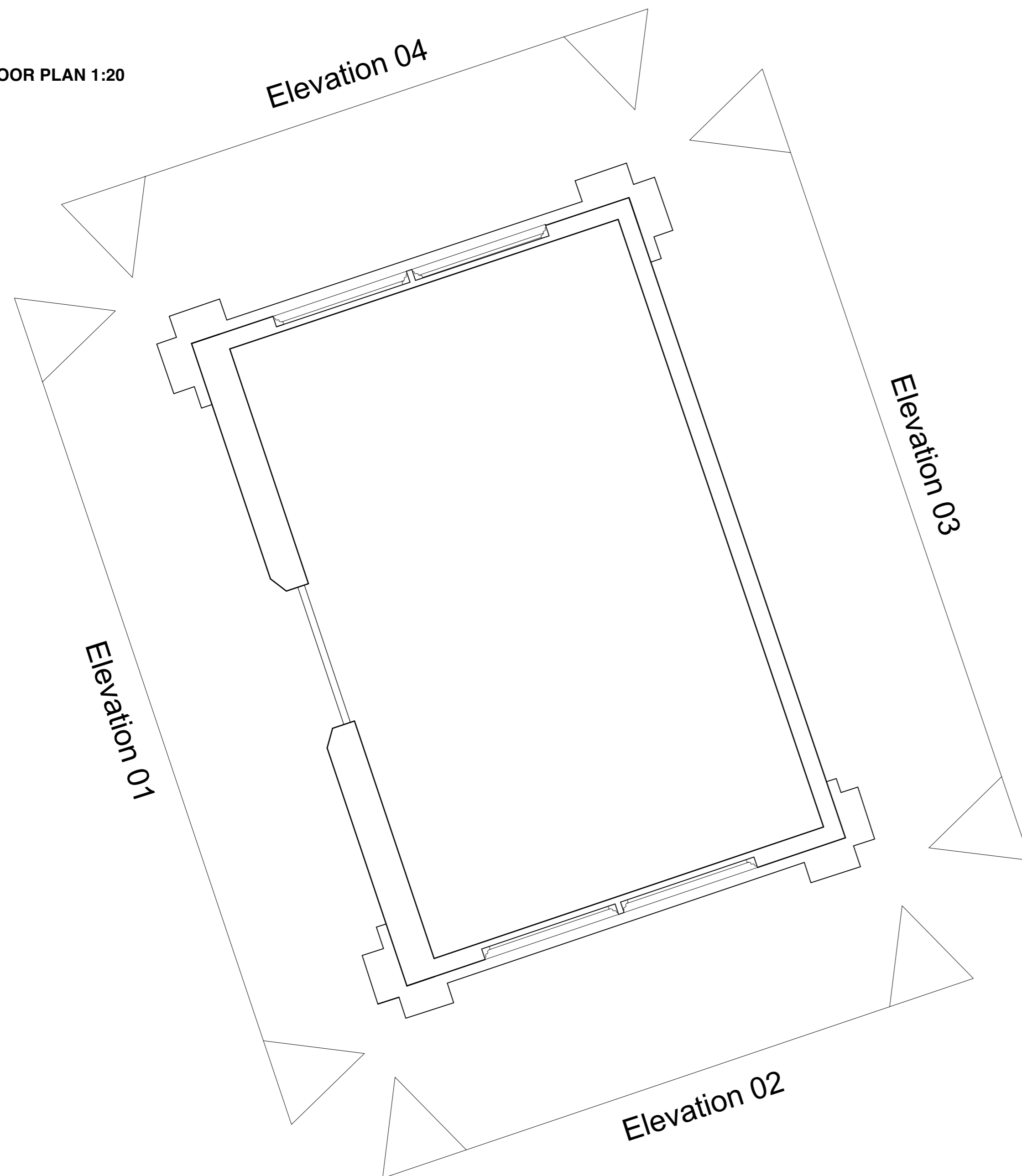
HIGHGATE CEMETERY
PROJECT 10
WEST SCOTT ARCHITECTS
The Studio, 3A Bath Road,
Bedford Park W4 1LL
E-mail: studio@westscottarchitects.co.uk
Tel 020 8995 4275
Fax 020 8742 7186

Key

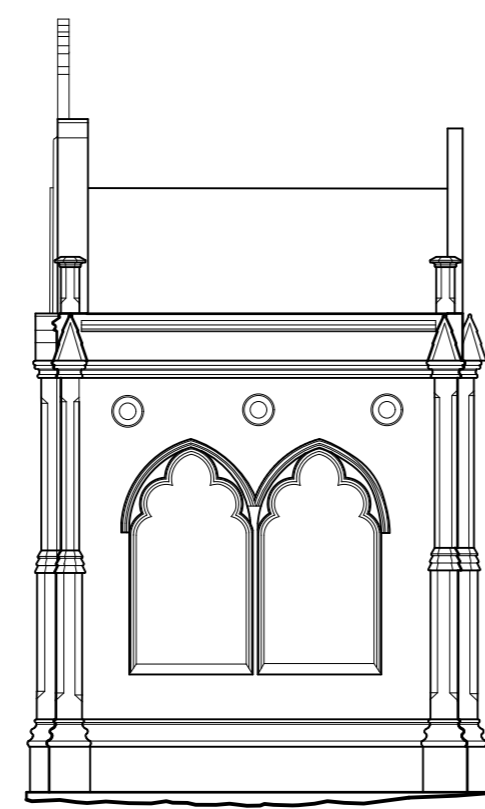
Drawing Number 1066-10-13-10-P2

GROUND FLOOR PLAN 1:20

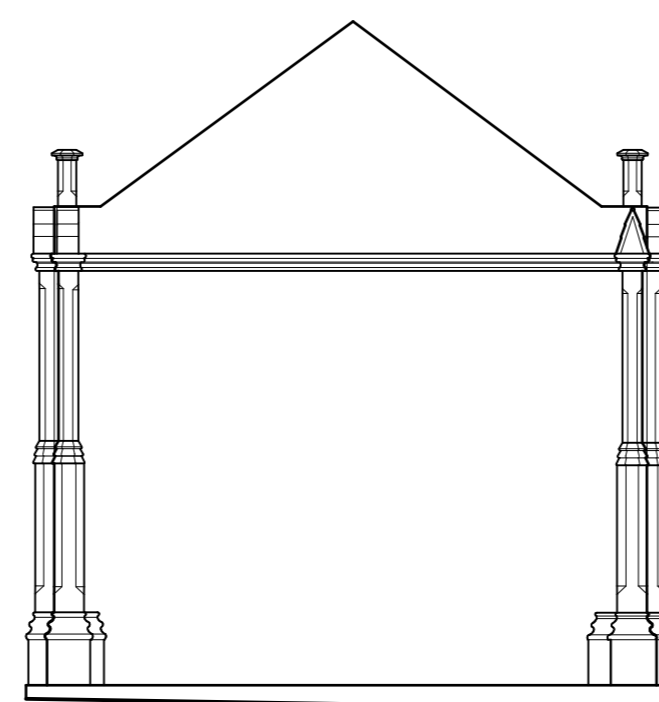
ROOF PLAN 1:20



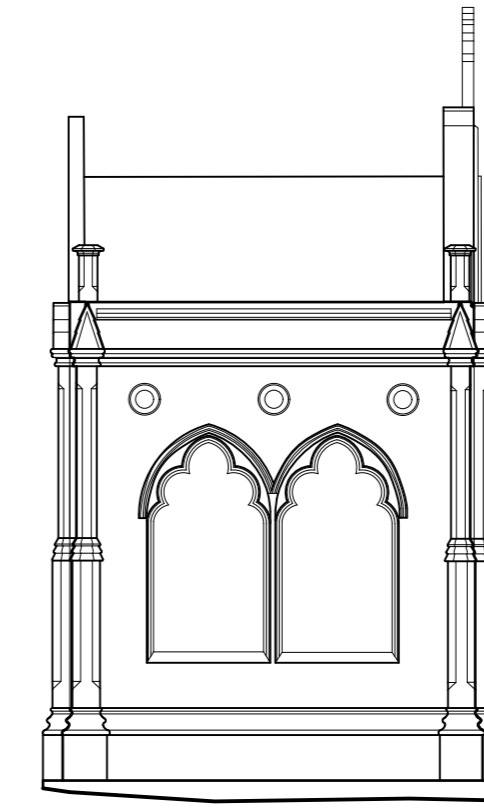
ELEVATION 1



ELEVATION 2



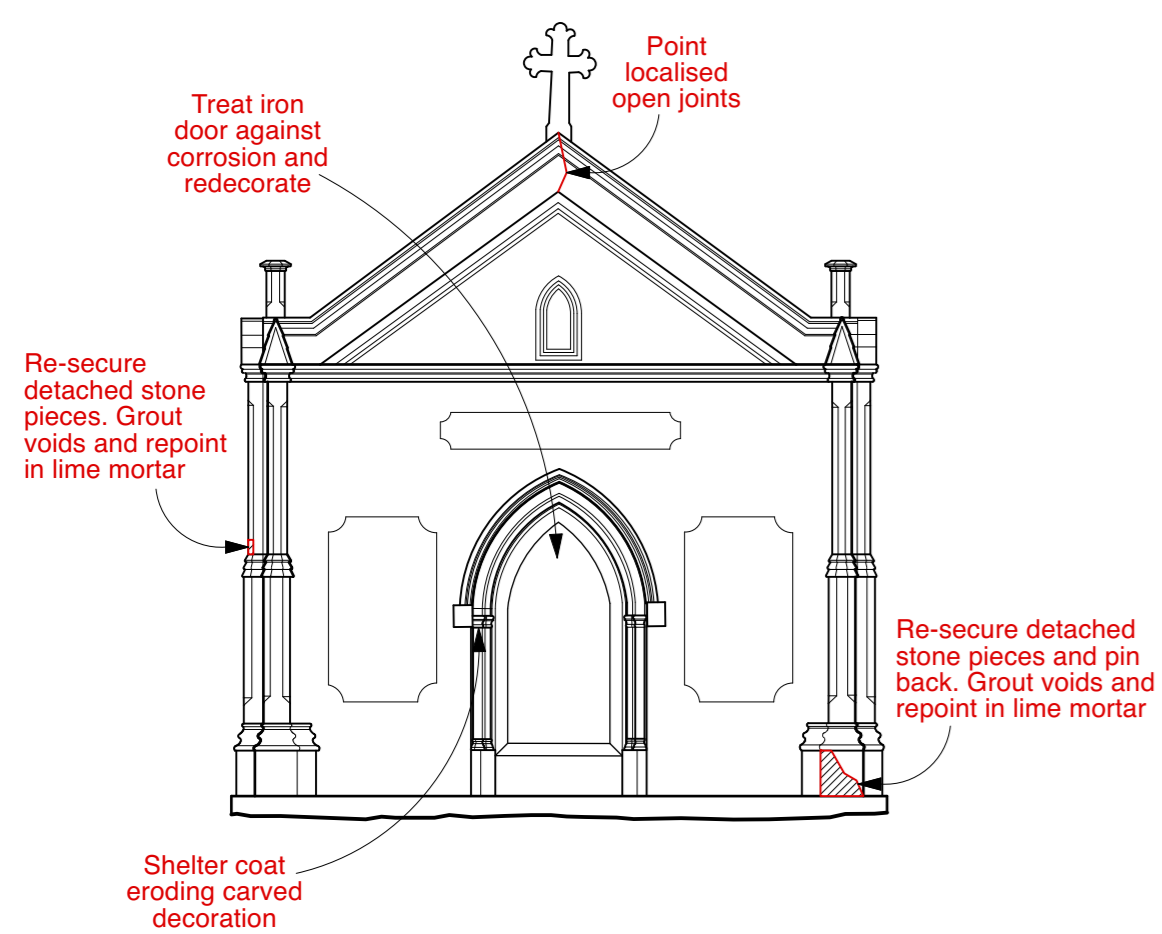
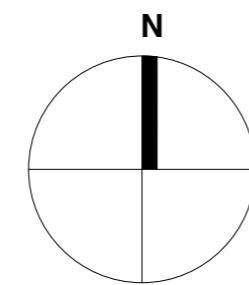
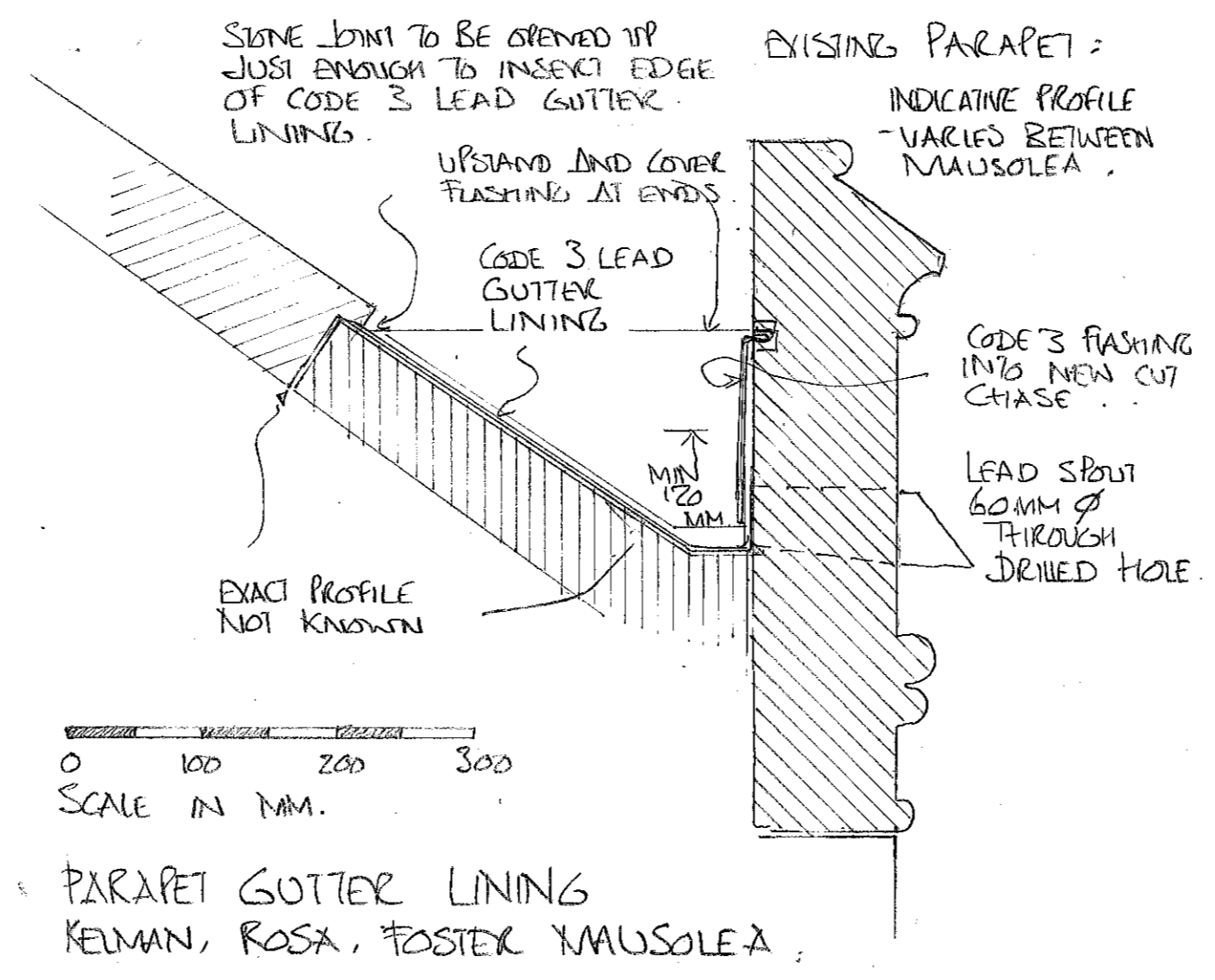
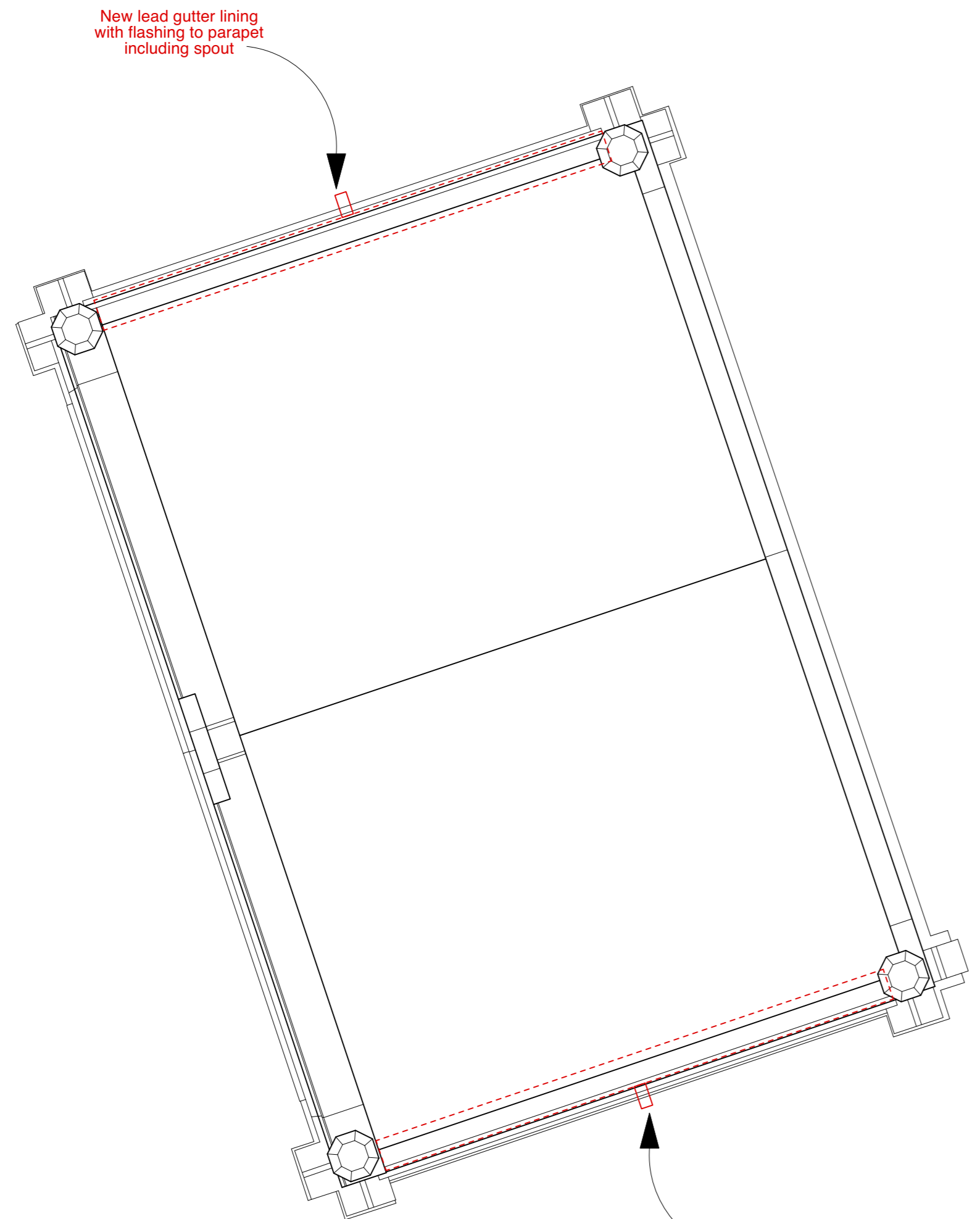
ELEVATION 3



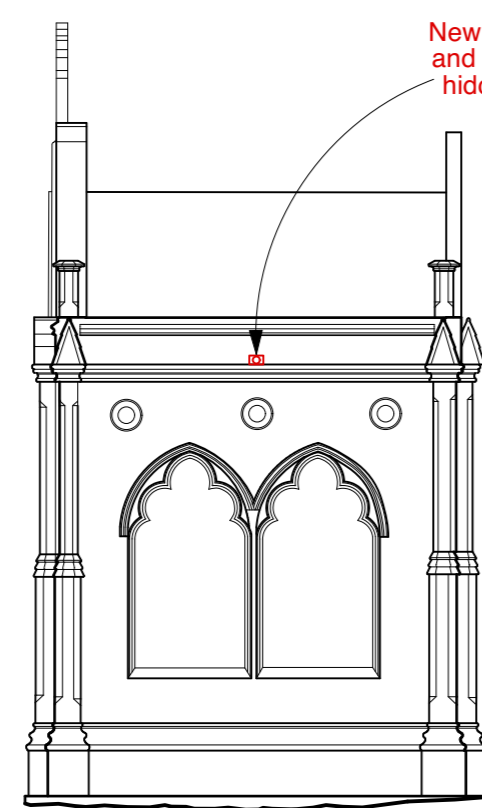
ELEVATION 4



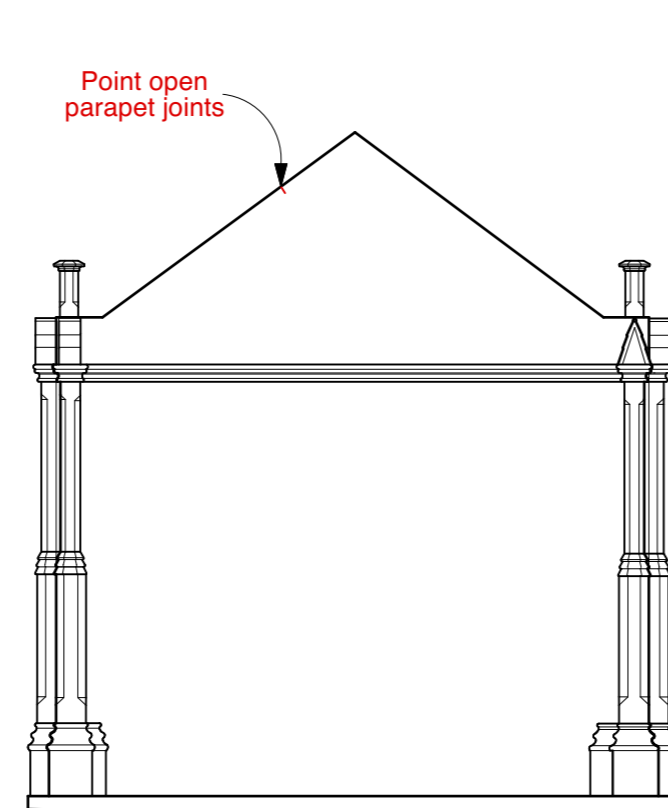
ROOF PLAN 1:20



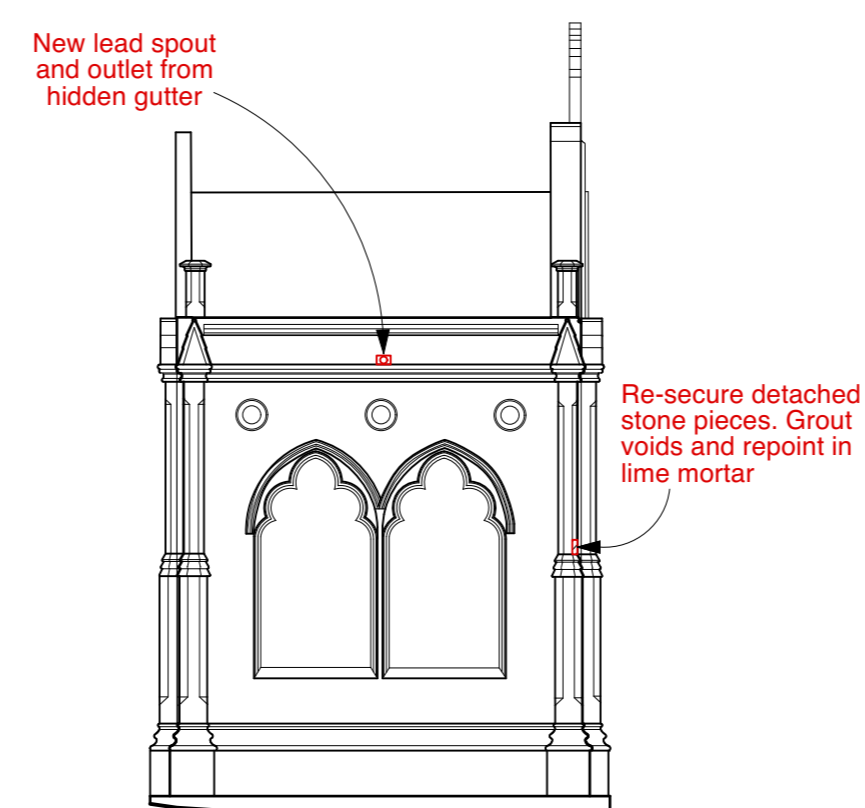
ELEVATION 1



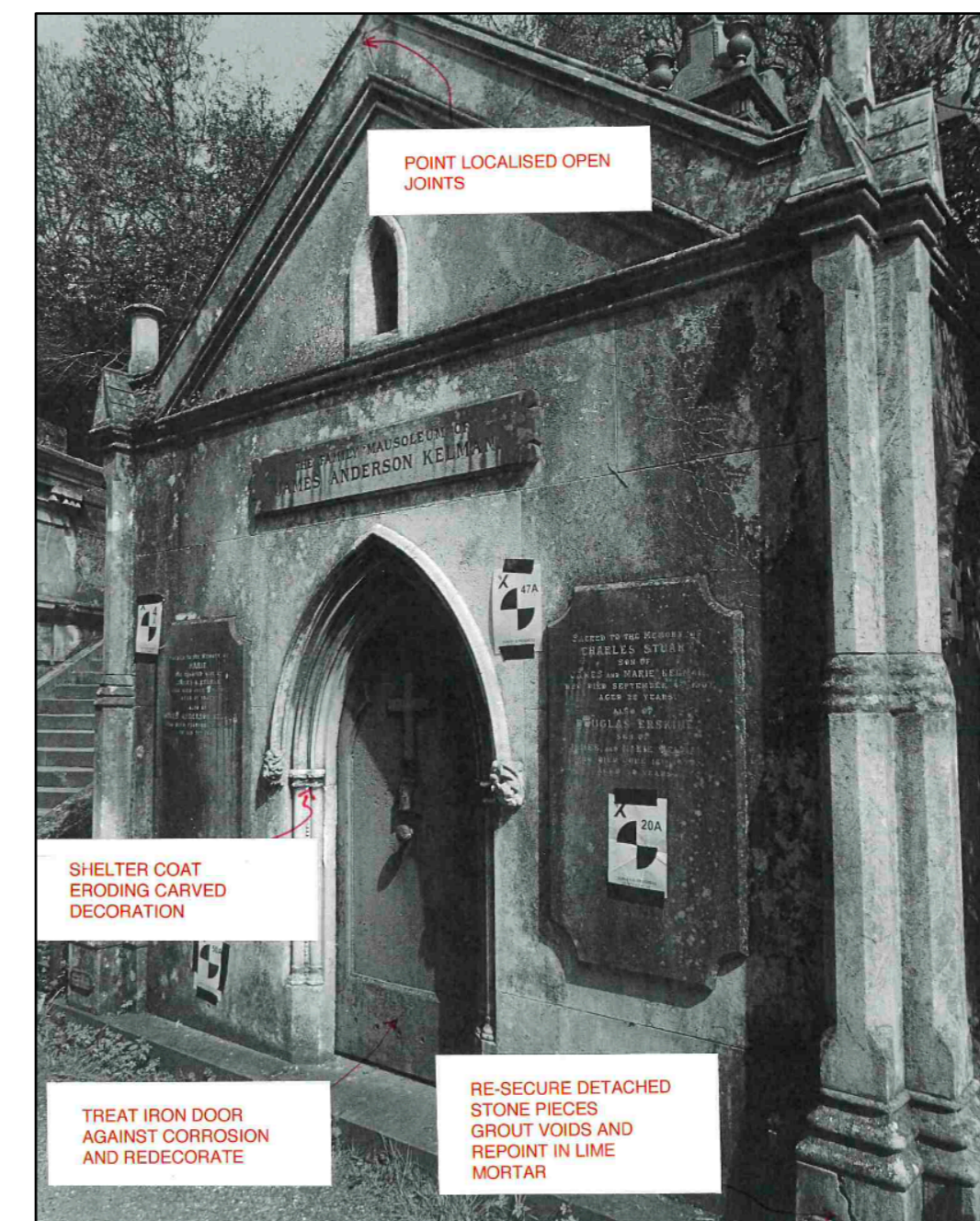
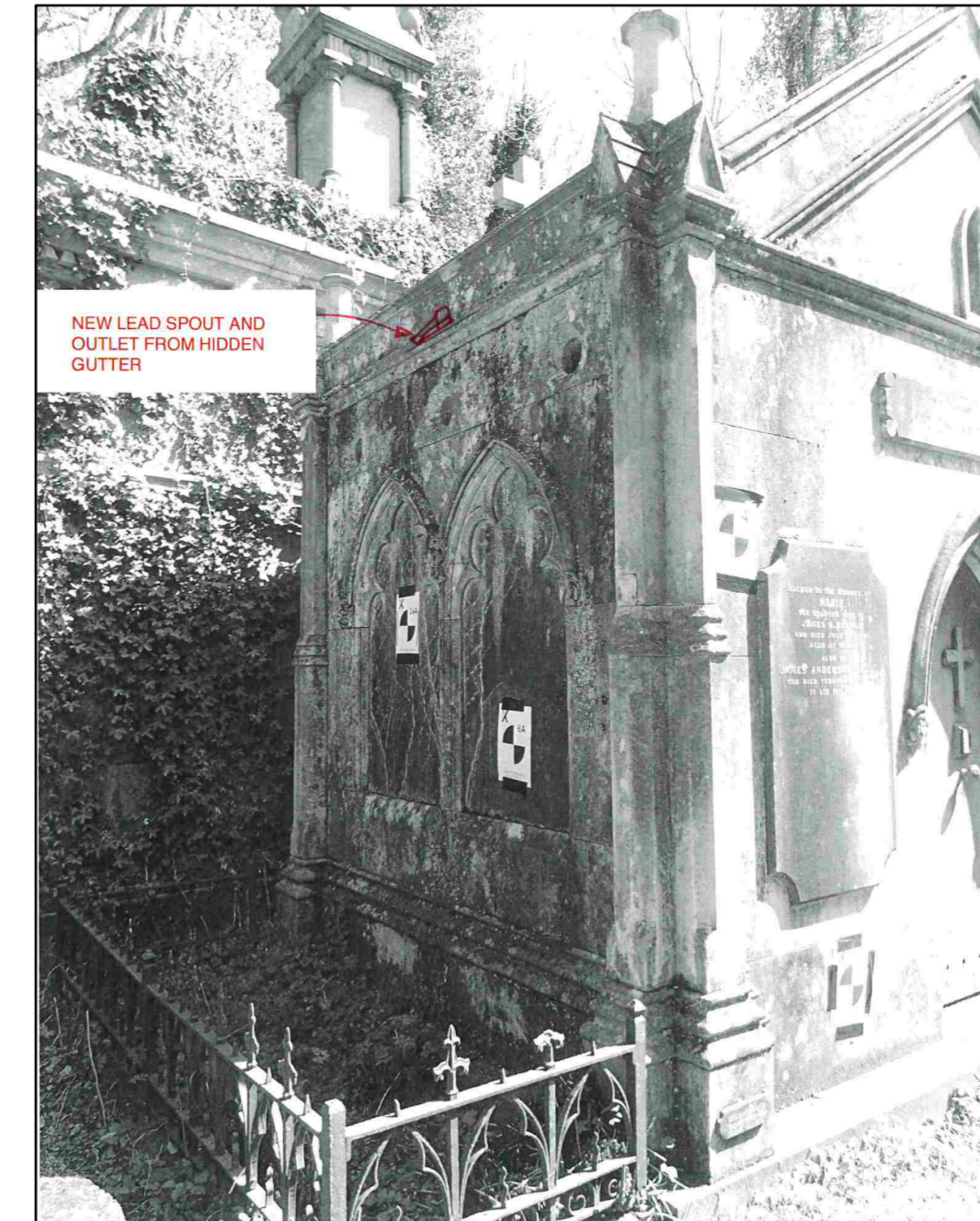
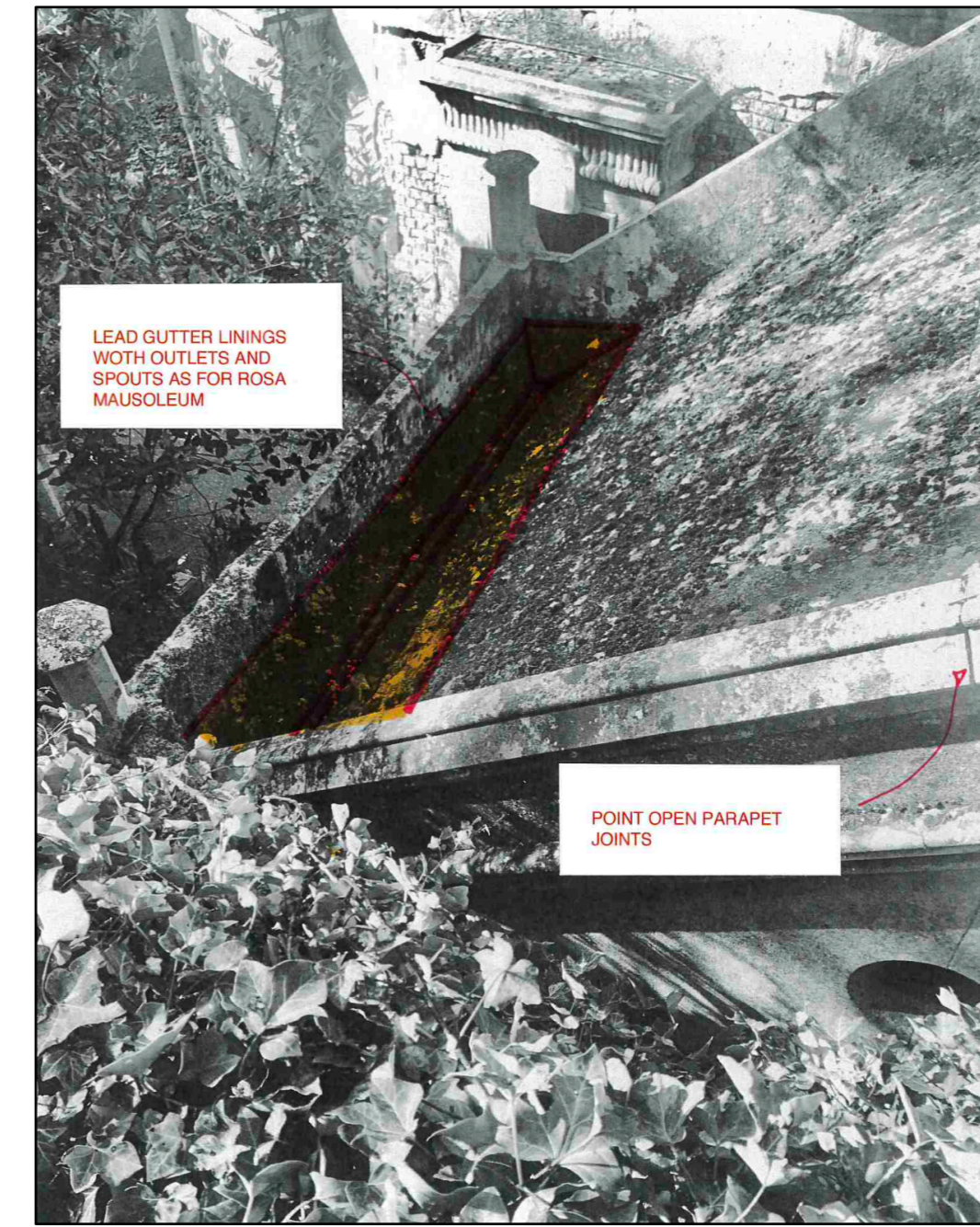
ELEVATION 2



ELEVATION 3



ELEVATION 4



DO NOT SCALE FROM THIS DRAWING.

All critical dimensions not noted are to be measured on site or referred to architect.

Notes

ALSO REFER TO CIRCLE OF LEBANON OUTER RING PROPOSED DRAWINGS

Revisions

Rev	Date	Description
P1	16.08.24	First Issue
P2	10.09.24	Second Issue

Drawing Number 1066-10-13-20-P2

Content
Kelman Mausoleum
Proposed

Scale 1:50 AT A1 Date APR 2024

HIGHGATE CEMETERY
PROJECT 10

WEST SCOTT ARCHITECTS
The Studio, 3A Bath Road,
Bedford Park W4 1LL
E-mail: studio@westscottarchitects.co.uk
Tel 020 8995 4275
Fax 020 8742 7186

Key

Drawing Number 1066-10-13-20-P2