

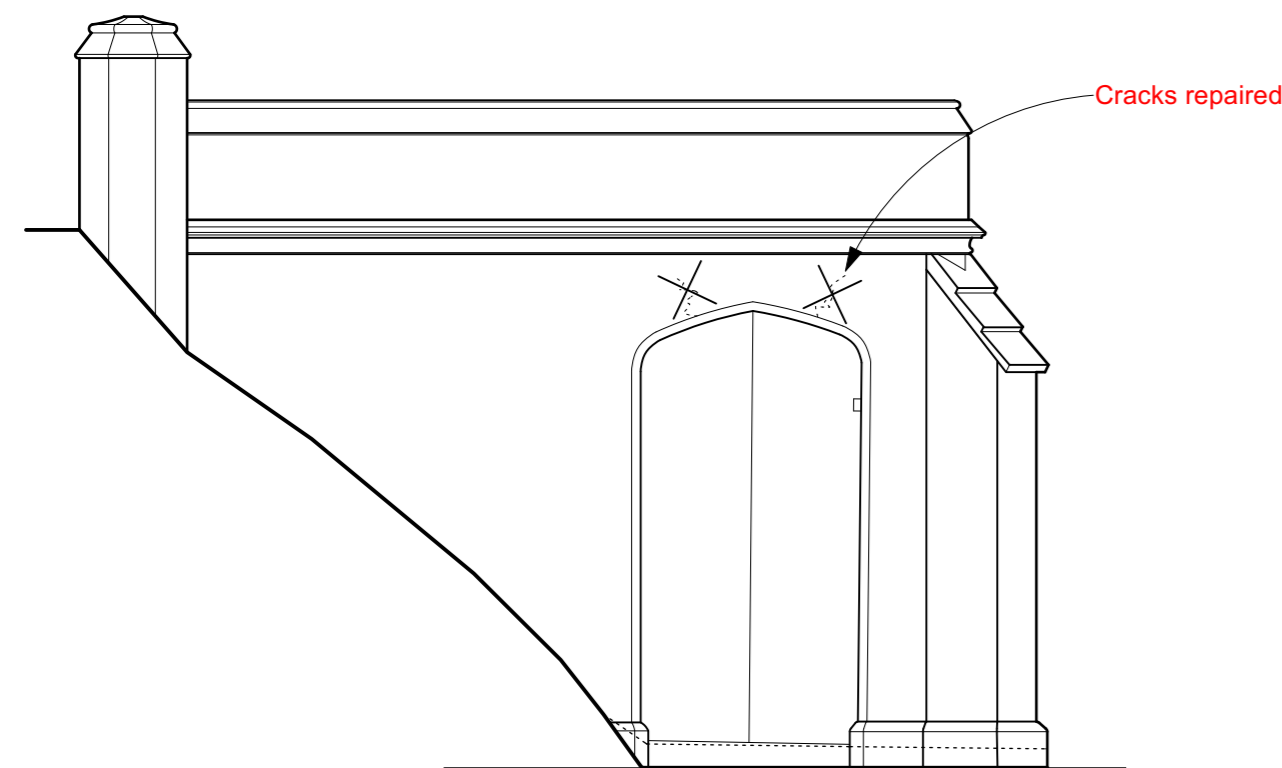
DO NOT SCALE FROM THIS DRAWING.

All critical dimensions not noted are to be measured on site or referred to architect.

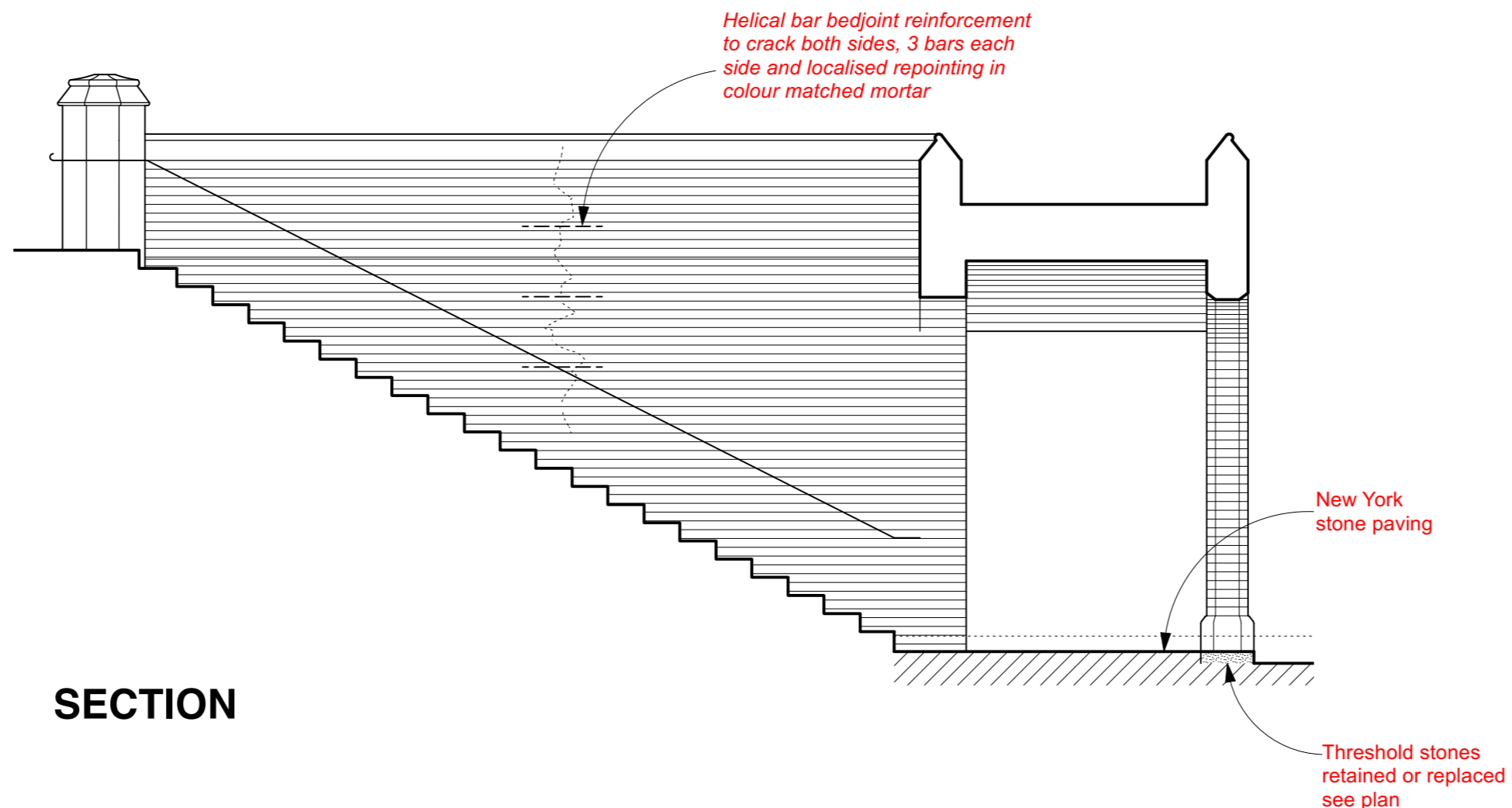
Notes

Revisions

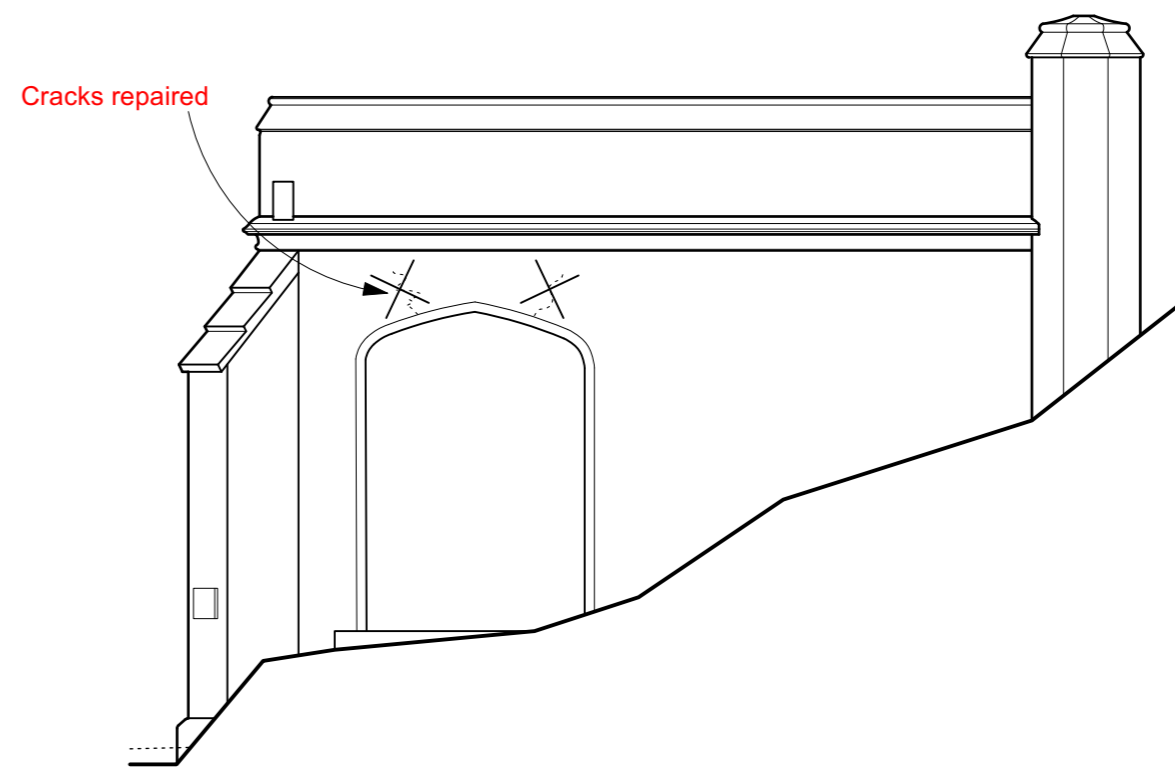
P1	12.07.24	First Issue
P2	10.09.24	Second Issue



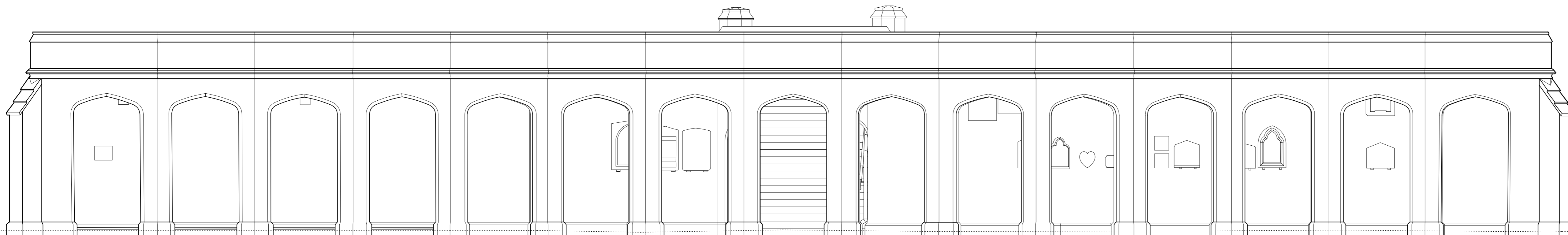
ELEVATION 1



SECTION



ELEVATION 5



ELEVATION 2, 3, 4

Drawing Number 1066-10-4-22-P2

Content
Colonnade Elevations
Proposed

Scale 1:50 AT A1 Date APR 2024

HIGHGATE CEMETERY
PROJECT 10

WEST SCOTT ARCHITECTS
The Studio, 3A Bath Road,
Bedford Park W4 1LL
E-mail: studio@westscottarchitects.co.uk
Tel 020 8995 4275
Fax 020 8742 7186

Key



Drawing Number 1066-10-4-22-P2

