

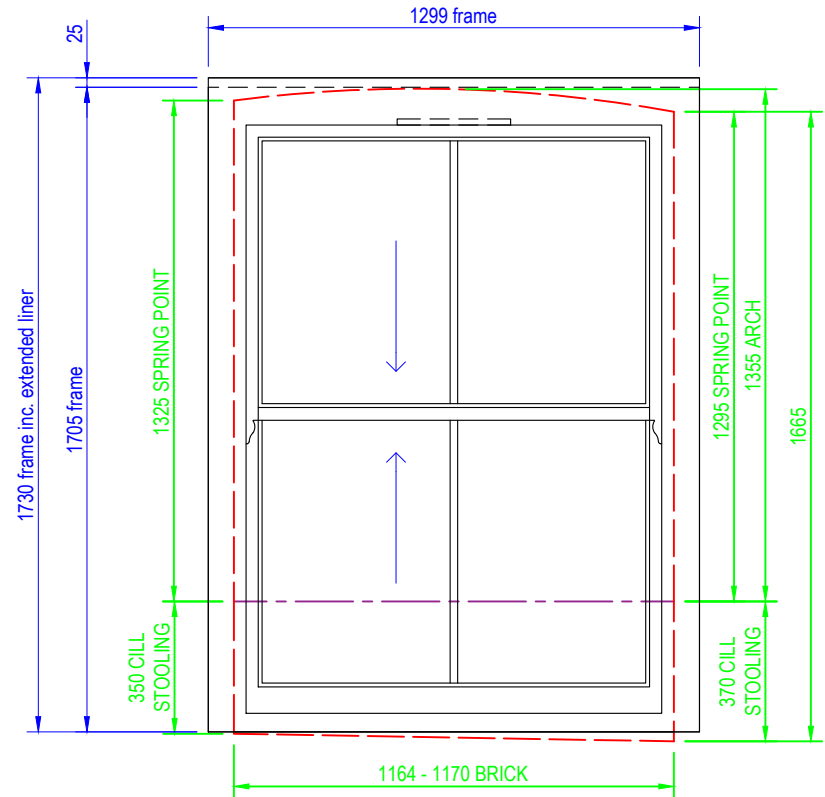
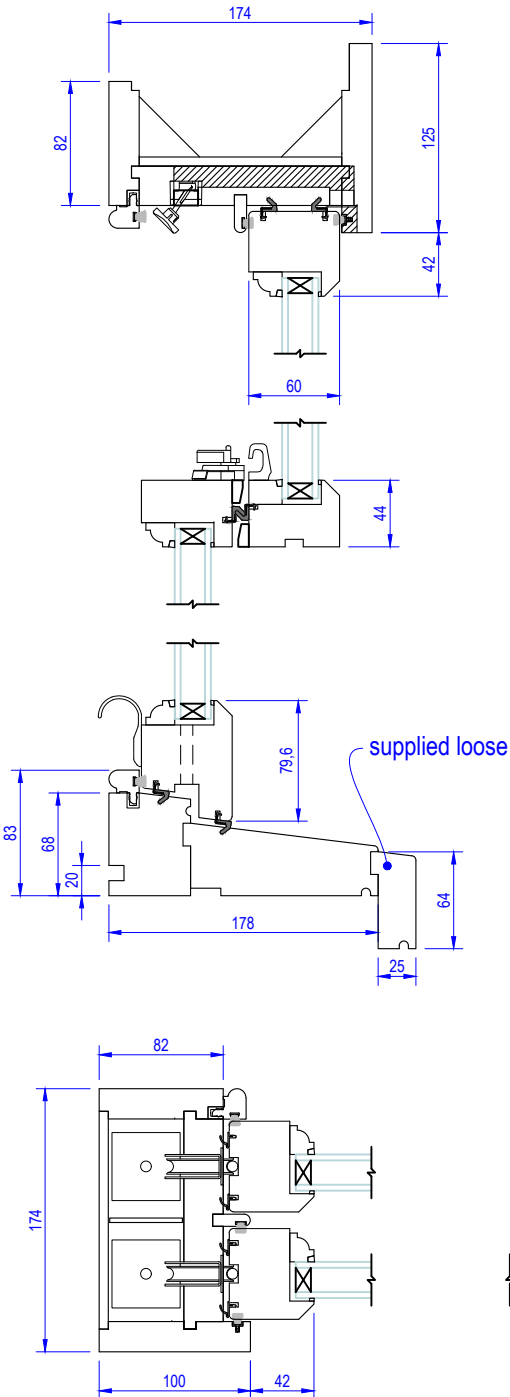
K&C BOX SASH WINDOW

Ref: SF FRONT (int. right)
 QTY: 1no.

- ENGINEERED REDWOOD AND OAK CILL
- 3 COAT FACTORY FINISH - PAINT COLOUR - RAL 9010
- 4/16/4 TGH / TGH PLANICLEAR / ARGON/ PLANTITHERM LOW E
- GLASS SPACER - WHITE WARM EDGE SPACER
- GLAZED WITH SECURITY TAPE & SECURITY CLIP
- CLEAR PERIMETER SILICONE SEAL
- WEATHERSEAL COLOUR - WHITE
- 20mm OVOLO GLAZING BAR 18mm INTEGRAL SPACER
- CONCEALED TRICKLE VENT (XR16)
- 25mm CILL EXTENSION (loose)
- SASH HORN TYPE A
- IRONMONGERY FINISH - POLISHED CHROME
 - ROUND END PULLEY WHEELS
 - 2no. HERITAGE LOCKABLE FASTENERS,
 - 2no. SASH LIFTS
 - 2no. ANGEL VENTLOCK
 - 2no. LOCKING VENTLOCK IN CLOSED POSITION

NOTE: SASHES SENT LOOSE


CUSTOMER NOTES: BRICKWORK IF OUT OF LEVEL FRONT TO BACK, AS WELL AS OUT OF PLUMB. INFILLS REQUIRED BY OTHERS, WHERE NEEDED.
 EXISTING MORTAR BETWEEN FRAME AND BRICK. TO BE REPLACED BY OTHERS WHERE REQUIRED.
 25mm CILL EXTENSIONS TO FINISH BELOW FRAMES TO ALLOW FOR OUT OF LEVEL SUBCILL. CILL EXTENSION TO BE SCRIBED TO SUIT.
 FRAME MARGINS WILL VARY DUE TO BRICKWORK.
 EXISTING WINDOWS ARE 135mm DEEP. NEW FRAMES WILL SIT INSIDE ROOM. INTERNAL TRIMS/ SUNDRIES BY OTHERS WHERE REQUIRED.
 FRAME DIMENSION CALCULATED TO SUIT SMALLEST POINTS.
 ADDITIONAL TOLERANCE ALLOWED DUE TO VARIANCES IN BRICKWORK.
 VISIBLE FRAME MARGINS WILL VARY DUE TO BRICKWORK.

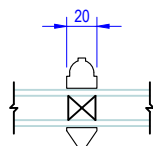
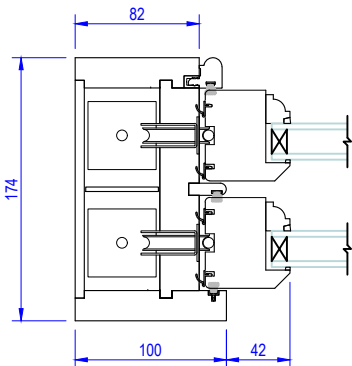
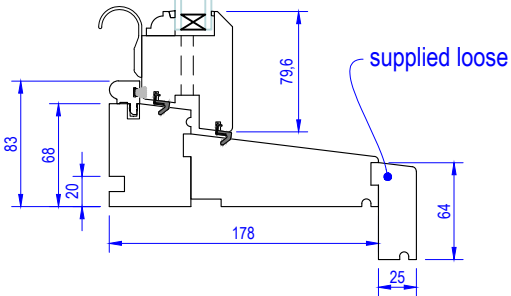
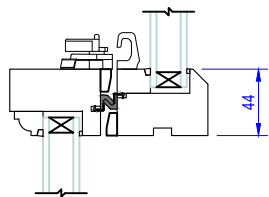
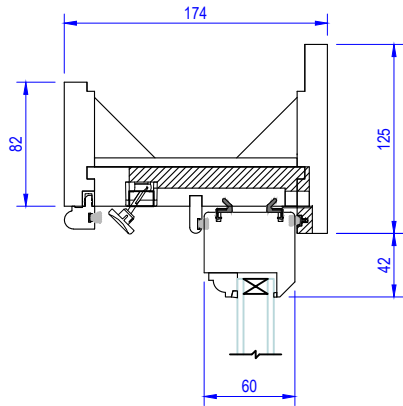


NOTE! ELEVATION DRAWINGS VIEWED EXTERNALLY

SIZES SHOWN IN BLUE ARE FRAME SIZES. A MINIMUM OF 10mm AND MAXIMUM OF 20mm FITTING TOLERANCE SHOULD BE ALLOWED FOR FITTING PRODUCT INTO STRUCTURE

SASH WINDOWS IN EXCESS 100KG SUPPLIED WITH LOOSE SASHES.
 LARGE DOORSETS OVER 100KG SUPPLIED WITH LEAVES LOOSE.

 Made-to-order timber windows and doors		Drawing Number <i>LW100746-01</i>	Drawn By DH
		Scale 1:20 & 1:5 @ A4	Revision Date 27/11/24
		Job Number 100746	
		Project 11A FAIRHAZEL GARDENS	
T 01277 353857		www.lomaxwood.co.uk	
© COPYRIGHT 2022 LOMAX+WOOD. ALL RIGHTS RESERVED			



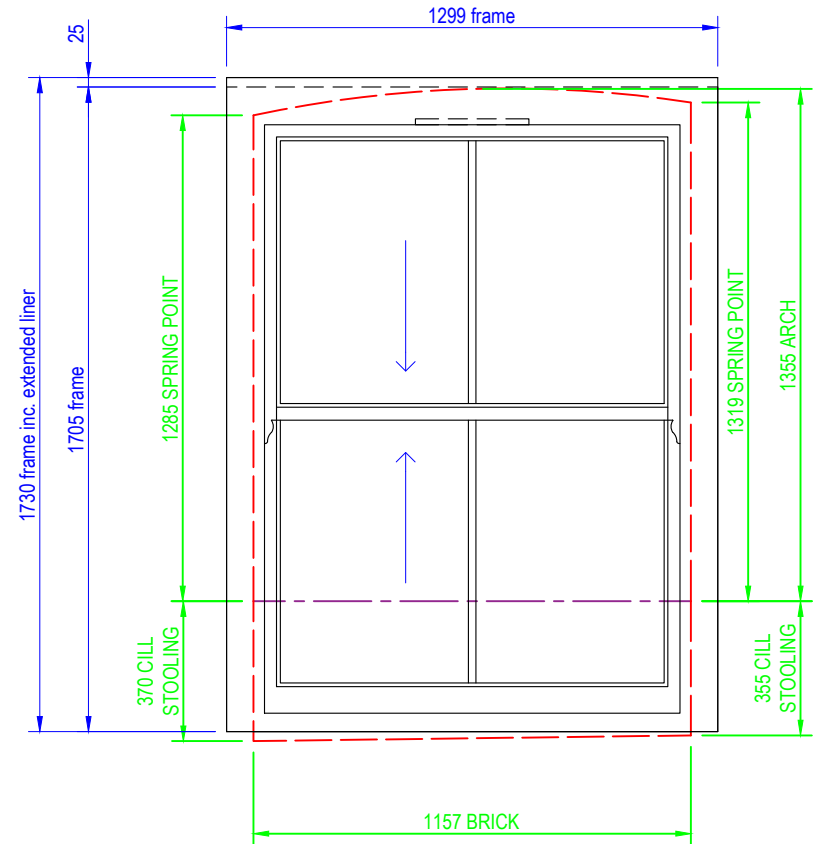
K&C BOX SASH WINDOW

Ref: SF FRONT (int. left)
QTY: 1no.

- ENGINEERED REDWOOD AND OAK CILL
- 3 COAT FACTORY FINISH - PAINT COLOUR - RAL 9010
- 4/16/4 TGH / TGH PLANICLEAR / ARGON/ PLANTITHERM LOW E
- GLASS SPACER - WHITE WARM EDGE SPACER
- GLAZED WITH SECURITY TAPE & SECURITY CLIP
- CLEAR PERIMETER SILICONE SEAL
- WEATHERSEAL COLOUR - WHITE
- 20mm OVOLO GLAZING BAR 18mm INTEGRAL SPACER
- CONCEALED TRICKLE VENT (XR16)
- 25mm CILL EXTENSION (loose)
- SASH HORN TYPE A
- IRONMONGERY FINISH - POLISHED CHROME
 - ROUND END PULLEY WHEELS
 - 2no. HERITAGE LOCKABLE FASTENERS,
 - 2no. SASH LIFTS
 - 2no. ANGEL VENTLOCK
 - 2no. LOCKING VENTLOCK IN CLOSED POSITION

NOTE: SASHES SENT LOOSE


CUSTOMER NOTES: BRICKWORK IF OUT OF LEVEL FRONT TO BACK, AS WELL AS OUT OF PLUMB. INFILLS REQUIRED BY OTHERS, WHERE NEEDED.
EXISTING MORTAR BETWEEN FRAME AND BRICK. TO BE REPLACED BY OTHERS WHERE REQUIRED.
25mm CILL EXTENSIONS TO FINISH BELOW FRAMES TO ALLOW FOR OUT OF LEVEL SUBCILL. CILL EXTENSION TO BE SCRIBED TO SUIT.
FRAME MARGINS WILL VARY DUE TO BRICKWORK.
EXISTING WINDOWS ARE 135mm DEEP. NEW FRAMES WILL SIT INSIDE ROOM. INTERNAL TRIMS/ SUNDRIES BY OTHERS WHERE REQUIRED.
FRAME DIMENSION CALCULATED TO SUIT SMALLEST POINTS.
ADDITIONAL TOLERANCE ALLOWED DUE TO VARIANCES IN BRICKWORK.
VISIBLE FRAME MARGINS WILL VARY DUE TO BRICKWORK.

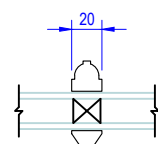
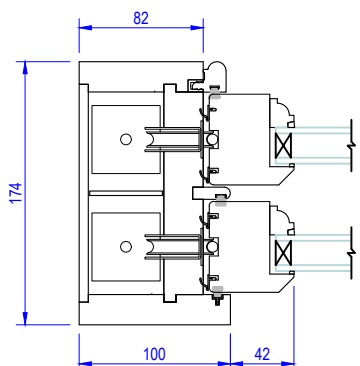
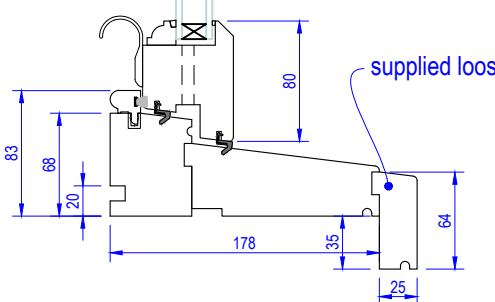
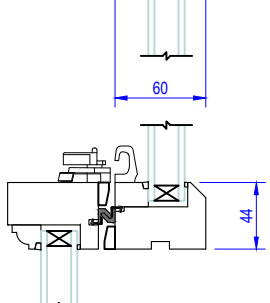
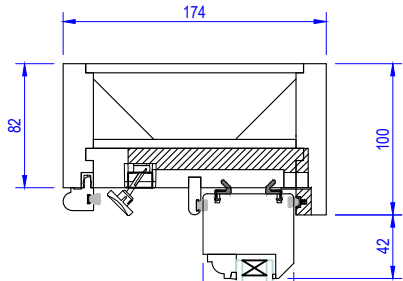


NOTE! ELEVATION DRAWINGS VIEWED EXTERNALLY

SIZES SHOWN IN BLUE ARE FRAME SIZES. A MINIMUM OF 10mm AND MAXIMUM OF 20mm FITTING TOLERANCE SHOULD BE ALLOWED FOR FITTING PRODUCT INTO STRUCTURE

SASH WINDOWS IN EXCESS 100KG SUPPLIED WITH LOOSE SASHES.
LARGE DOORSETS OVER 100KG SUPPLIED WITH LEAVES LOOSE.

		Made-to-order timber windows and doors		Drawing Number <i>LW100746-02</i>	Drawn By DH
		Scale 1:20 & 1:5 @ A4	Revision	Date 27/11/24	
		Job Number <i>100746</i>			
		Project <i>11A FAIRHAZEL GARDENS</i>			
T 01277 353857		www.lomaxwood.co.uk		© COPYRIGHT 2022 LOMAX+WOOD. ALL RIGHTS RESERVED	



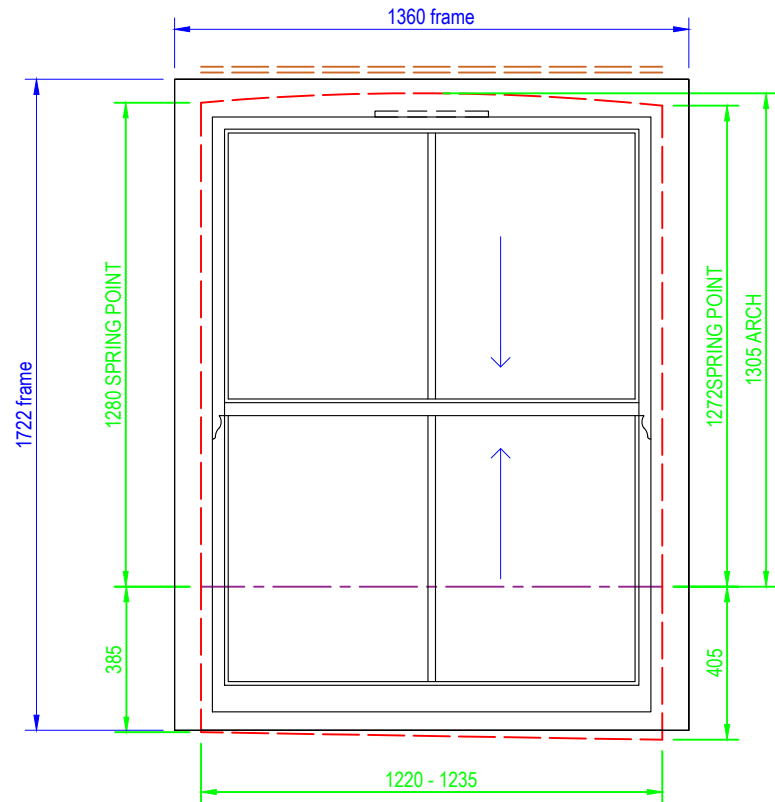
K&C BOX SASH WINDOW

Ref: SF REAR
QTY: 1no.

- ENGINEERED REDWOOD AND OAK CILL
- 3 COAT FACTORY FINISH - PAINT COLOUR - RAL 9010
- 4/16/4 TGH / TGH PLANICLEAR / ARGON/ PLANTITHERM LOW E
- GLASS SPACER - WHITE WARM EDGE SPACER
- GLAZED WITH SECURITY TAPE & SECURITY CLIP
- CLEAR PERIMETER SILICONE SEAL
- WEATHERSEAL COLOUR - WHITE
- 20mm OVOLO GLAZING BAR 18mm INTEGRAL SPACER
- CONCEALED TRICKLE VENT (XR16)
- 25mm CILL EXTENSION (loose)
- SASH HORN TYPE A
- IRONMONGERY FINISH - POLISHED CHROME
 - ROUND END PULLEY WHEELS
 - 2no. HERITAGE LOCKABLE FASTENERS,
 - 2no. SASH LIFTS
 - 2no. ANGEL VENTLOCK
 - 2no. LOCKING VENTLOCK IN CLOSED POSITION

NOTE: SASHES SENT LOOSE


CUSTOMER NOTES: BRICKWORK IF OUT OF LEVEL FRONT TO BACK, AS WELL AS OUT OF PLUMB. INFILLS REQUIRED BY OTHERS, WHERE NEEDED.
EXISTING MORTAR BETWEEN FRAME AND BRICK. TO BE REPLACED BY OTHERS WHERE REQUIRED.
25mm CILL EXTENSIONS TO FINISH BELOW FRAMES TO ALLOW FOR OUT OF LEVEL SUBCILL. CILL EXTENSION TO BE SCRIBED TO SUIT.
FRAME MARGINS WILL VARY DUE TO BRICKWORK.
EXISTING WINDOWS ARE 135mm DEEP. NEW FRAMES WILL SIT INSIDE ROOM. INTERNAL TRIMS/ SUNDRIES BY OTHERS WHERE REQUIRED.
FRAME DIMENSION CALCULATED TO SUIT SMALLEST POINTS.
ADDITIONAL TOLERANCE ALLOWED DUE TO VARIANCES IN BRICKWORK.
VISIBLE FRAME MARGINS WILL VARY DUE TO BRICKWORK.

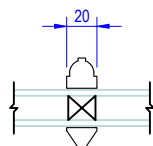
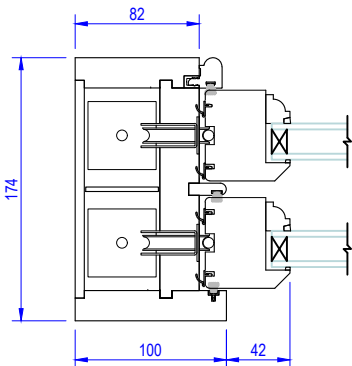
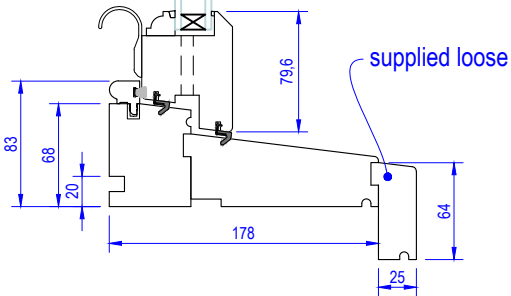
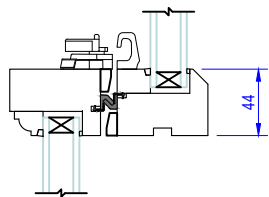
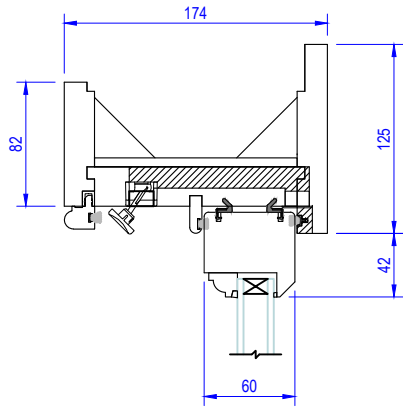


NOTE! ELEVATION DRAWINGS VIEWED EXTERNALLY

SIZES SHOWN IN BLUE ARE FRAME SIZES. A MINIMUM OF 10mm AND MAXIMUM OF 20mm FITTING TOLERANCE SHOULD BE ALLOWED FOR FITTING PRODUCT INTO STRUCTURE

SASH WINDOWS IN EXCESS 100KG SUPPLIED WITH LOOSE SASHES.
LARGE DOORSETS OVER 100KG SUPPLIED WITH LEAVES LOOSE.

		Drawing Number <i>LW100746-03</i>		Drawn By DH
		Scale 1:20 & 1:5 @ A4	Revision	Date 27/11/24
Made-to-order timber windows and doors		Job Number 100746		
		Project 11A FAIRHAZEL GARDENS		
T 01277 353857		www.lomaxwood.co.uk		© COPYRIGHT 2022 LOMAX+WOOD. ALL RIGHTS RESERVED



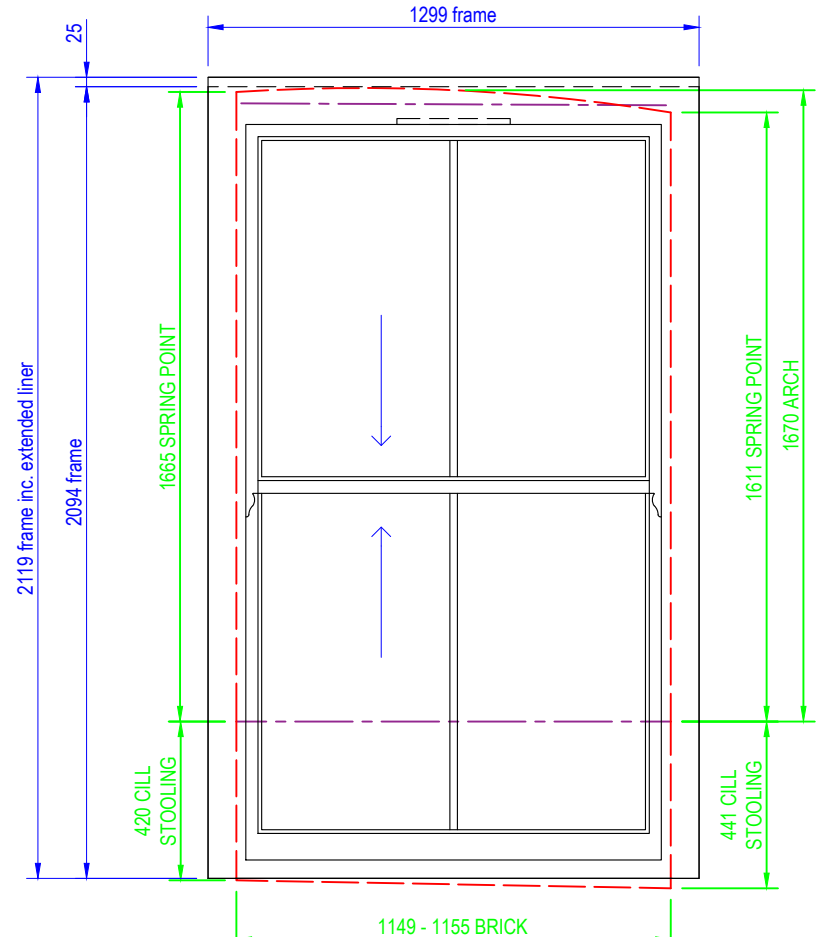
K&C BOX SASH WINDOW

Ref: FF FRONT
QTY: 1no.

- ENGINEERED REDWOOD AND OAK CILL
- 3 COAT FACTORY FINISH - PAINT COLOUR - RAL 9010
- 4/16/4 TGH / TGH PLANICLEAR / ARGON/ PLANTITHERM LOW E
- GLASS SPACER - WHITE WARM EDGE SPACER
- GLAZED WITH SECURITY TAPE & SECURITY CLIP
- CLEAR PERIMETER SILICONE SEAL
- WEATHERSEAL COLOUR - WHITE
- 20mm OVOLO GLAZING BAR 18mm INTEGRAL SPACER
- CONCEALED TRICKLE VENT (XR16)
- 25mm CILL EXTENSION (loose)
- SASH HORN TYPE A
- IRONMONGERY FINISH - POLISHED CHROME
 - ROUND END PULLEY WHEELS
 - 2no. HERITAGE LOCKABLE FASTENERS,
 - 2no. SASH LIFTS
 - 2no. ANGEL VENTLOCK
 - 2no. LOCKING VENTLOCK IN CLOSED POSITION

NOTE: SASHES SENT LOOSE


CUSTOMER NOTES: BRICKWORK IF OUT OF LEVEL FRONT TO BACK, AS WELL AS OUT OF PLUMB. INFILLS REQUIRED BY OTHERS, WHERE NEEDED.
EXISTING MORTAR BETWEEN FRAME AND BRICK. TO BE REPLACED BY OTHERS WHERE REQUIRED.
25mm CILL EXTENSIONS TO FINISH BELOW FRAMES TO ALLOW FOR OUT OF LEVEL SUBCILL. CILL EXTENSION TO BE SCRIBED TO SUIT.
FRAME MARGINS WILL VARY DUE TO BRICKWORK.
EXISTING WINDOWS ARE 135mm DEEP. NEW FRAMES WILL SIT INSIDE ROOM. INTERNAL TRIMS/ SUNDRIES BY OTHERS WHERE REQUIRED.
FRAME DIMENSION CALCULATED TO SUIT SMALLEST POINTS.
ADDITIONAL TOLERANCE ALLOWED DUE TO VARIANCES IN BRICKWORK.
VISIBLE FRAME MARGINS WILL VARY DUE TO BRICKWORK.

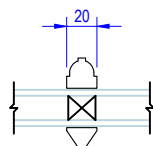
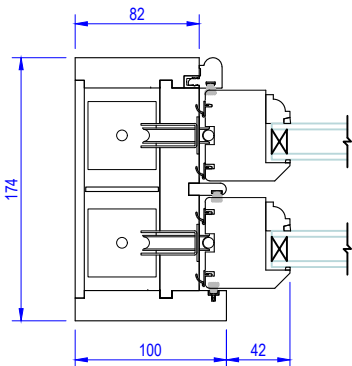
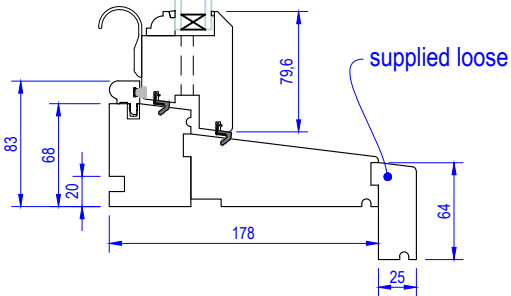
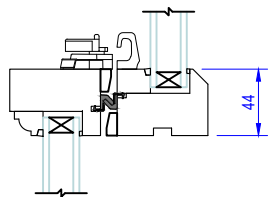
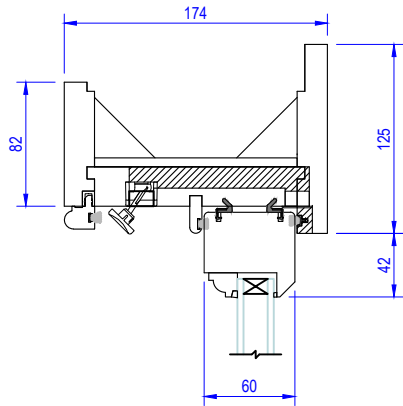


NOTE! ELEVATION DRAWINGS VIEWED EXTERNALLY

SIZES SHOWN IN BLUE ARE FRAME SIZES. A MINIMUM OF 10mm AND MAXIMUM OF 20mm FITTING TOLERANCE SHOULD BE ALLOWED FOR FITTING PRODUCT INTO STRUCTURE

SASH WINDOWS IN EXCESS 100KG SUPPLIED WITH LOOSE SASHES.
LARGE DOORSETS OVER 100KG SUPPLIED WITH LEAVES LOOSE.

		Made-to-order timber windows and doors		Drawing Number <i>LW100746-04</i>	Drawn By DH
		Scale 1:20 & 1:5 @ A4	Revision	Date 27/11/24	
		Job Number <i>100746</i>			
		Project <i>11A FAIRHAZEL GARDENS</i>			
T 01277 353857		www.lomaxwood.co.uk		© COPYRIGHT 2022 LOMAX+WOOD. ALL RIGHTS RESERVED	



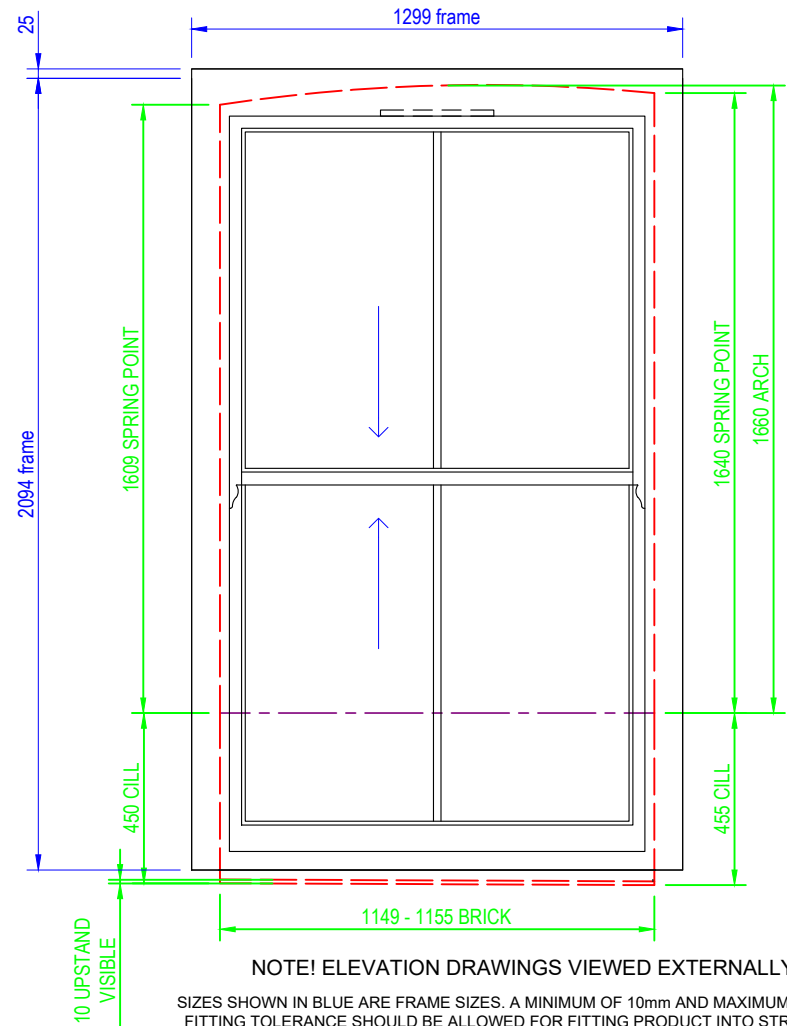
K&C BOX SASH WINDOW

Ref: FF FRONT
QTY: 1no.

- ENGINEERED REDWOOD AND OAK CILL
- 3 COAT FACTORY FINISH - PAINT COLOUR - RAL 9010
- 4/16/4 TGH / TGH PLANICLEAR / ARGON/ PLANTITHERM LOW E
- GLASS SPACER - WHITE WARM EDGE SPACER
- GLAZED WITH SECURITY TAPE & SECURITY CLIP
- CLEAR PERIMETER SILICONE SEAL
- WEATHERSEAL COLOUR - WHITE
- 20mm OVOLO GLAZING BAR 18mm INTEGRAL SPACER
- CONCEALED TRICKLE VENT (XR16)
- 25mm CILL EXTENSION (loose)
- SASH HORN TYPE A
- IRONMONGERY FINISH - POLISHED CHROME
 - ROUND END PULLEY WHEELS
 - 2no. HERITAGE LOCKABLE FASTENERS,
 - 2no. SASH LIFTS
 - 2no. ANGEL VENTLOCK
 - 2no. LOCKING VENTLOCK IN CLOSED POSITION

NOTE: SASHES SENT LOOSE


CUSTOMER NOTES: BRICKWORK IF OUT OF LEVEL FRONT TO BACK, AS WELL AS OUT OF PLUMB. INFILLS REQUIRED BY OTHERS, WHERE NEEDED. EXISTING MORTAR BETWEEN FRAME AND BRICK. TO BE REPLACED BY OTHERS WHERE REQUIRED. 25mm CILL EXTENSIONS TO FINISH BELOW FRAMES TO ALLOW FOR OUT OF LEVEL SUBCILL. CILL EXTENSION TO BE SCRIBED TO SUIT. FRAME MARGINS WILL VARY DUE TO BRICKWORK. EXISTING WINDOWS ARE 135mm DEEP. NEW FRAMES WILL SIT INSIDE ROOM. INTERNAL TRIMS/ SUNDRIES BY OTHERS WHERE REQUIRED. FRAME DIMENSION CALCULATED TO SUIT SMALLEST POINTS. ADDITIONAL TOLERANCE ALLOWED DUE TO VARIANCES IN BRICKWORK. VISIBLE FRAME MARGINS WILL VARY DUE TO BRICKWORK.

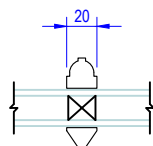
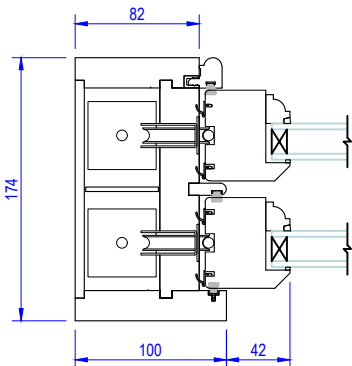
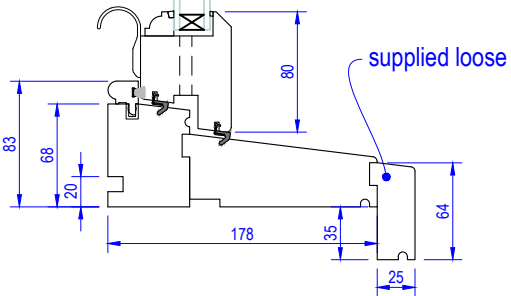
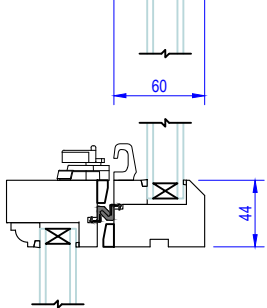
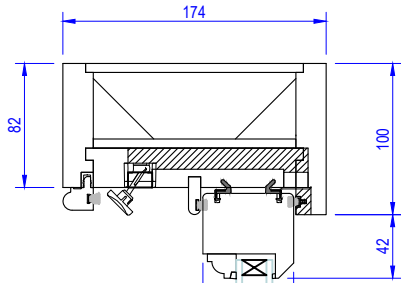


NOTE! ELEVATION DRAWINGS VIEWED EXTERNALLY

SIZES SHOWN IN BLUE ARE FRAME SIZES. A MINIMUM OF 10mm AND MAXIMUM OF 20mm FITTING TOLERANCE SHOULD BE ALLOWED FOR FITTING PRODUCT INTO STRUCTURE

SASH WINDOWS IN EXCESS 100KG SUPPLIED WITH LOOSE SASHES.
LARGE DOORSETS OVER 100KG SUPPLIED WITH LEAVES LOOSE.

		Made-to-order timber windows and doors		Drawing Number <i>LW100746-05</i>	Drawn By DH
		Scale 1:20 & 1:5 @ A4	Revision	Date 27/11/24	
		Job Number <i>100746</i>			
		Project <i>11A FAIRHAZEL GARDENS</i>			
T 01277 353857		www.lomaxwood.co.uk		© COPYRIGHT 2022 LOMAX+WOOD. ALL RIGHTS RESERVED	



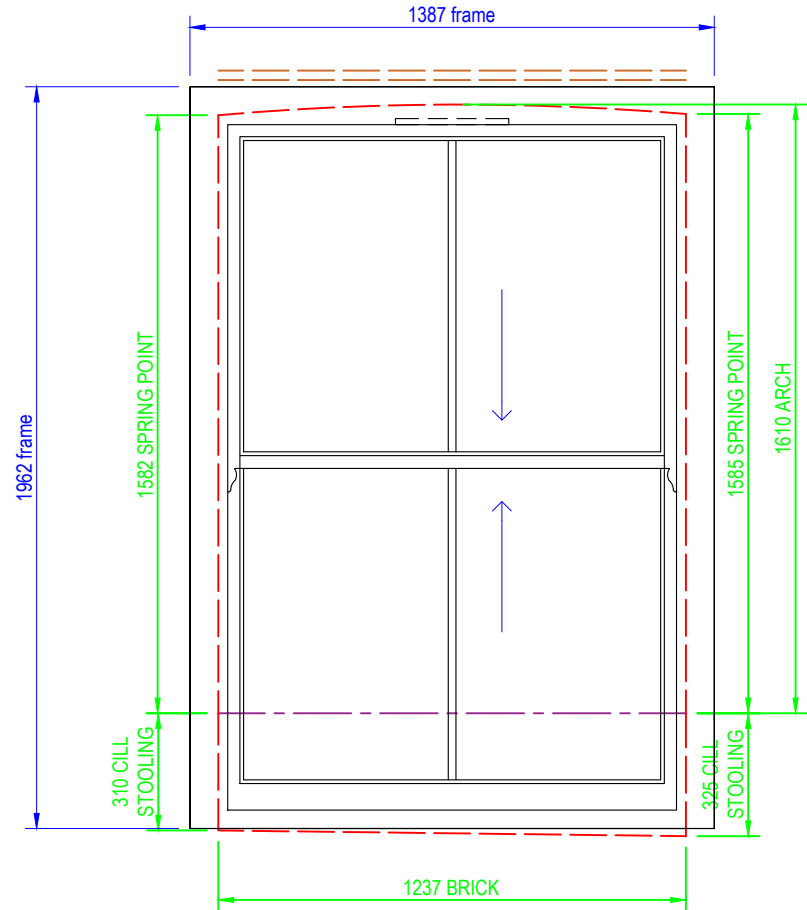
K&C BOX SASH WINDOW

Ref: FF REAR
QTY: 1no.

- ENGINEERED REDWOOD AND OAK CILL
- 3 COAT FACTORY FINISH - PAINT COLOUR - RAL 9010
- 4/16/4 TGH / TGH PLANICLEAR / ARGON/ PLANTITHERM LOW E
- GLASS SPACER - WHITE WARM EDGE SPACER
- GLAZED WITH SECURITY TAPE & SECURITY CLIP
- CLEAR PERIMETER SILICONE SEAL
- WEATHERSEAL COLOUR - WHITE
- 20mm OVOLO GLAZING BAR 18mm INTEGRAL SPACER
- CONCEALED TRICKLE VENT (XR16)
- 25mm CILL EXTENSION (loose)
- SASH HORN TYPE A
- IRONMONGERY FINISH - POLISHED CHROME
 - ROUND END PULLEY WHEELS
 - 2no. HERITAGE LOCKABLE FASTENERS,
 - 2no. SASH LIFTS
 - 2no. ANGEL VENTLOCK
 - 2no. LOCKING VENTLOCK IN CLOSED POSITION

NOTES: SASHES SENT LOOSE


CUSTOMER NOTES: BRICKWORK IF OUT OF LEVEL FRONT TO BACK, AS WELL AS OUT OF PLUMB. INFILLS REQUIRED BY OTHERS, WHERE NEEDED.
EXISTING MORTAR BETWEEN FRAME AND BRICK. TO BE REPLACED BY OTHERS WHERE REQUIRED.
25mm CILL EXTENSIONS TO FINISH BELOW FRAMES TO ALLOW FOR OUT OF LEVEL SUBCILL. CILL EXTENSION TO BE SCRIBED TO SUIT.
FRAME MARGINS WILL VARY DUE TO BRICKWORK.
EXISTING WINDOWS ARE 135mm DEEP. NEW FRAMES WILL SIT INSIDE ROOM. INTERNAL TRIMS/ SUNDRIES BY OTHERS WHERE REQUIRED.
FRAME DIMENSION CALCULATED TO SUIT SMALLEST POINTS.
ADDITIONAL TOLERANCE ALLOWED DUE TO VARIANCES IN BRICKWORK.
VISIBLE FRAME MARGINS WILL VARY DUE TO BRICKWORK.

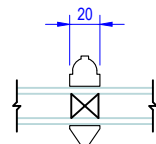
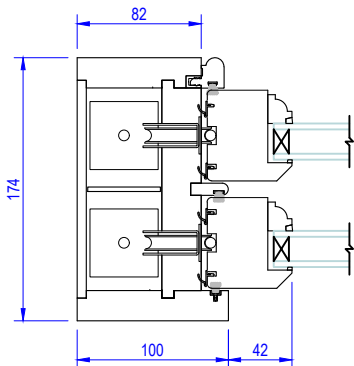
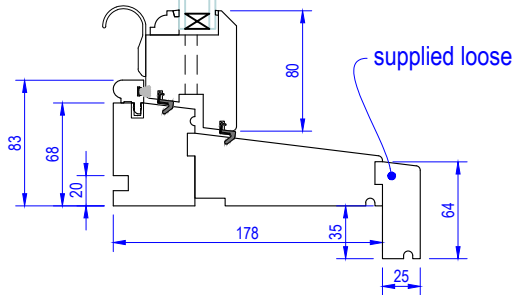
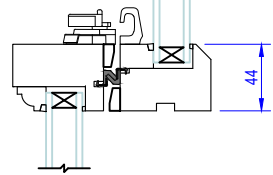
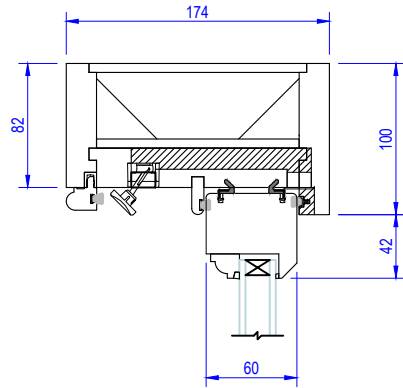


NOTE! ELEVATION DRAWINGS VIEWED EXTERNALLY

SIZES SHOWN IN BLUE ARE FRAME SIZES. A MINIMUM OF 10mm AND MAXIMUM OF 20mm FITTING TOLERANCE SHOULD BE ALLOWED FOR FITTING PRODUCT INTO STRUCTURE

SASH WINDOWS IN EXCESS 100KG SUPPLIED WITH LOOSE SASHES.
LARGE DOORSETS OVER 100KG SUPPLIED WITH LEAVES LOOSE.

		Made-to-order timber windows and doors		Drawing Number <i>LW100746-06</i>	Drawn By DH
		Scale 1:20 & 1:5 @ A4	Revision	Date 27/11/24	
		Job Number <i>100746</i>			
		Project <i>11A FAIRHAZEL GARDENS</i>			
T 01277 353857		www.lomaxwood.co.uk		© COPYRIGHT 2022 LOMAX+WOOD. ALL RIGHTS RESERVED	

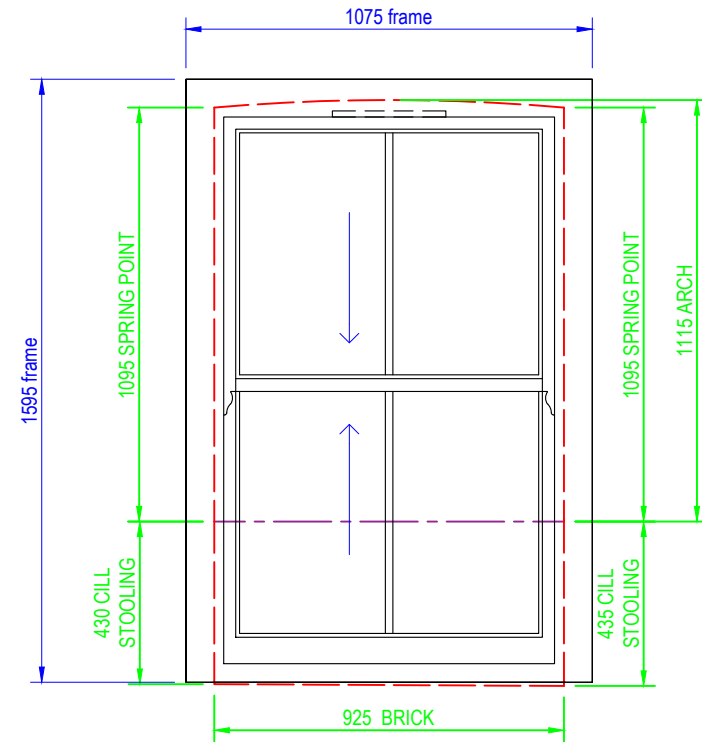


K&C BOX SASH WINDOW

Ref: UTILITY
QTY: 1no.

- ENGINEERED REDWOOD AND OAK CILL
- 3 COAT FACTORY FINISH - PAINT COLOUR - RAL 9010
- 4/16/4 TGH / TGH PLANICLEAR / ARGON/ PLANTITHERM LOW E
- GLASS SPACER - WHITE WARM EDGE SPACER
- GLAZED WITH SECURITY TAPE & SECURITY CLIP
- CLEAR PERIMETER SILICONE SEAL
- WEATHERSEAL COLOUR - WHITE
- 20mm OVOLO GLAZING BAR 18mm INTEGRAL SPACER
- CONCEALED TRICKLE VENT (XR16)
- 25mm CILL EXTENSION (loose)
- SASH HORN TYPE A
- IRONMONGERY FINISH - POLISHED CHROME
 - ROUND END PULLEY WHEELS
 - 2no. HERITAGE LOCKABLE FASTENERS,
 - 2no. SASH LIFTS
 - 2no. ANGEL VENTLOCK
 - 2no. LOCKING VENTLOCK IN CLOSED POSITION


CUSTOMER NOTES: BRICKWORK IF OUT OF LEVEL FRONT TO BACK, AS WELL AS OUT OF PLUMB. INFILLS REQUIRED BY OTHERS, WHERE NEEDED.
EXISTING MORTAR BETWEEN FRAME AND BRICK. TO BE REPLACED BY OTHERS WHERE REQUIRED.
25mm CILL EXTENSIONS TO FINISH BELOW FRAMES TO ALLOW FOR OUT OF LEVEL SUBCILL. CILL EXTENSION TO BE SCRIBED TO SUIT.
FRAME MARGINS WILL VARY DUE TO BRICKWORK.
EXISTING WINDOWS ARE 135mm DEEP. NEW FRAMES WILL SIT INSIDE ROOM. INTERNAL TRIMS/ SUNDRIES BY OTHERS WHERE REQUIRED.
FRAME DIMENSION CALCULATED TO SUIT SMALLEST POINTS.
ADDITIONAL TOLERANCE ALLOWED DUE TO VARIANCES IN BRICKWORK.
VISIBLE FRAME MARGINS WILL VARY DUE TO BRICKWORK.

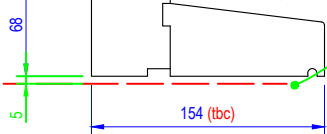
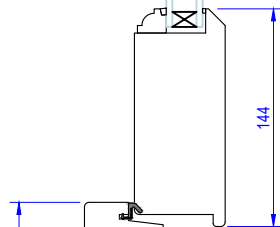
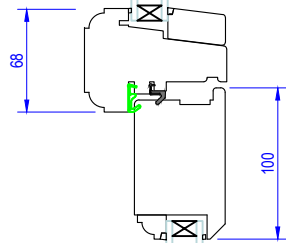
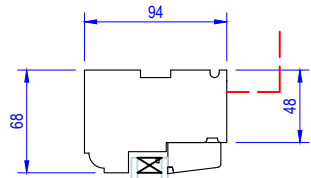
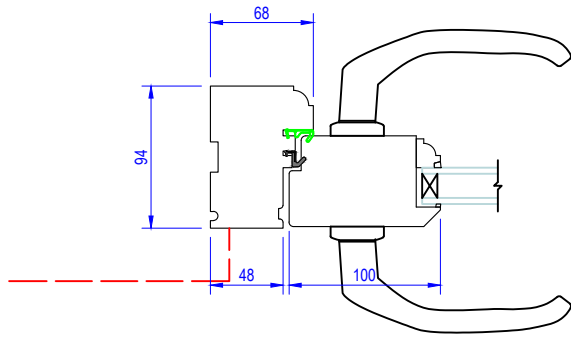


NOTE! ELEVATION DRAWINGS VIEWED EXTERNALLY

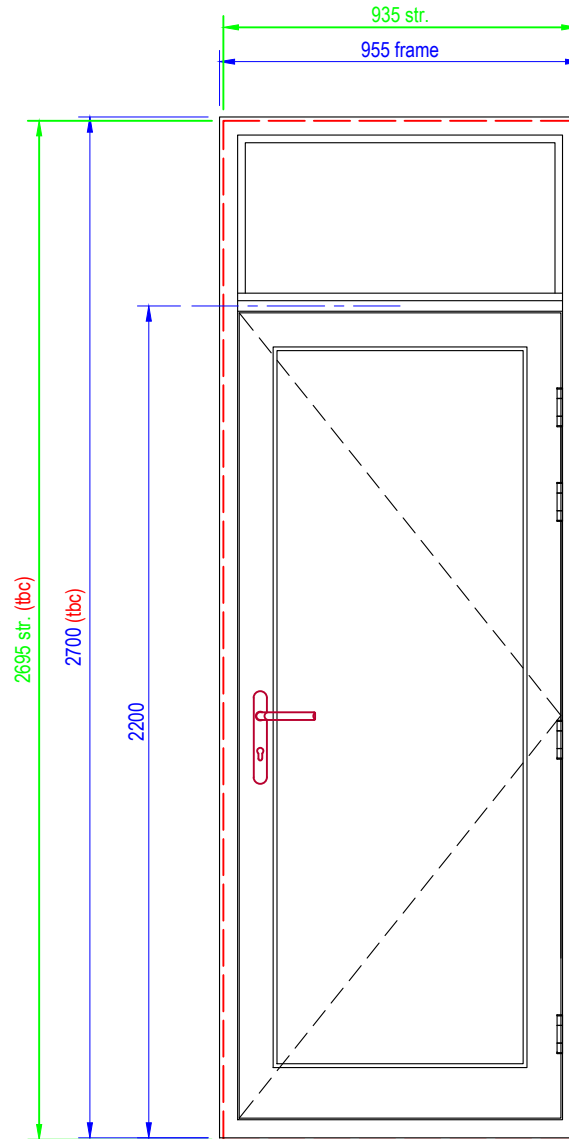
SIZES SHOWN IN BLUE ARE FRAME SIZES. A MINIMUM OF 10mm AND MAXIMUM OF 20mm FITTING TOLERANCE SHOULD BE ALLOWED FOR FITTING PRODUCT INTO STRUCTURE

SASH WINDOWS IN EXCESS 100KG SUPPLIED WITH LOOSE SASHES.
LARGE DOORSETS OVER 100KG SUPPLIED WITH LEAVES LOOSE.

 <p>Made-to-order timber windows and doors</p>	Drawing Number <i>LW100746-07</i>		Drawn By DH
	Scale 1:20 & 1:5 @ A4	Revision	Date 27/11/24
	Job Number <i>100746</i>		
	Project <i>11A FAIRHAZEL GARDENS</i>		
	T 01277 353857 www.lomaxwood.co.uk © COPYRIGHT 2022 LOMAX+WOOD. ALL RIGHTS RESERVED		



suitable external cill details by others

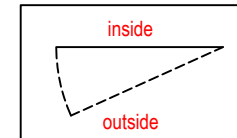


K&C DOORSET OPEN OUT

REF: LANDING
QTY: 1no.

- ENGINEERED EUROPEAN REDWOOD WITH OAK CILL
- 3 COAT FACTORY FINISH
 - CILL - STAINED (NUT)
 - FRAME PAINTED COLOUR - RAL9010
 - SASH PAINTED COLOUR - RAL9010
- 4/16/4 TGH / TGH PLANICLEAR / ARGON/ PLANTITHERM LOW E
- GLASS SPACER - WHITE WARM EDGE SPACER
- GLAZED WITH SECURITY TAPE & SECURITY CLIP
- CLEAR PERIMETER SILICONE SEAL
- WEATHERSEAL COLOUR - WHITE
- NO TRICKLE VENT (XR16)
- 154mm CILL (TBC)
- WINKHAUS AV3 MULTI POINT LOCKING SYSTEM
- NICO HINGE BOLTS
- HANDLES BOTH SIDES
- ISEO R6 KEY/KEY CYLINDERS (NICKE)
- IRONMONGERY FINISH - POLISHED CHROME
 - NICO 3D ADJUSTABLE HINGES
 - PRO-LINEA LEVER HANDLE

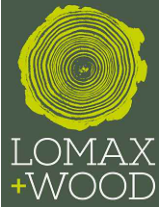
CUSTOMER NOTES: CURRENT OPENING IS A WINDOW. STRUCTURE TO BE ADAPTED. HEIGHT TO BE AGREED AND CONFIRMED. CILL EXTENSION AND SET BACK TO BE CONFIRMED NO FFL PROVIDED



NOTE! ELEVATION DRAWINGS VIEWED EXTERNALLY

SIZES SHOWN IN BLUE ARE FRAME SIZES. A MINIMUM OF 10mm AND MAXIMUM OF 20mm FITTING TOLERANCE SHOULD BE ALLOWED FOR FITTING PRODUCT INTO STRUCTURE

SASH WINDOWS IN EXCESS 100KG SUPPLIED WITH LOOSE SASHES.
LARGE DOORSETS OVER 100KG SUPPLIED WITH LEAVES LOOSE.

		Made-to-order timber windows and doors		Drawing Number <i>LW100746-08</i>	Drawn By DH
		Scale 1:20 & 1:5 @ A4	Revision	Date 27/11/24	
		Job Number <i>100746</i>			
		Project <i>11A FAIRHAZEL GARDENS</i>			
T 01277 353857		www.lomaxwood.co.uk		© COPYRIGHT 2022 LOMAX+WOOD. ALL RIGHTS RESERVED	