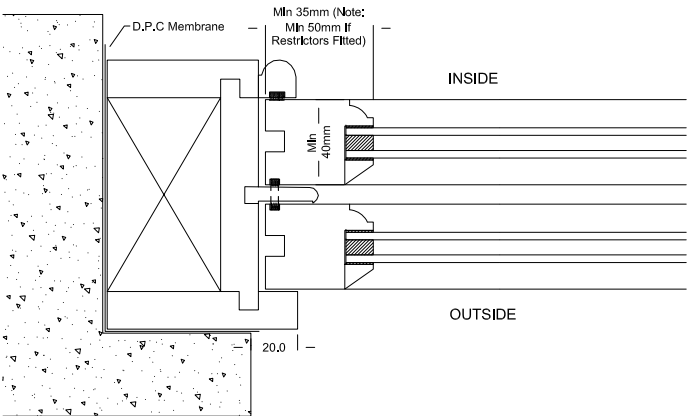
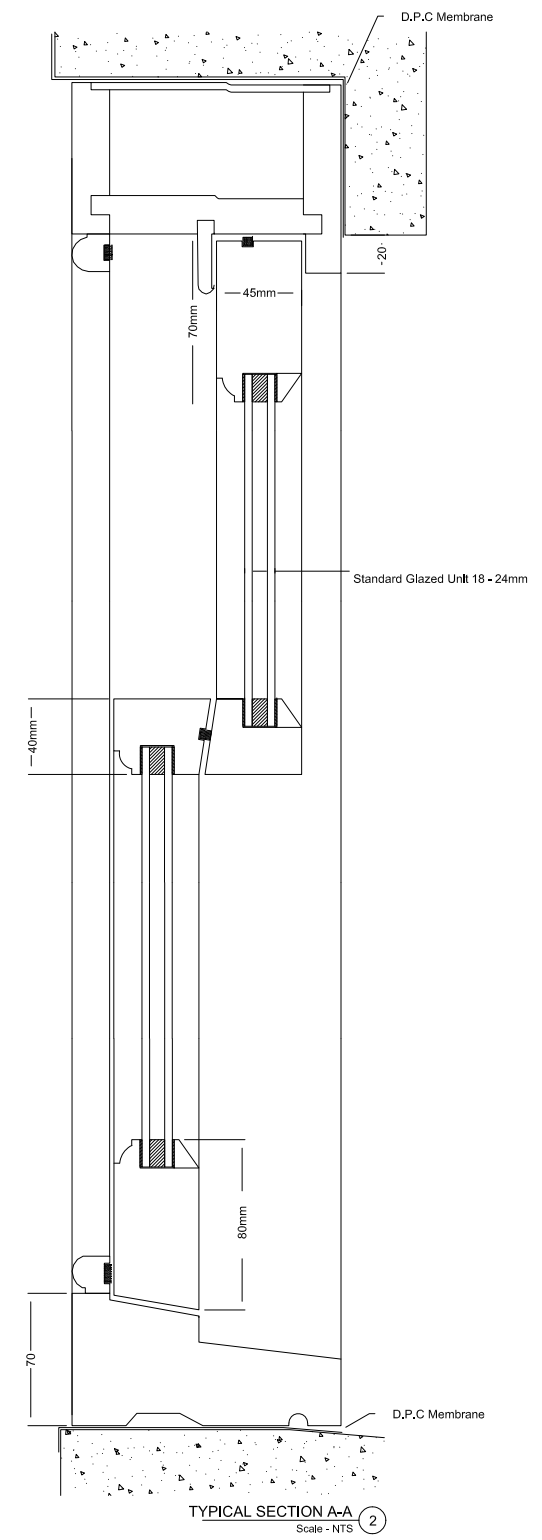
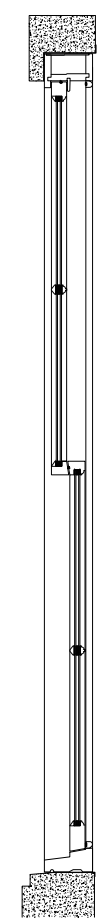
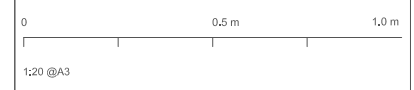


1 TYPICAL ELEVATION  
External View  
Scale - NTS



3 SASH BOX CROSS SECTION (B-B)  
Scale - NTS



Project Name <b>49 Patshull Road</b>	
Drawing Title <b>Sash Window Section Details</b>	
Drawing No. <b>49PR-DR-PL-05401</b>	
Date <b>12 Nov 2024</b>	Scale <b>1:4 A3</b>

Notes