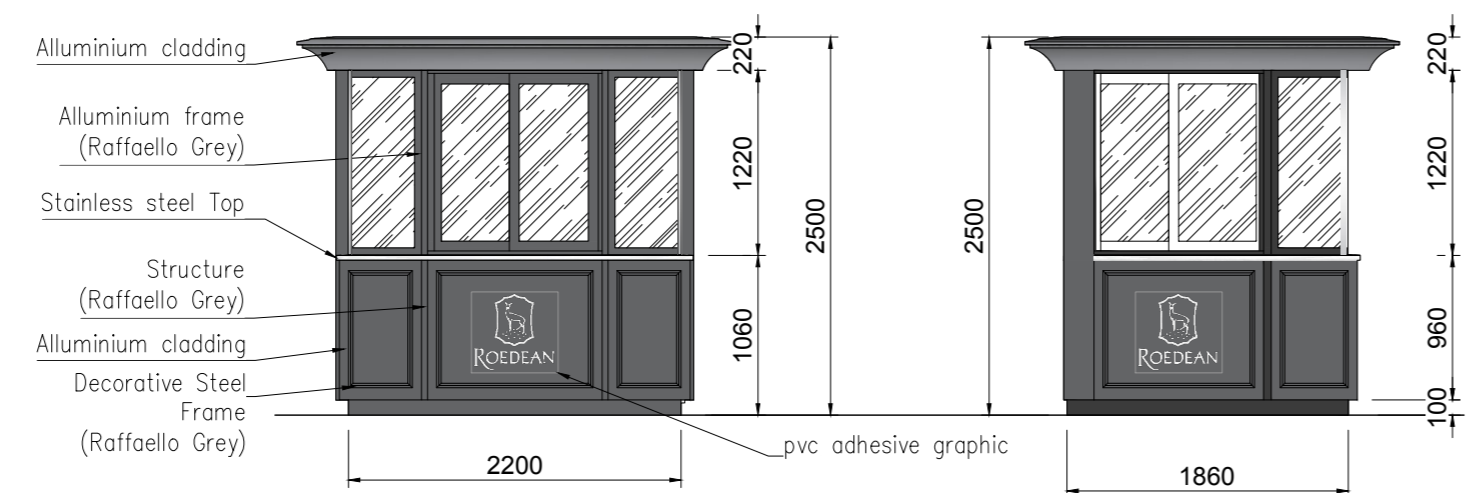


Section C-C
scale 1:10

Section A-A
scale 1:10

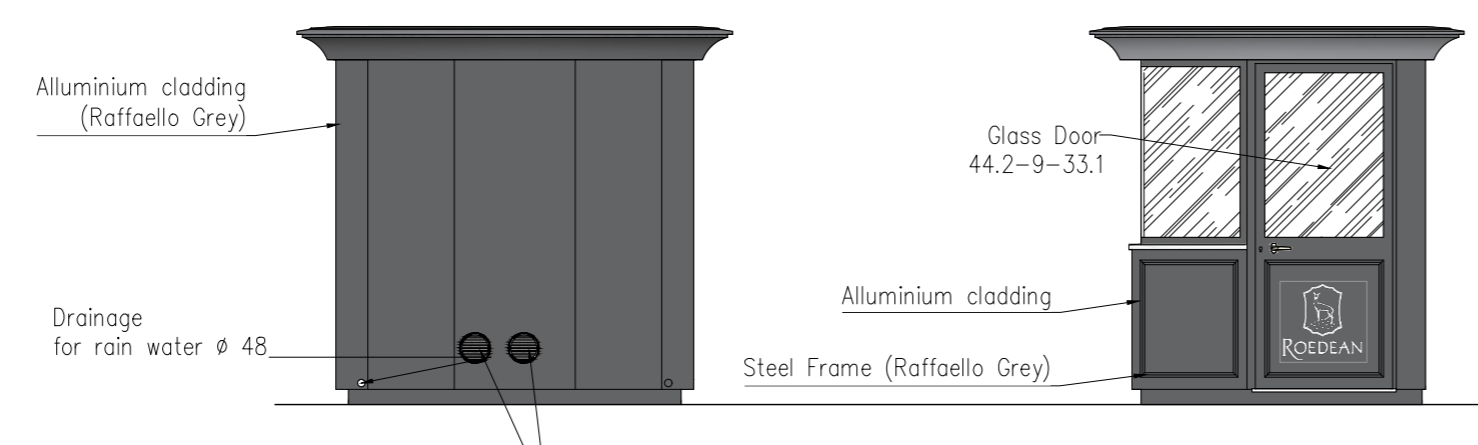
Section B-B
scale 1:10

Color
Raffaello Grey
Structure and Window frame



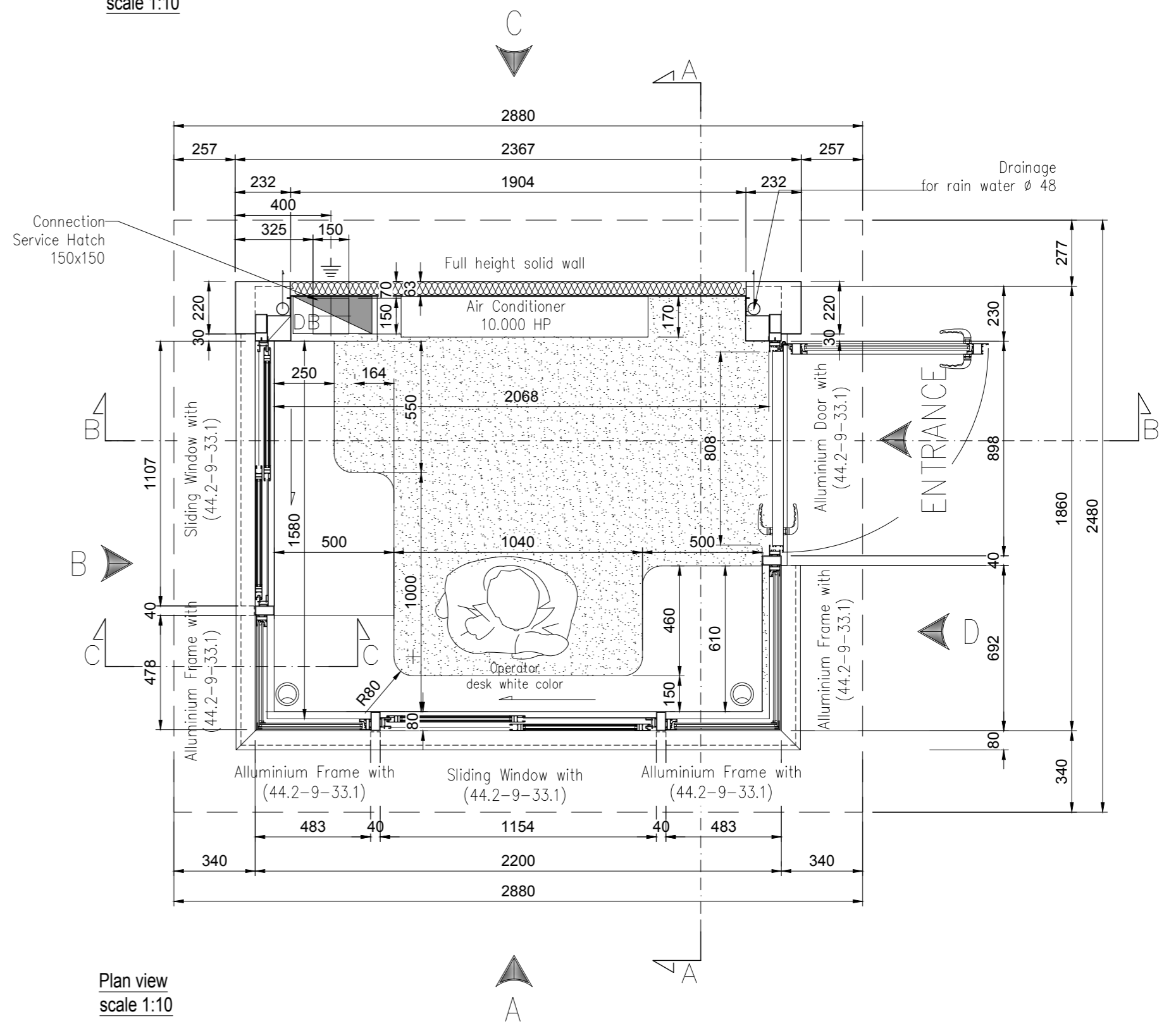
Elevation A
scale 1:20

Elevation B
scale 1:20



Elevation C
scale 1:20

Elevation D
scale 1:20



Plan view
scale 1:10

VARIAZIONI IN CORSO D'OPERA (EVIDENZIARE CON PENNA ROSSA)

DESCRIZIONE	DATA	SIGLA

ASTECO INDUSTRIA s.p.a.
Steel Structures and Modular Buildings

Via della Ecologia, snc - SANTA PALOMBA 00071 POMEZIA (ROMA)

DRAWN F.M. CHECKED DS PROJECT PS APPROVED DT CHECKED BLOC DATE 14/09/19	Security Kiosk Roedean School, Brighton Address: Brighton Project: Security Kiosk Dimension Floor: 2880 x 2480 x 2500h Paper Size: 630x420mm NOTE: ASTECO INDUSTRIA reserves the copyright rights on this drawing and the same cannot be reproduced or transferred to third parties without its written authorization.	Mod. 03_19_Rev.01 Nr. AI 20/19 REV. 01
--	--	---