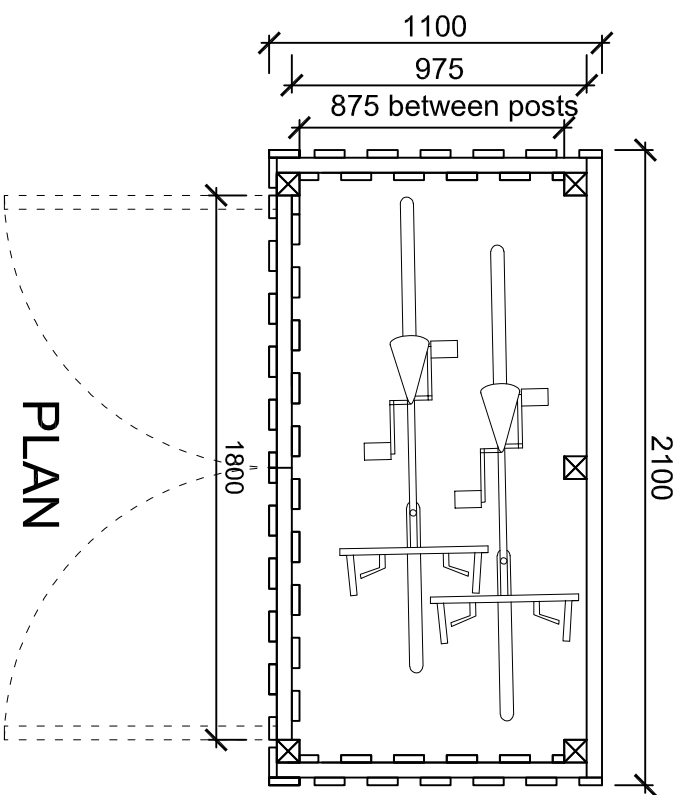
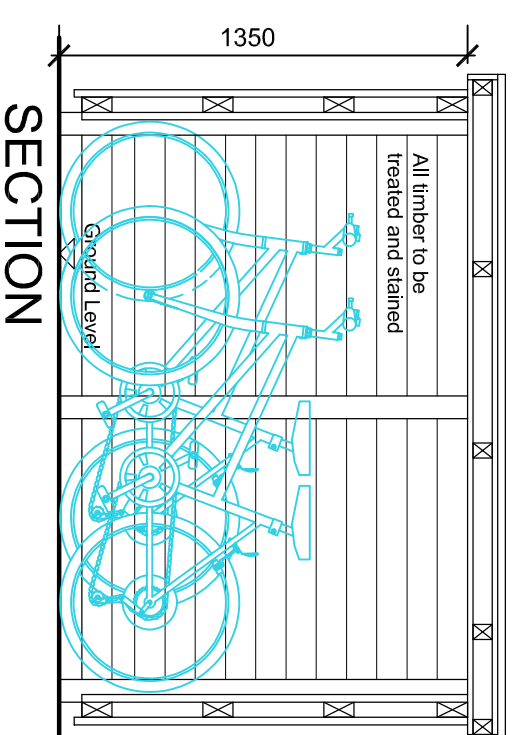
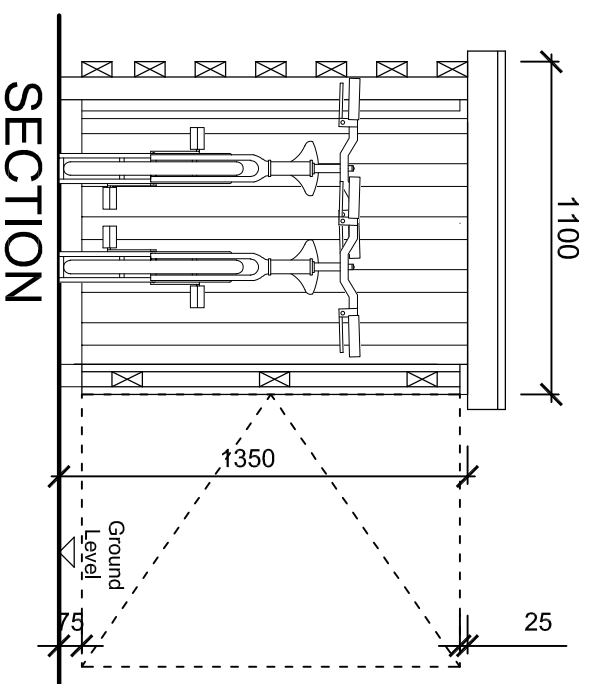
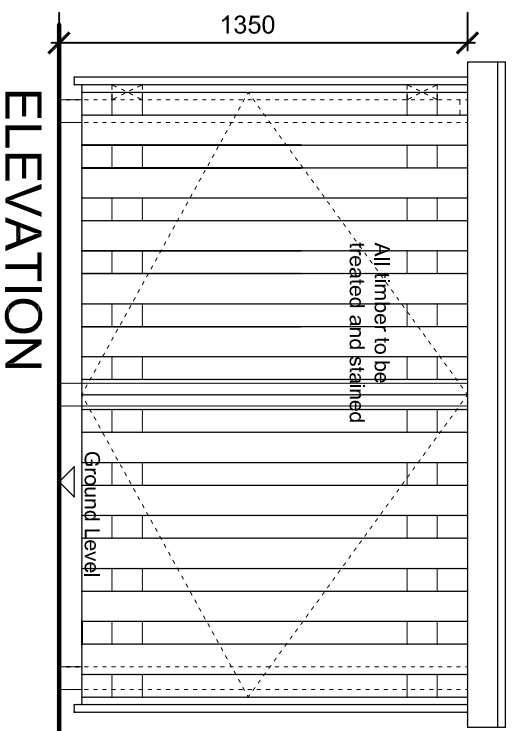


NOTE: All dimensions to be checked on site.



BIKE STORE



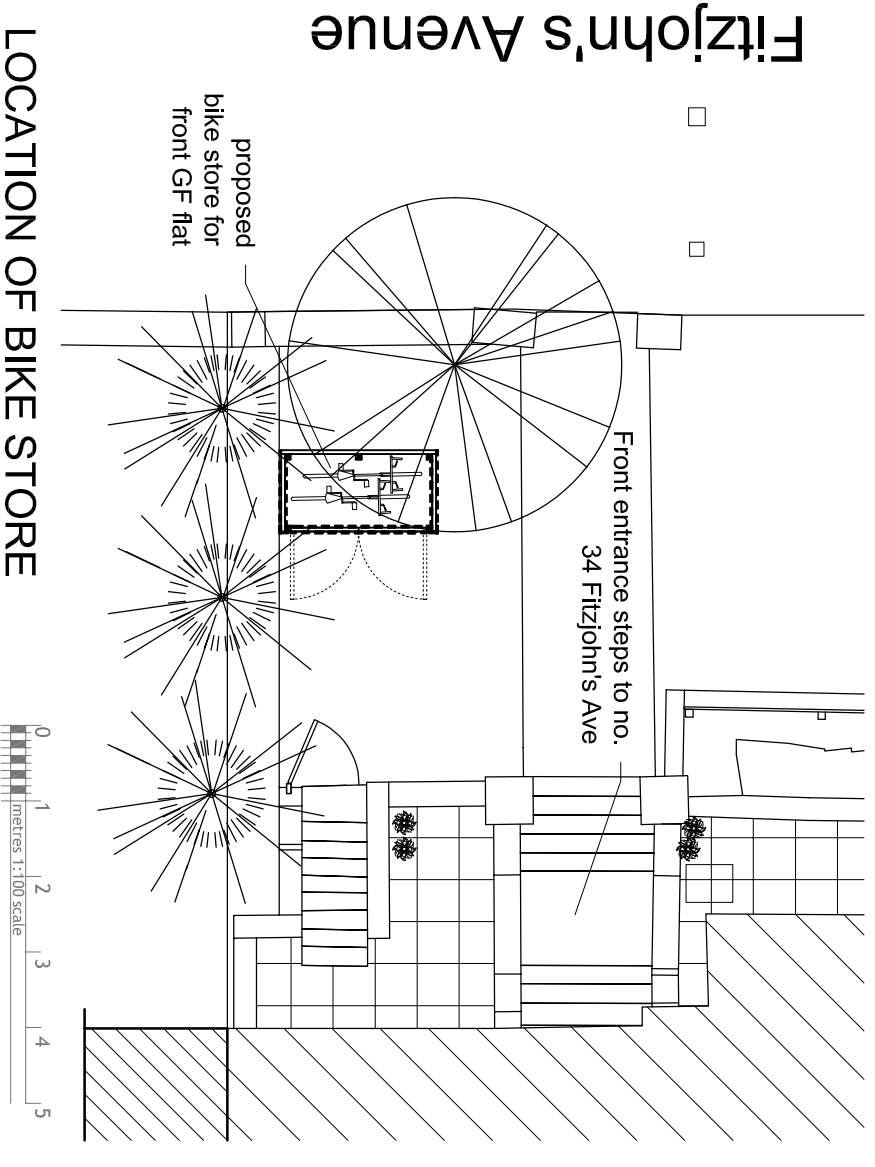
PLAN

ELEVATION

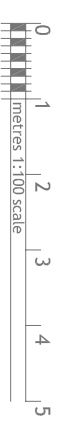
SECTION

SECTION

Fitzjohn's Avenue



LOCATION OF BIKE STORE



REV
A - 19.11.2024

Scale: 1:25, 1:100 @ A3
Landscape
Date: 13.08.2024
Drawn: AU

Job
34 Fitzjohn's Avenue
London, NW3 5NB

Drawing No.
05/1134/PLAN200_A.

FARROW SILVERTON
CHARTERED ARCHITECTS & DESIGN CONSULTANTS

6 HALE LANE MILL HILL
LONDON NW7 3NX
tel: 020-8906 8502 fax: 020-8906 8503
e-mail: office@farsil.com