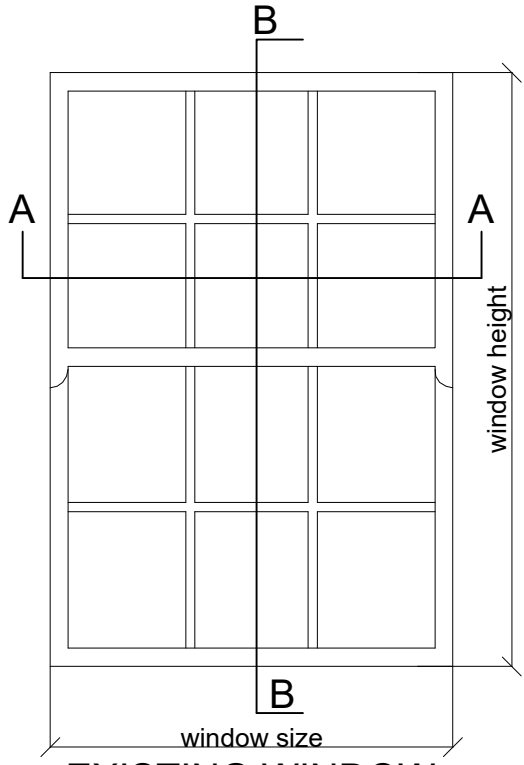


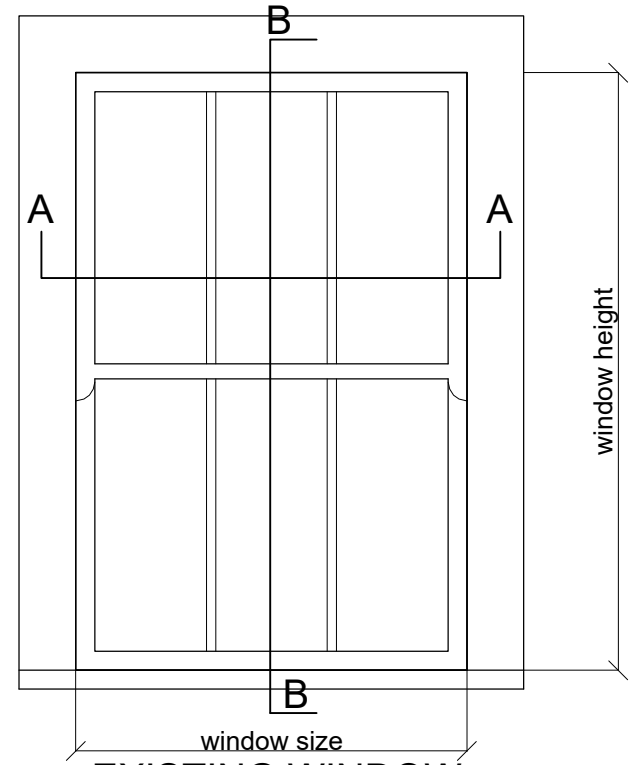
1 2 3 4 5 6 7 8 9 10

A
B
C
D
E
F
G
H

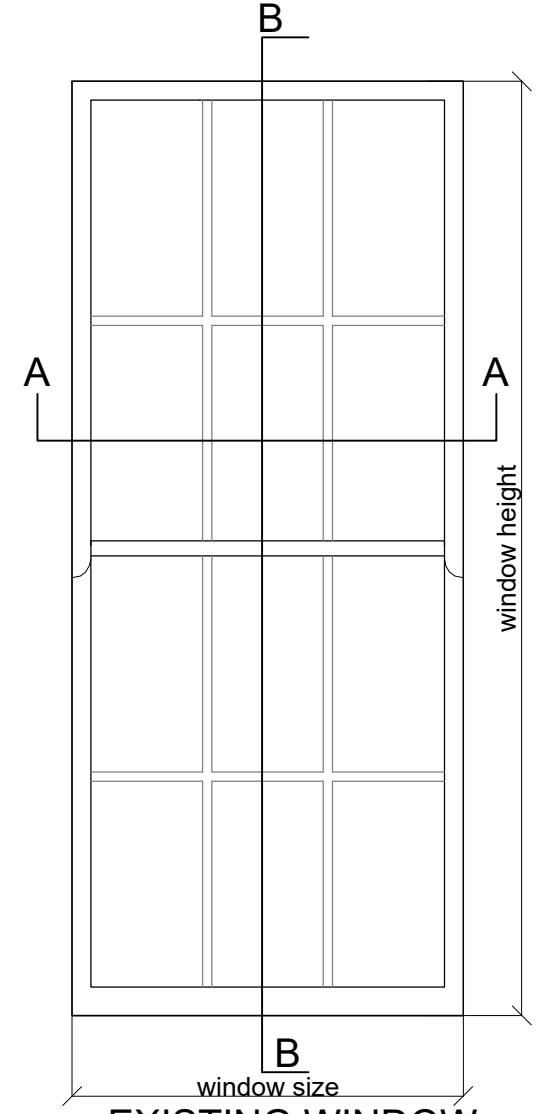
NOTES :



EXISTING WINDOW W5 & W6

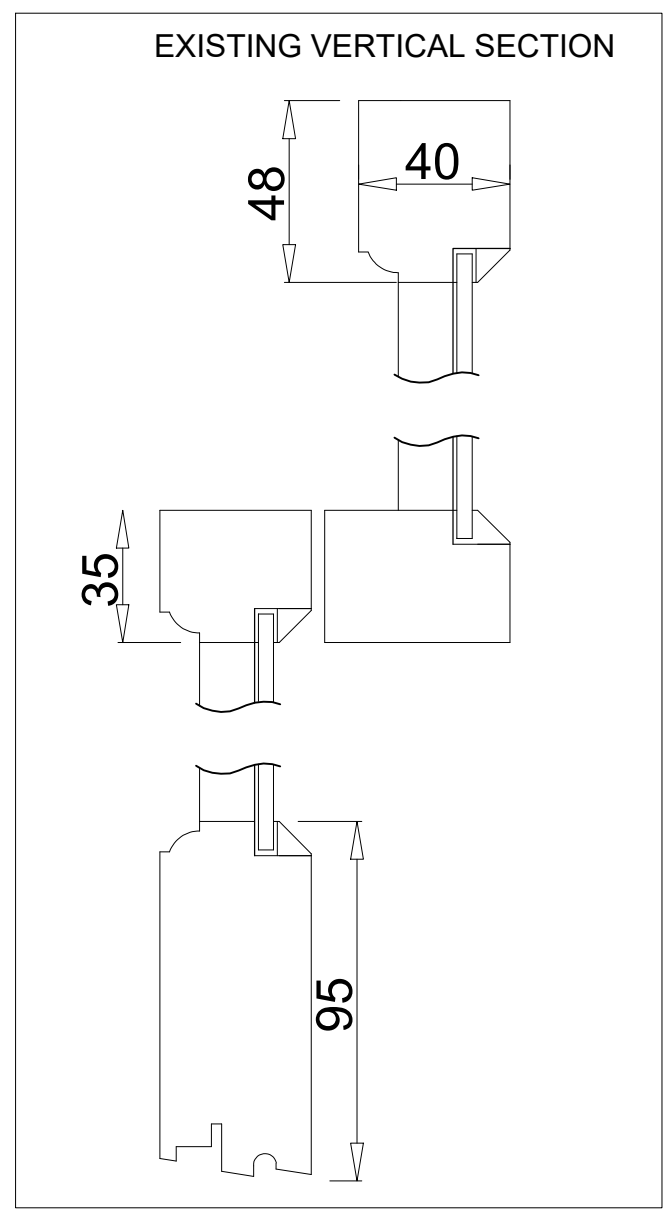


EXISTING WINDOW W3 & W4

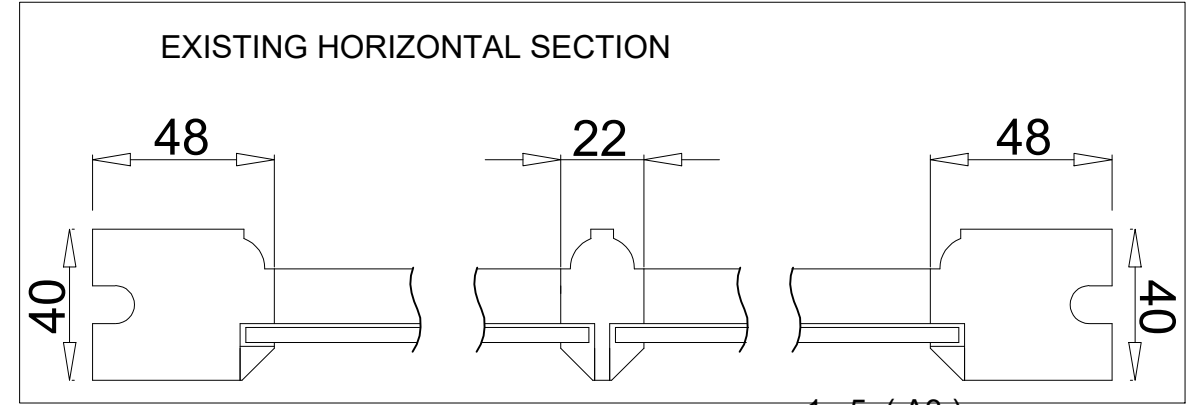


EXISTING WINDOW W1 & W2

1 : 20 (A3)



EXISTING VERTICAL SECTION



EXISTING HORIZONTAL SECTION

1 : 5 (A3)

Date	Revisions

SJR DESIGN LTD.
(ARCHITECTURAL DESIGN & CONSTRUCTION)

Client MR. & MRS. KUL B LUIINTEL

Job Title
114B CAMDEN STREET
CAMDEN
NW1 0HY

Drawing Title
WINDOWS DETAILS
EXISTING

Scale: 1 : 5 / 20 (A3)

Date: JULY 2024

Checked by: Drawn by: RS

Drg No. TP/669/07	Rev.
----------------------	------

1 2 3 4 5 6 7 8 9 10