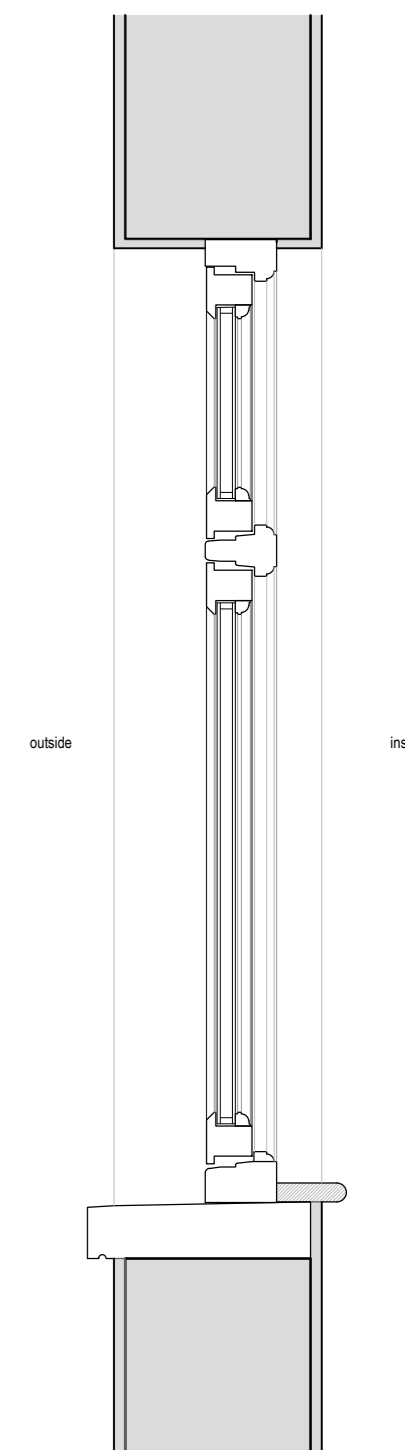
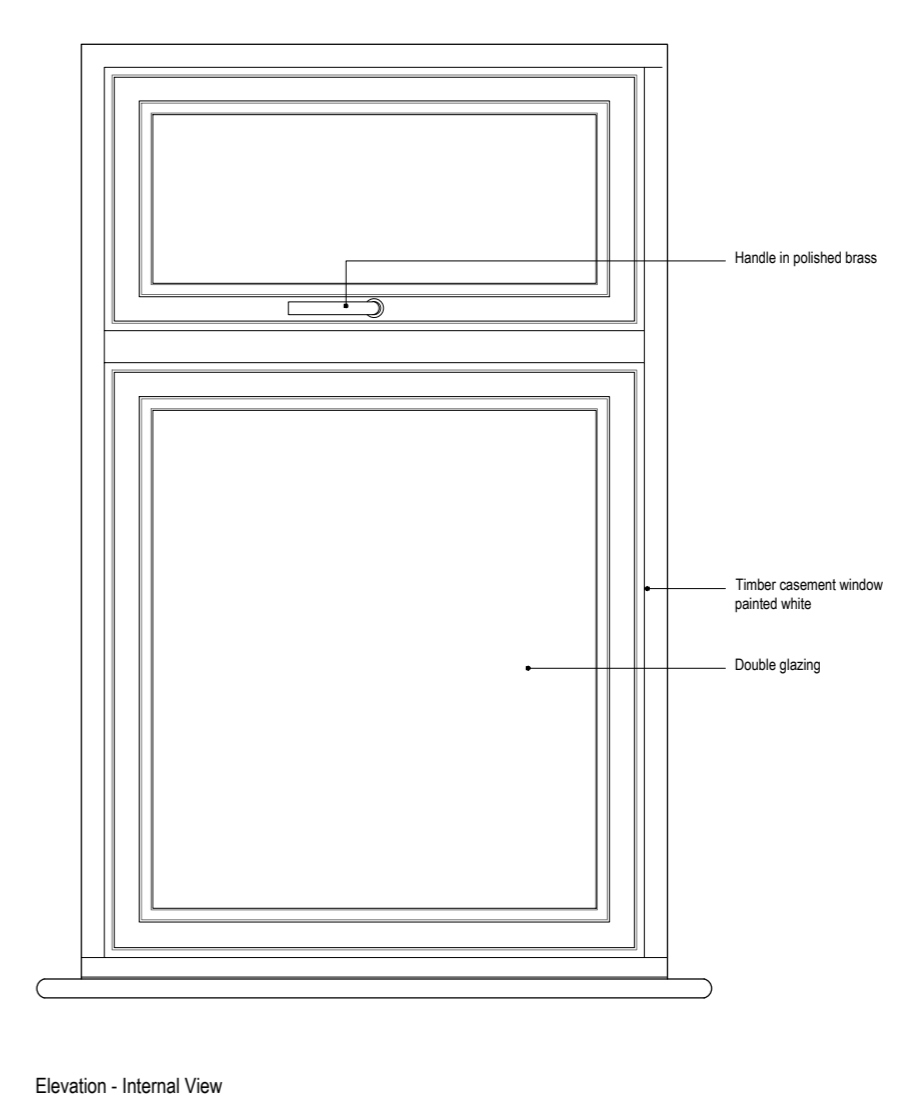
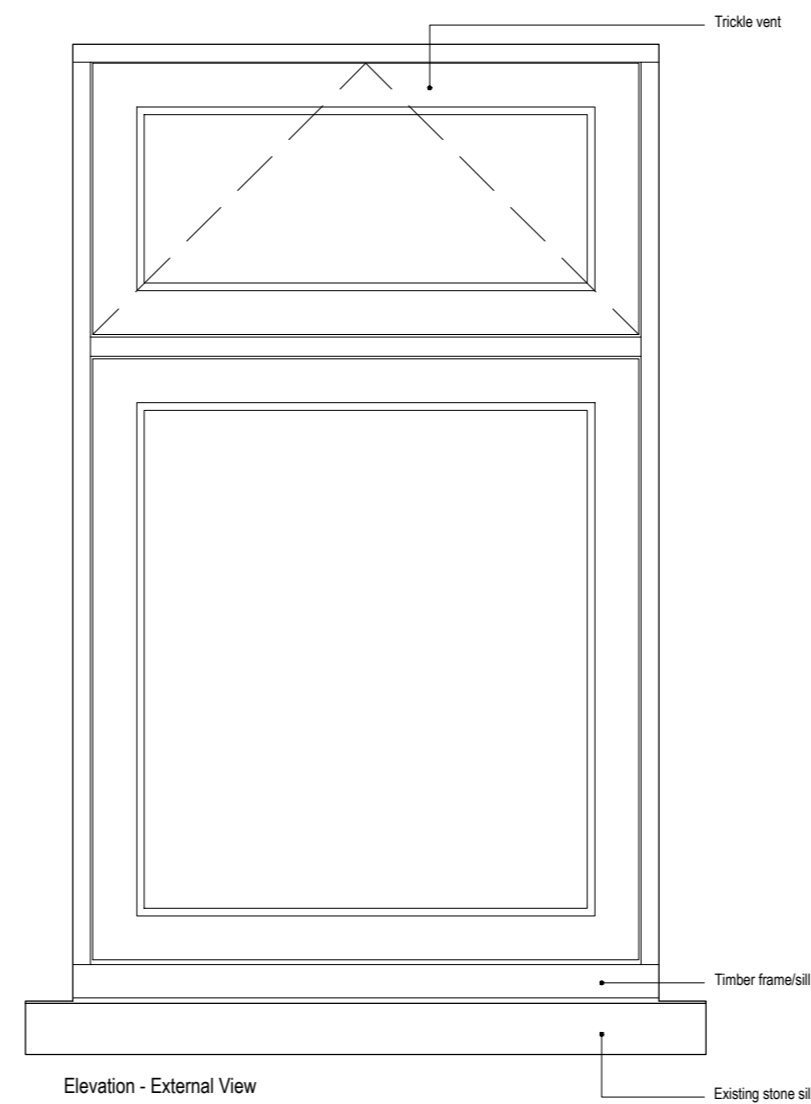
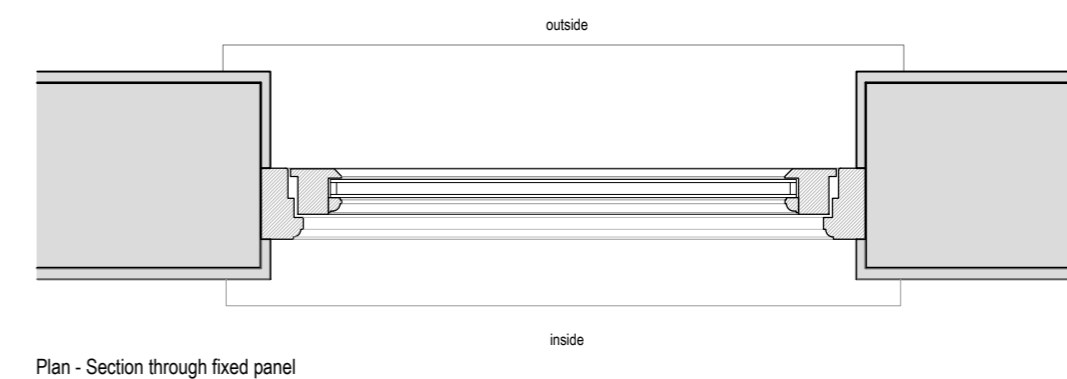


Casement Windows Schedule
scale 1:50

General Casement Window details
Scale 1:10

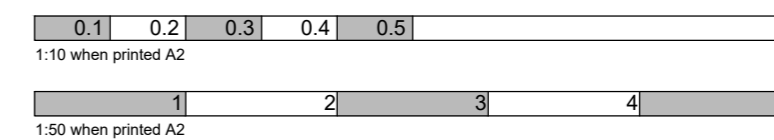


Section



Plan - Section through fixed panel

 Unit 126, The Light bulb, 1 Filament Walk, SW18 4GG 0203 142 7672 www.atelierdb.com	Project:	Zetter Hotel 2-7 Montague Street	Rev:	Date:	By:	Description:
	Drawing Title:	Casement Windows Schedule and Details				
		Planning Condition 4a				
Drawing No:	10202APC4a5	Rev: -	Scale: 1:50/10	Date: 11.10.2024	Drawn: db	Status: Planning



All dimensions shown should be checked on site and discrepancies reported to the Architect prior to construction.
Do not scale from this drawing.
Designs are not coordinated with engineer projects.
Copyright Atelierdb.
50mm @ A2