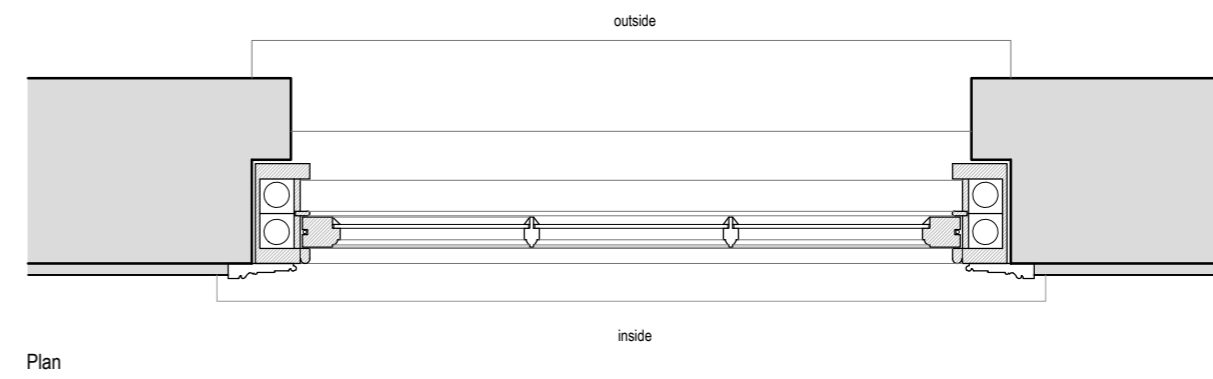
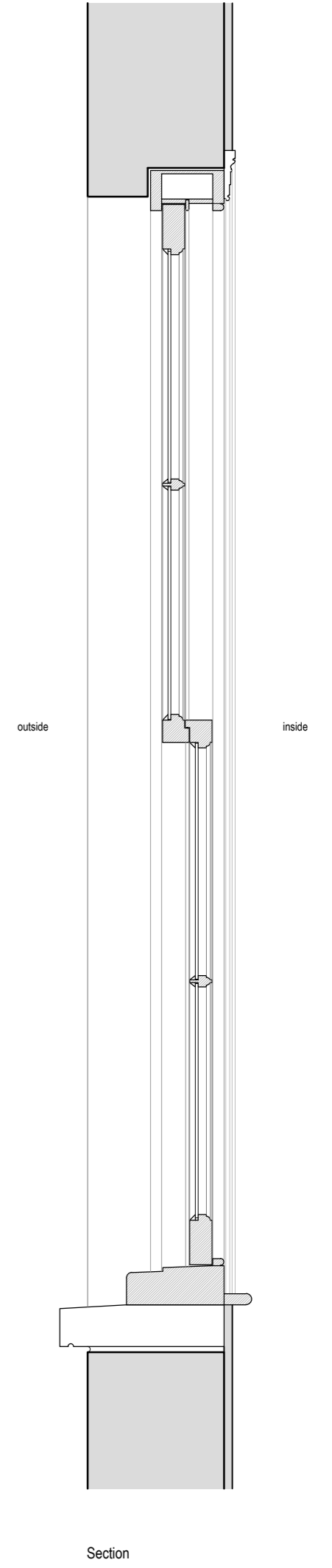
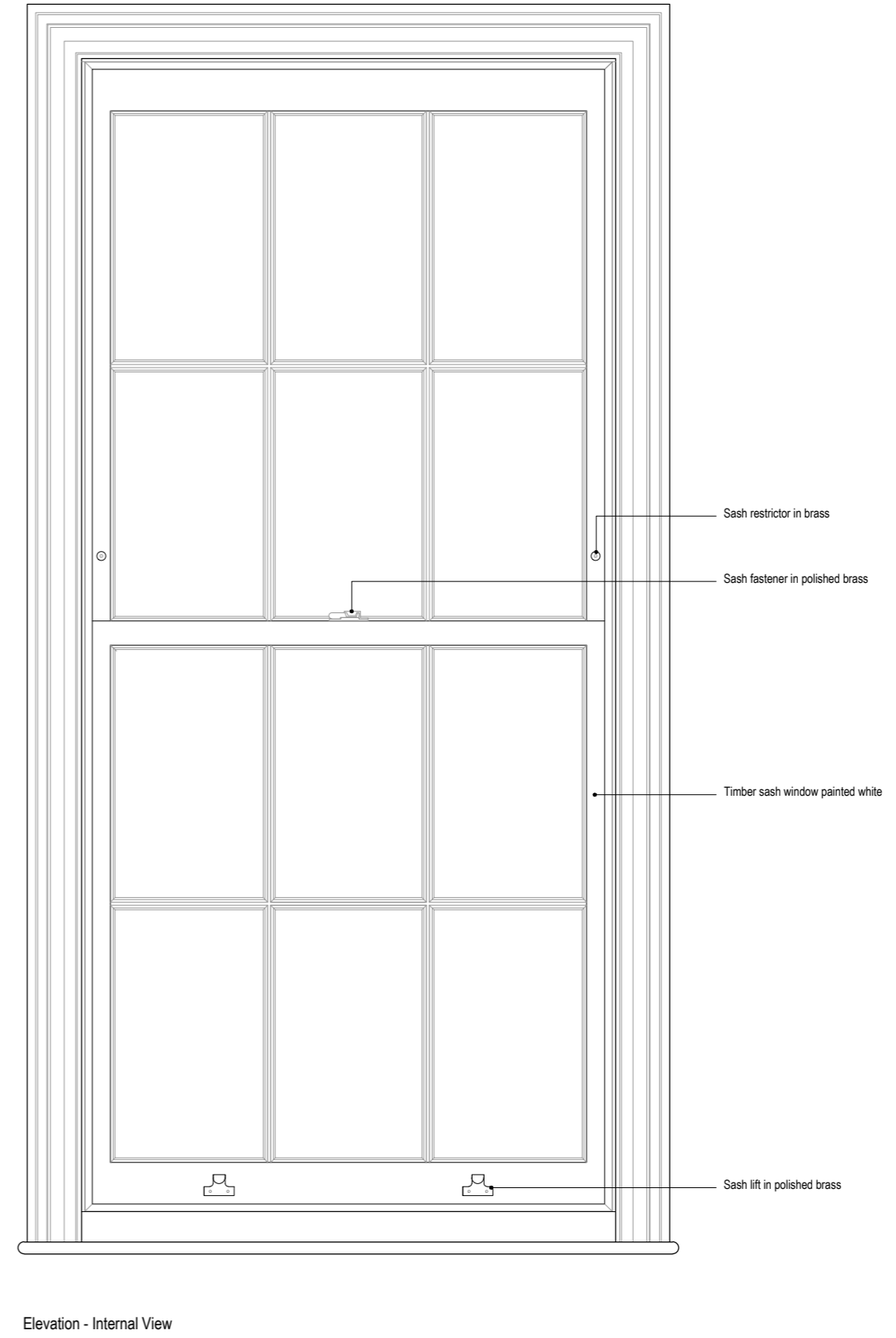
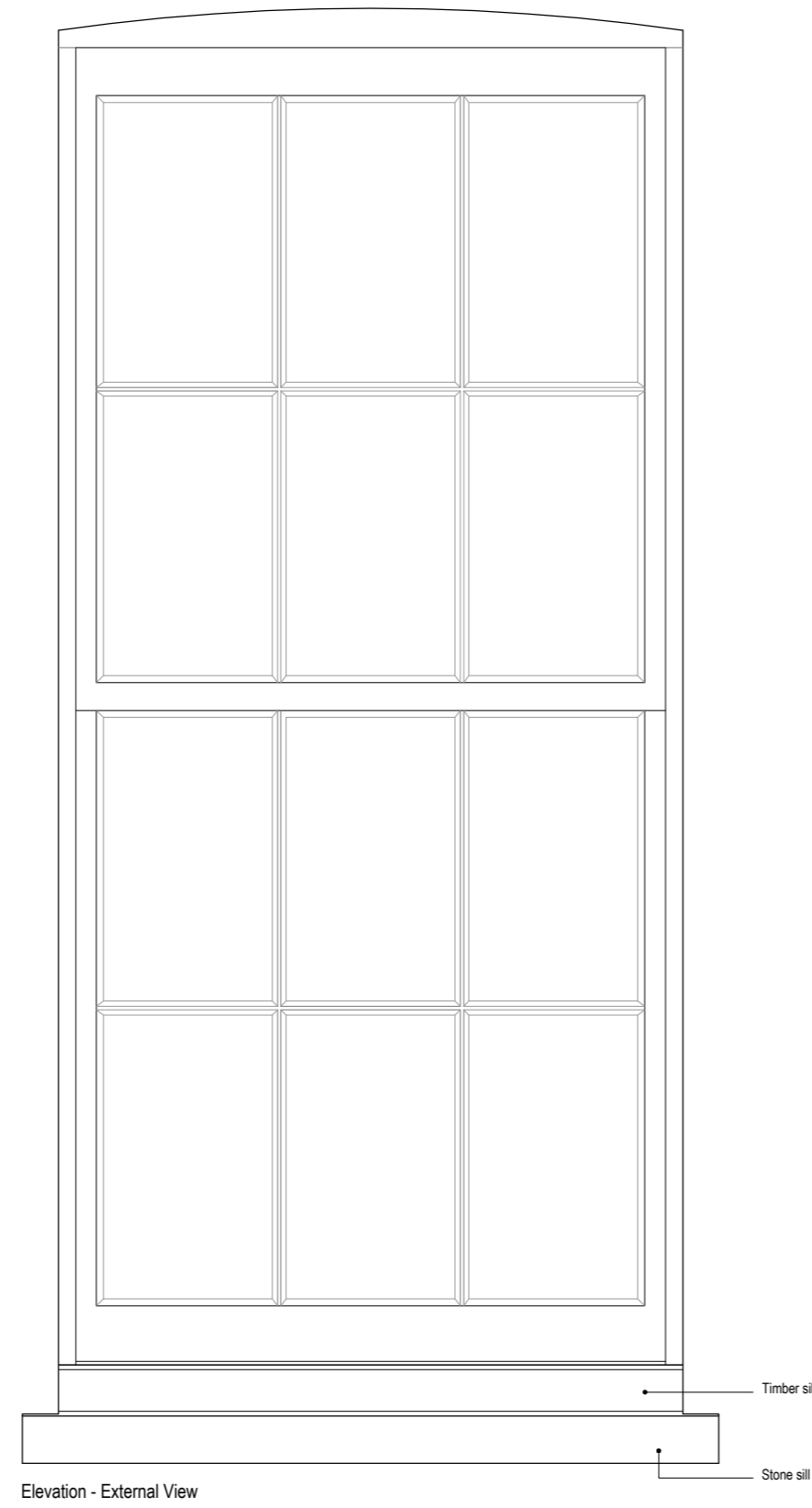
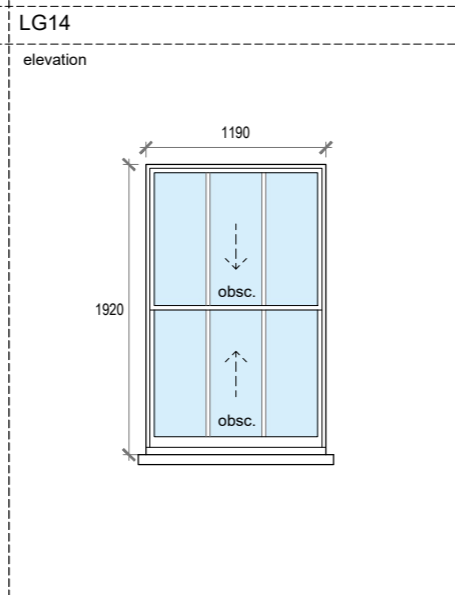
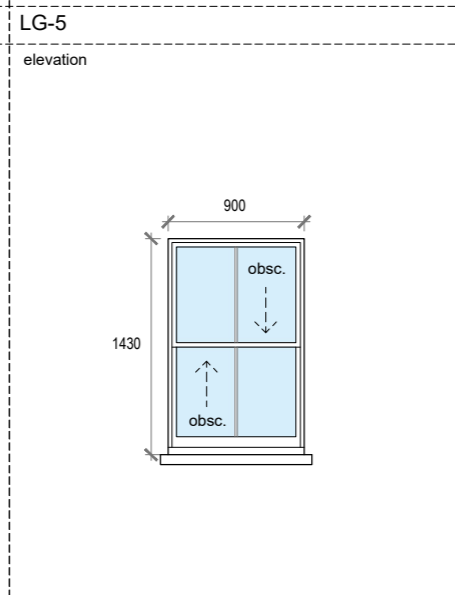
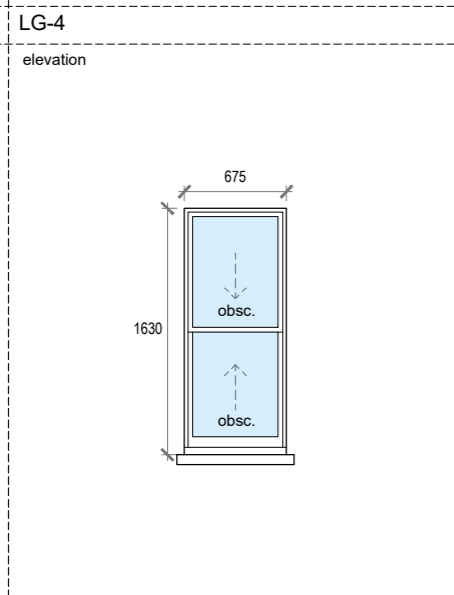
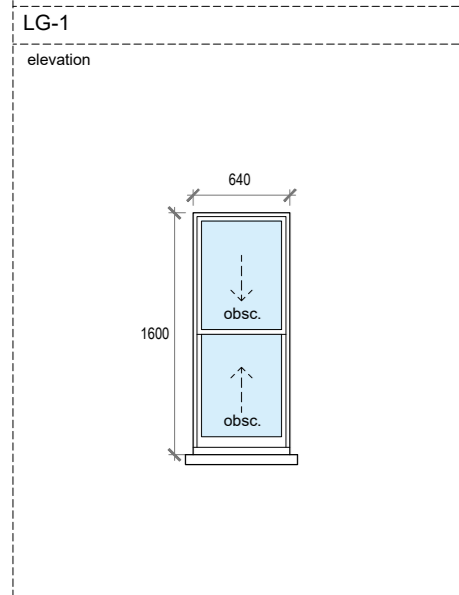
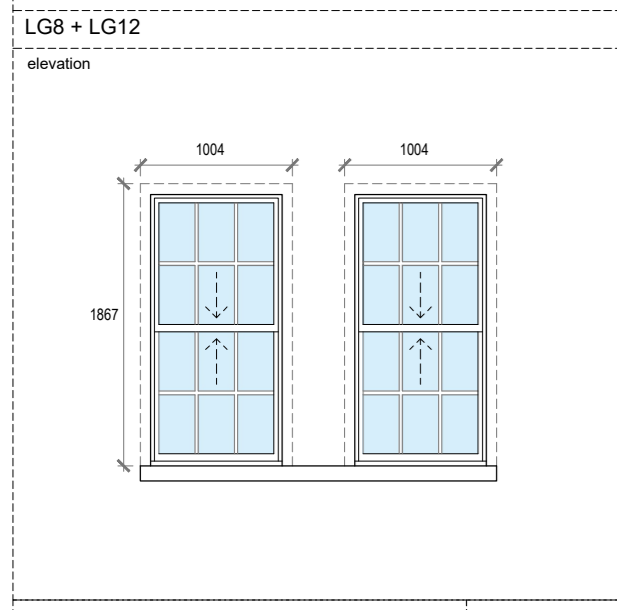
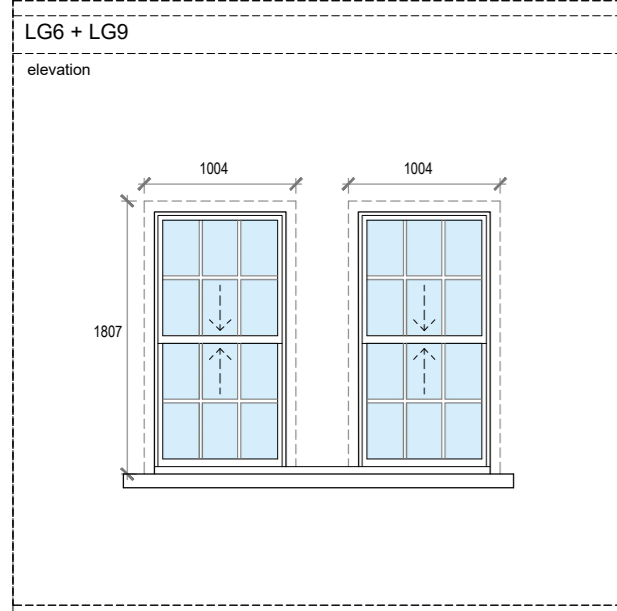
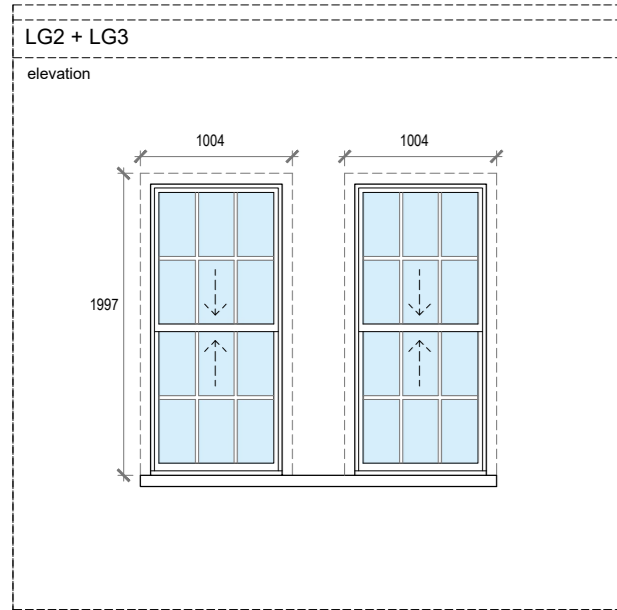


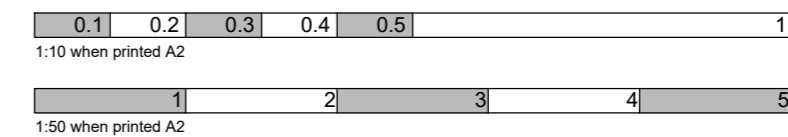
General Sash Window details  
Scale 1:10



Sash Windows Schedule  
scale 1:50

 Unit 126, The Light bulb, 1 Filament Walk, SW18 4GG, 0203 142 7672 www.atelieradb.com	Project:	Zetter Hotel 2-7 Montague Street									
	Drawing Title:	Sash Windows Schedule and Details									
		Planning Condition 4a									
Drawing No:	10202APC4a4	Rev:	-	Scale:	1:50/10	Date:	11.10.2024	Drawn:	db	Status:	Planning

Rev: | Date: | By: | Description:



All dimensions shown should be checked on site and discrepancies reported to the Architect prior to construction.  
Do not scale from this drawing.  
Designs are not coordinated with engineer projects.  
Copyright Atelierdb.