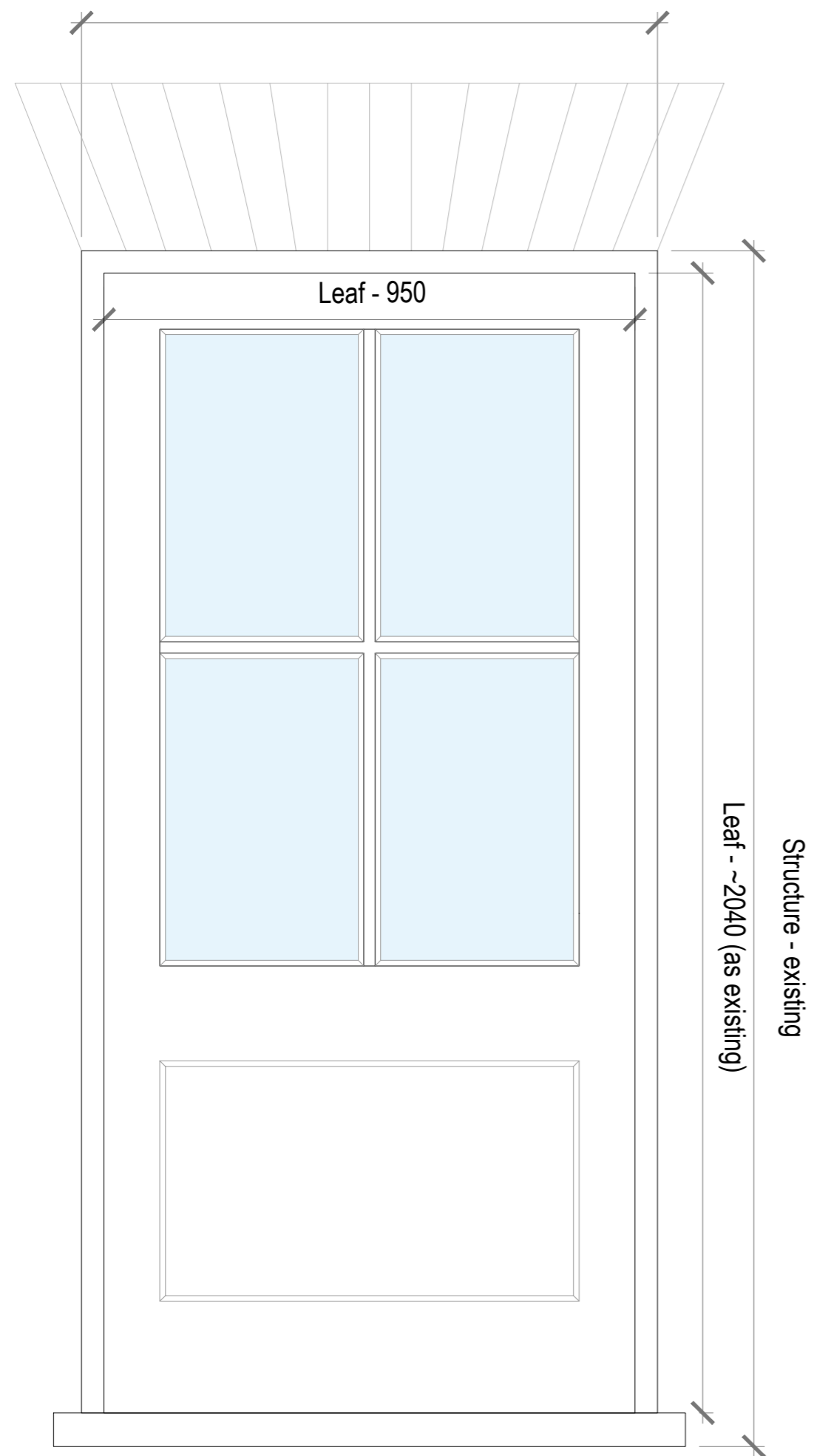
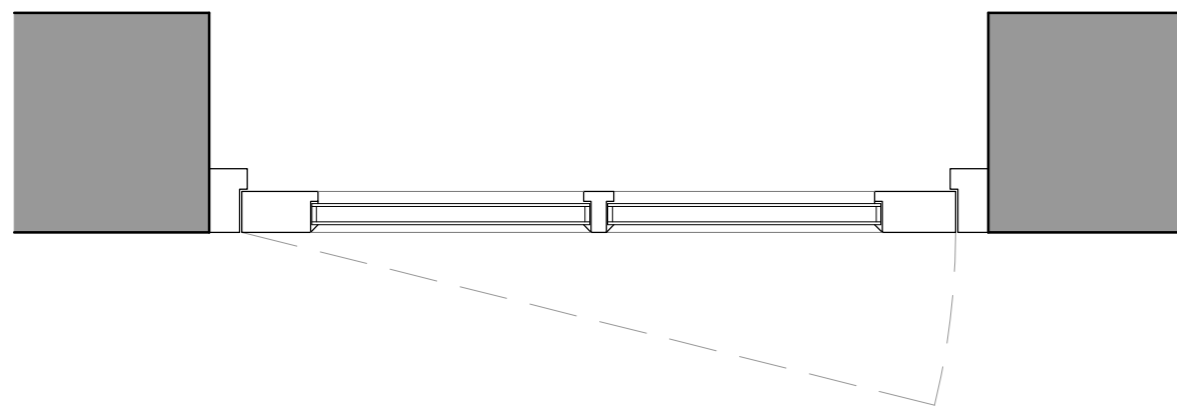


G-6 Gym Emergency Access Structure - existing

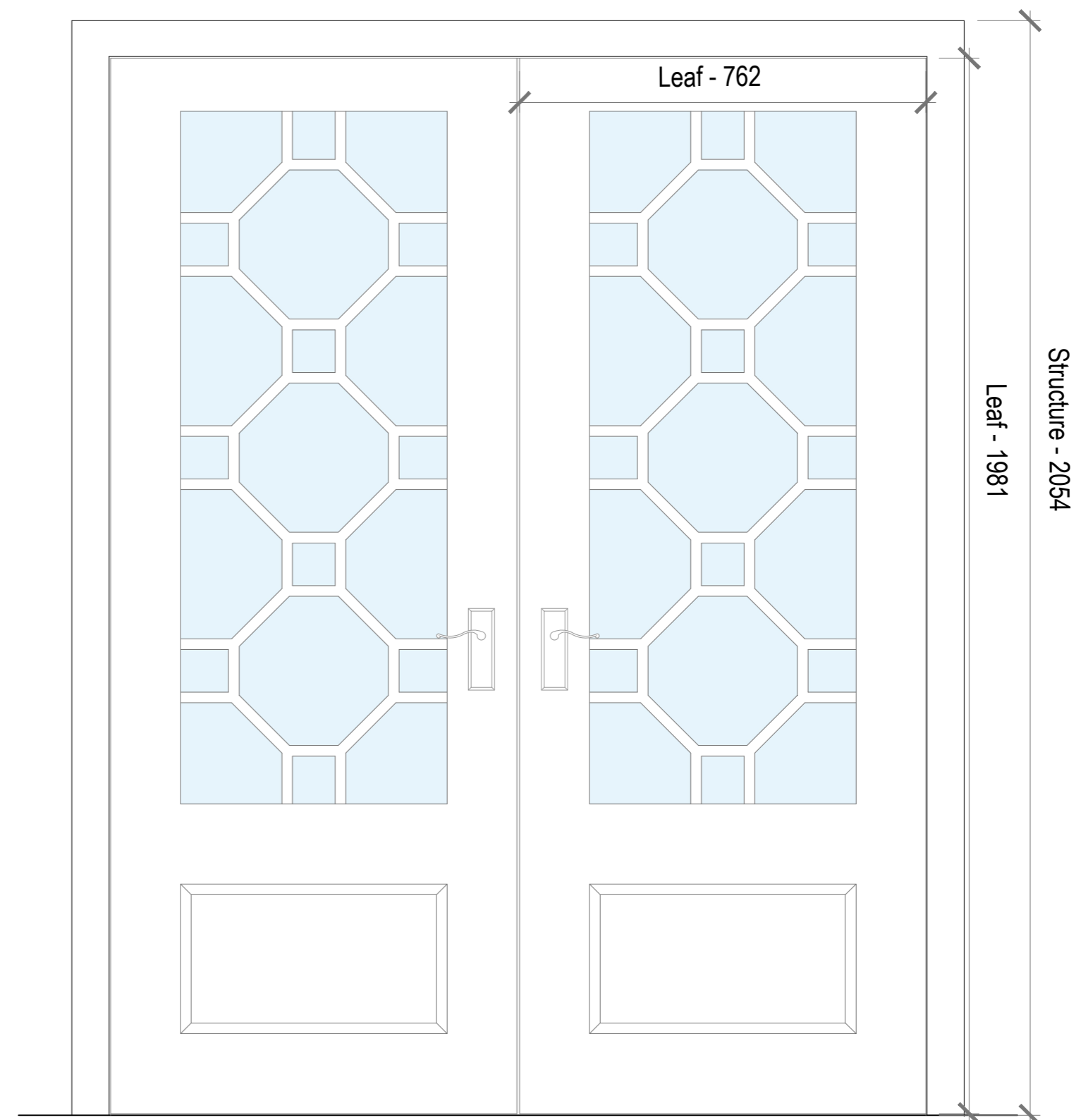


elevation

plan



G-8 Main Entrance



elevation

plan

