

Existing brackets, to have fresh coat of black exterior eggshell paint

Laser cut Stainless Steel lettering,
Mounted to rendered facade by way of
stand off fixings, screwed to facade,
stand off 50mm

Downward facing trough lighting with
warm white LED fitting

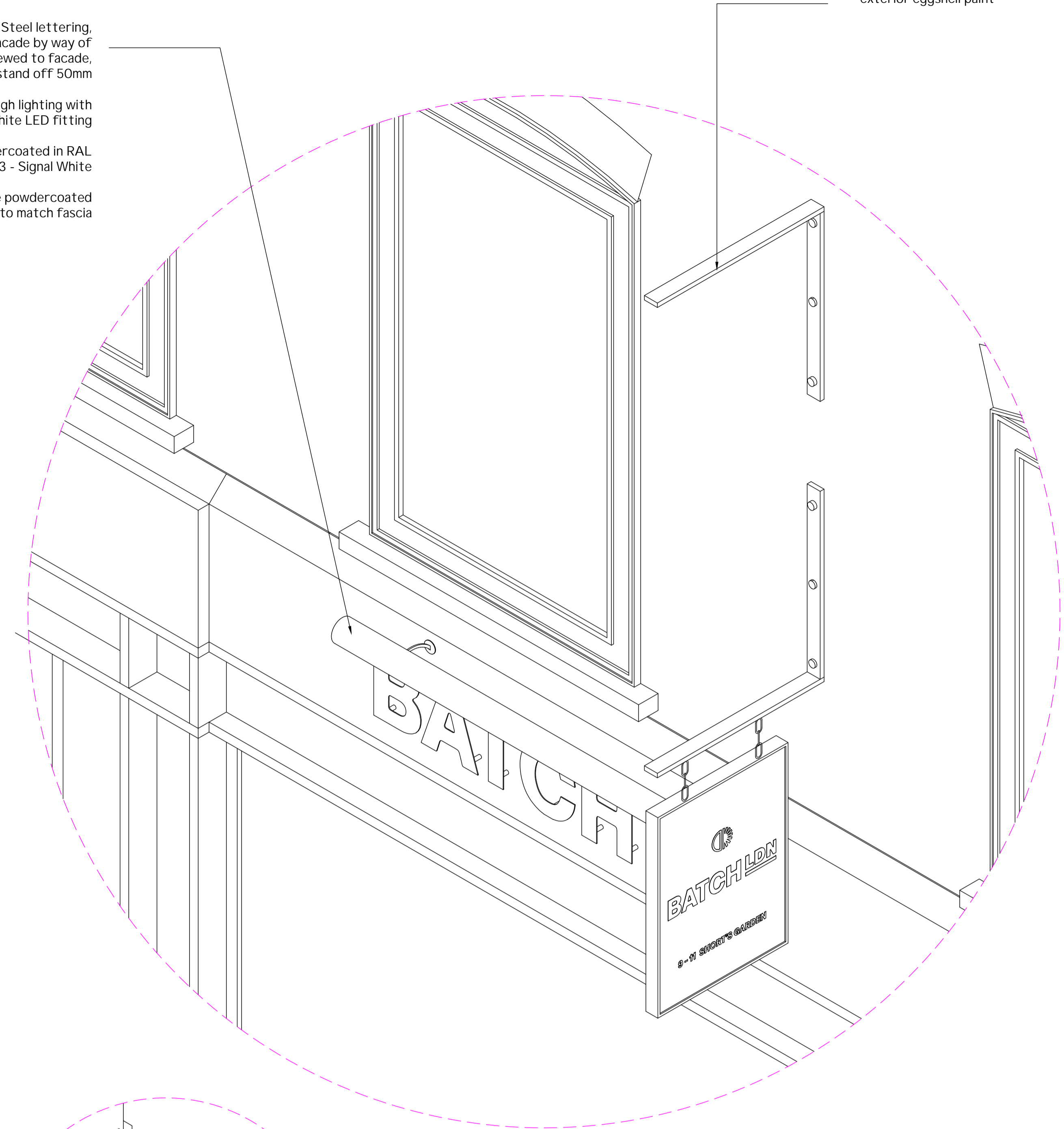
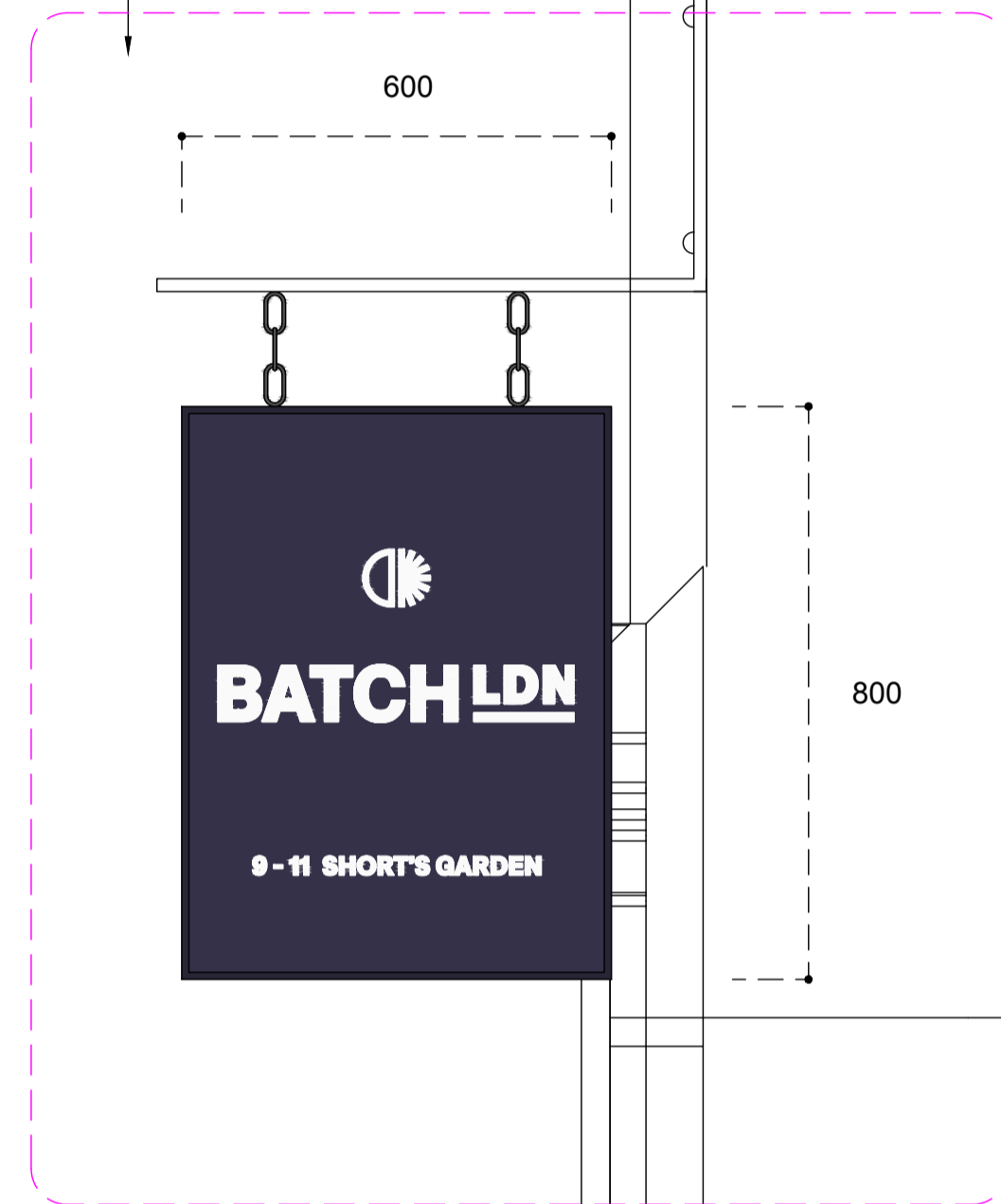
Lettering to be powdercoated in RAL
9003 - Signal White

Stand off fixings to be powdercoated
to match fascia

New swing sign, made from Accoya wood,
painted to finish

Branding to be applied by way of traditional
hand-painting in white paint

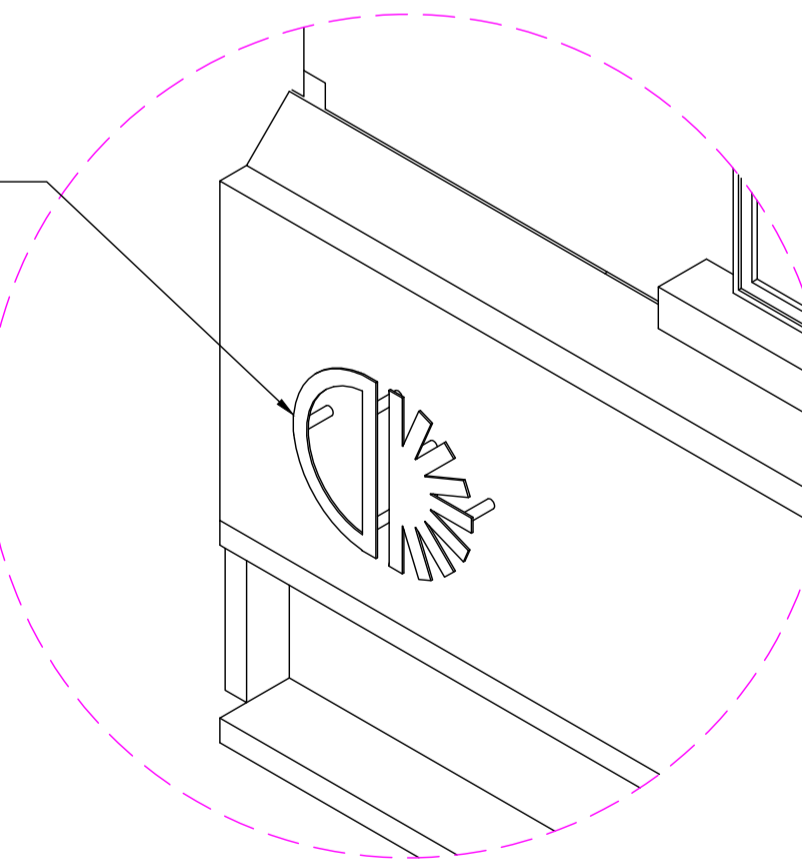
To be hung from existing wall brackets



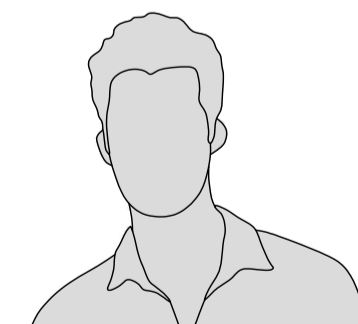
Laser cut Stainless Steel lettering,
Mounted to rendered facade by way of
stand off fixings, screwed to facade,
stand off 50mm

Lettering to be powdercoated in RAL
9003 - Signal White

Stand off fixings to be powdercoated
to match fascia



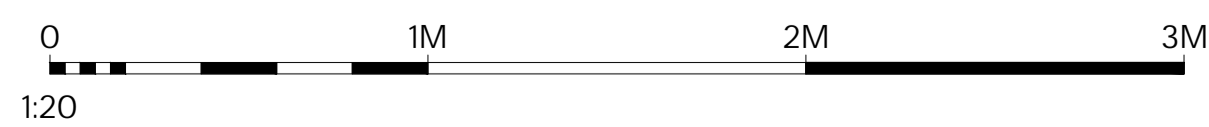
3160



GENERAL NOTES

EXTERIOR SIGNAGE REQUIRES SITE VISIT AND FULL SURVEY
BY SIGNAGE COMPANY BEFORE MANUFACTURING BEGINS TO
DOUBLE CHECK DIMENSIONS.

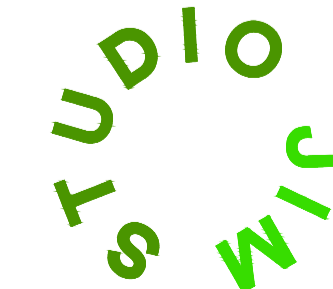
ALL LIGHTING TO BE ASSESSED ON-SITE. ANY UNUSED
LIGHTING TO BE REMOVED AND WALLS AND CEILINGS TO BE
MADE GOOD. ALL LIGHTING TO MEET LOCAL BUILDING
REGULATIONS AND REQUIREMENTS.



REV	DESCRIPTION	DATE
D	AMENDED SIGNAGE	01.11.24
C	COUNTER UPDATES	23.09.24
B	ADDITIONAL DETAILS	03.09.24
A	INITIAL DRAWING PACK	08.08.24
00	SPATIAL PLANNING	10.07.24

PROJECT	SHORTS GARDENS
DRAWING TITLE	PROPOSED SIGNAGE
CLIENT	BATCH LDN

DRAWN BY	JIM BUTTERELL
DATE	01 NOVEMBER 2024
	www.studiojim.co hey@studiojim.co 07855 757 993



SCALE	1:10	SHEET SIZE	A1
DRAWING NO.	001E	REVISION	D
DO NOT SCALE FROM THIS DRAWING. USE FIGURED DIMENSIONS IN ALL CASES. CHECK DIMENSIONS ONSITE.			