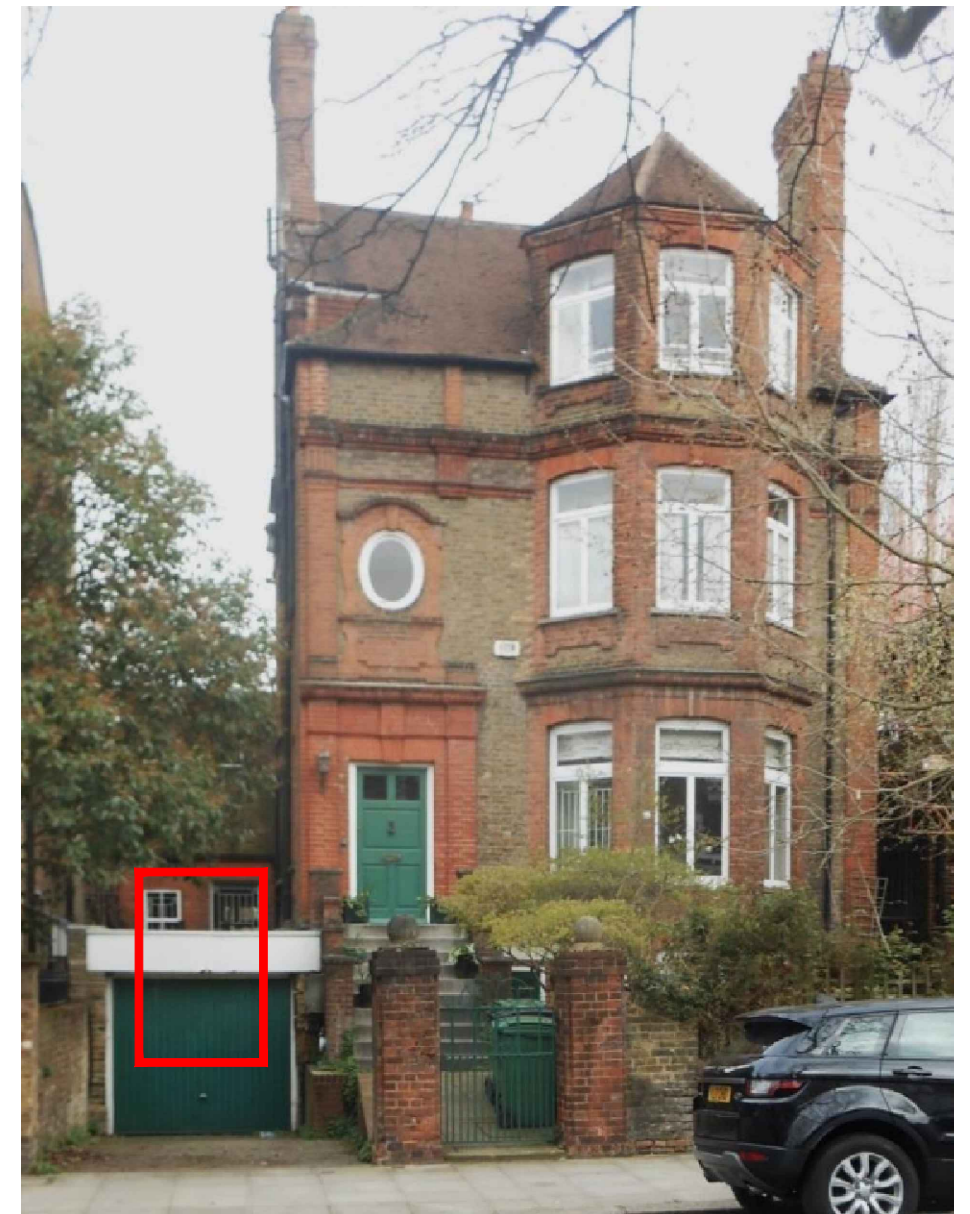
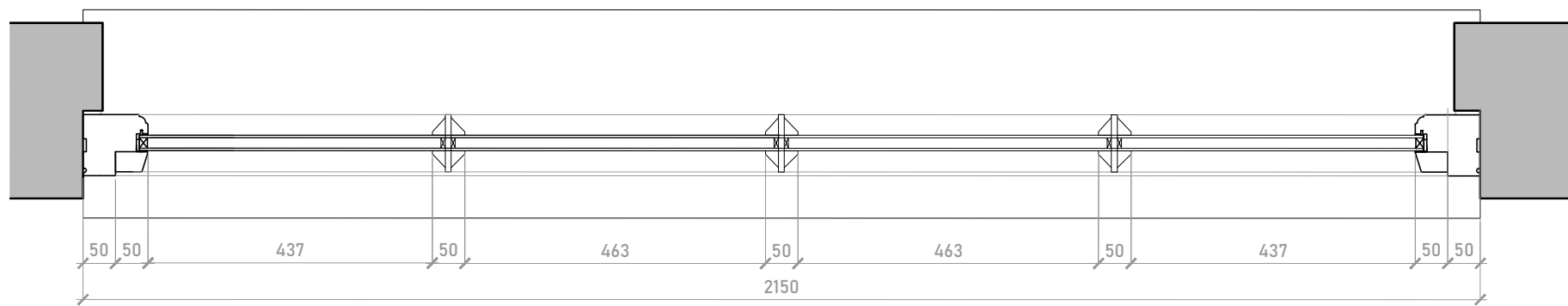



Proposed window elevation  
Scale 1:20 @ A3



Historic building as existing with the new window location indicated in red

Issued For <b>COMMENT</b>	Rev. Description Date Signed Checked	DIMENSIONS TO BE CHECKED ON SITE	A3 Scale 1:10, 1:20 @ A3	Date 28.10.24	Drawn by AA	Checked by ME	 113 Fore Street, Hertford Hertfordshire, SG14 1AS T - 07764 496 345 E - info@me-architects.co.uk
	General Notes: THIS DRAWING HAS BEEN PREPARED BY MICHAEL EALES ARCHITECTS AND THE DATA CONTAINED HEREIN MAY BE USED OR REPRODUCED ONLY WITH MICHAEL EALES ARCHITECTS' APPROVAL.						
			Project <b>32 Steele's Road London NW3 4RE</b>	Project no. <b>23 / 219</b>	Drawing no. <b>W-01</b>	Revision <b>1</b>	