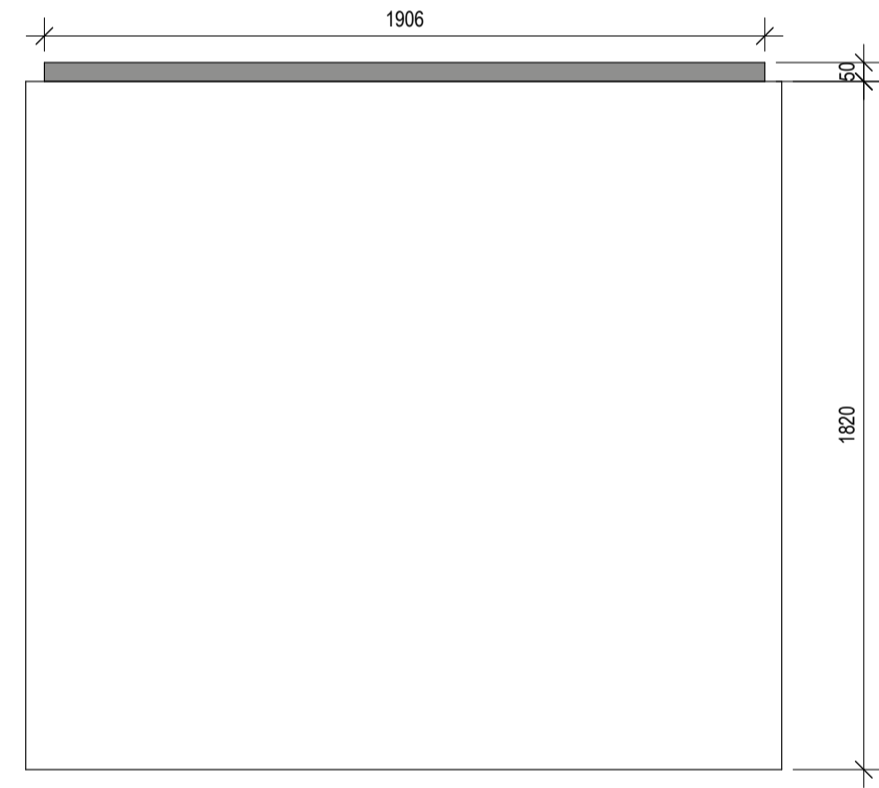
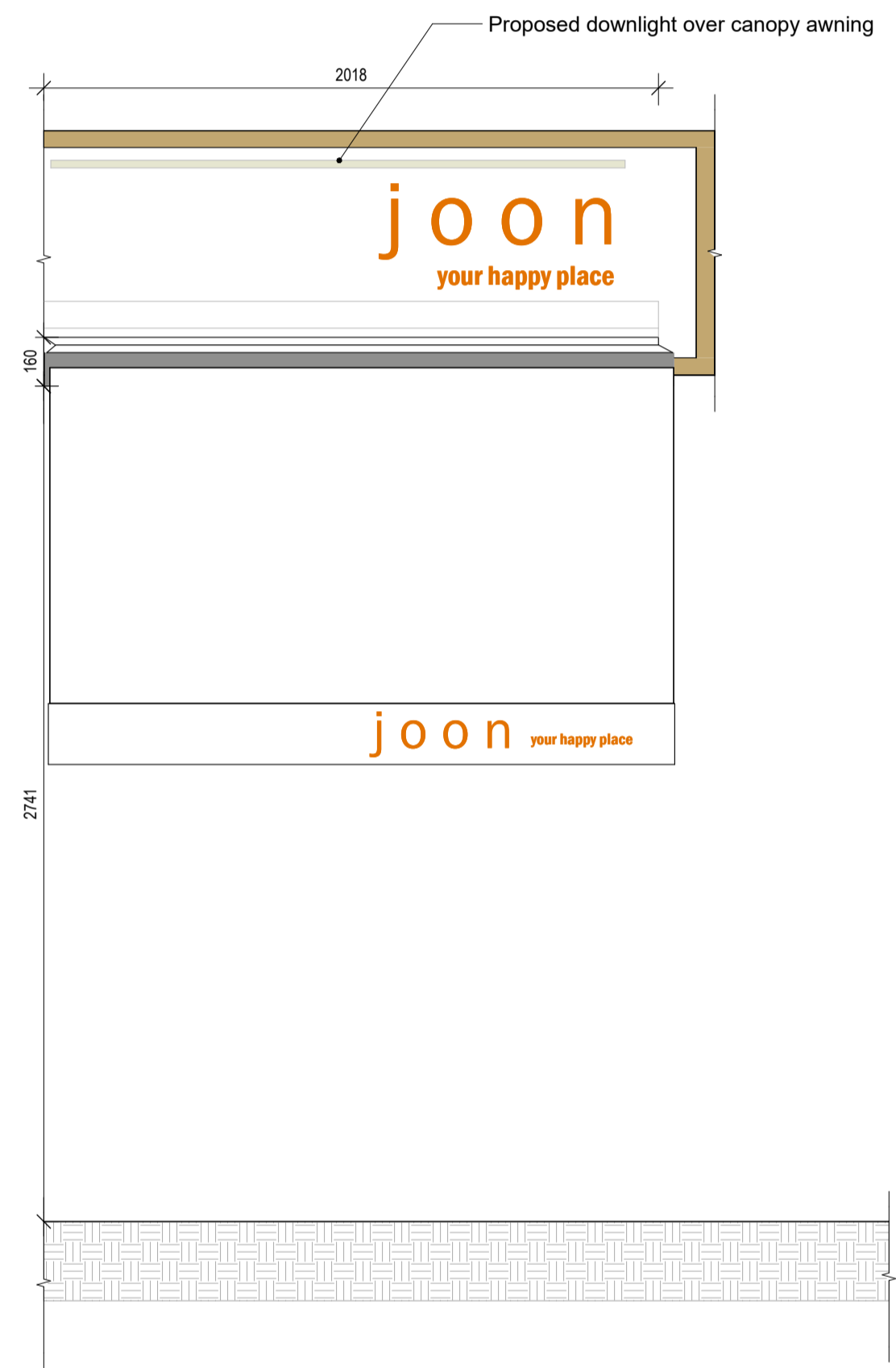


REV#	DATE	REVISION
1	01/10/2024	LPA Submission Copy
2	08/10/2024	LPA Submission
3	17/10/2024	LPA Submission
4	28/10/2024	Downlight amendment

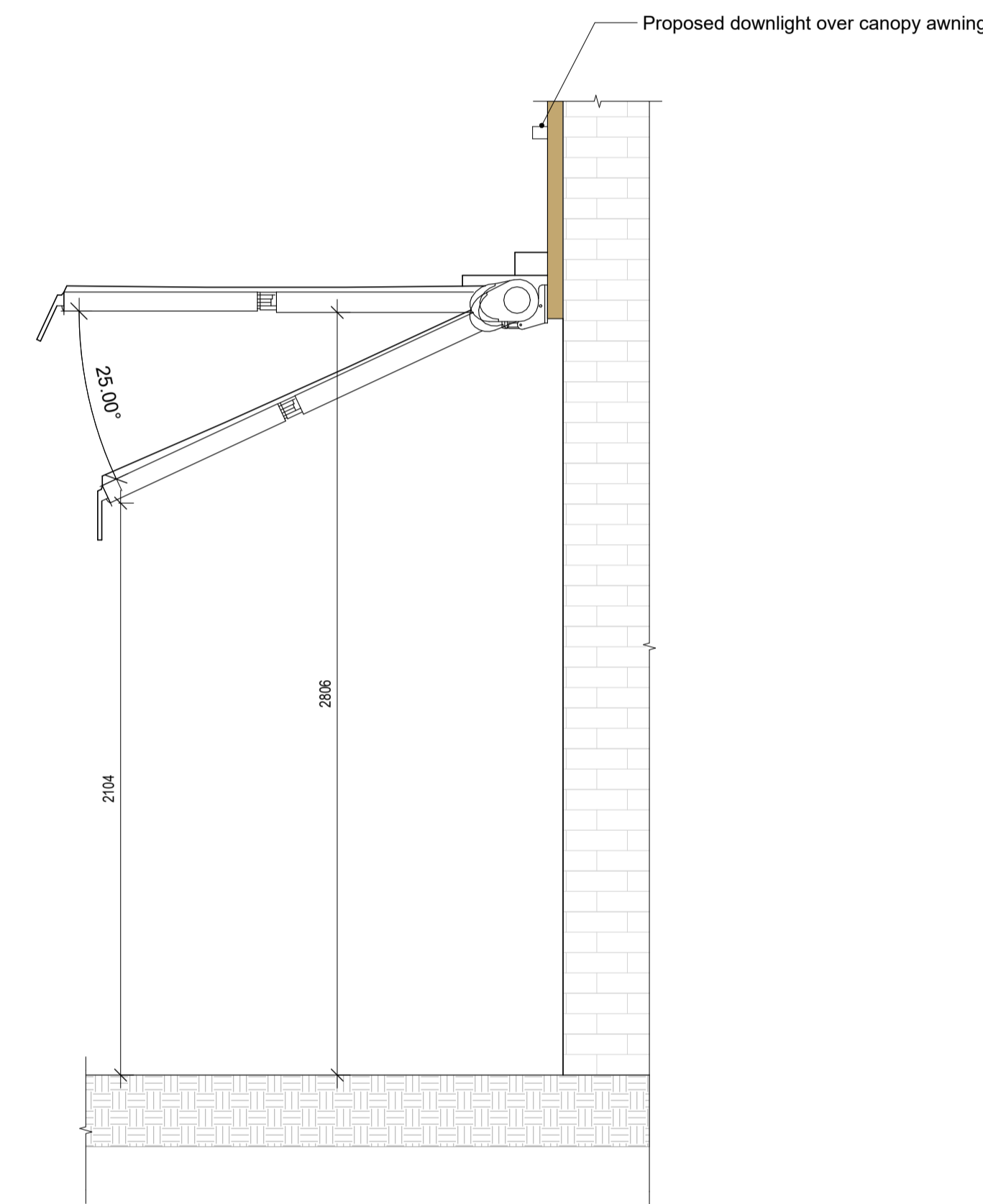
56 Warren Street, Fitzrovia,
 London, W1T 5NP, United Kingdom
Proposed Awning - Plan, Front Elevation and Section



1 Proposed Awning Plan
 1 : 20



2 Proposed Awning Front Elevation
 1 : 20



3 Proposed Awning Section
 1 : 20

RIBA Chartered Practice **COHANIM** ARCHITECTURE
 3rd Fl. 207 Regent Street.
 London, W1B 3HH
 info@cohanimarchitecture.com

Information contained within this drawing is the sole copyright of Cohanim Limited and is not to be reproduced without express permission. No implied licence exists. This drawing is not to be used for land transfer or valuation purposes. All dimensions to be checked on site by the Contractor. Issued for purposes indicated only. Drawing errors and omissions to be reported to Project Architect or Architectural Lead

CURRENT PROJECT STATUS
**LISTED BUILDING
 CONSENT**

CLIENT: Cafe Chibo	
DRAWN BY: VP	
CHECKED BY: JH	DRAWING NUMBER: 420-01-A004-4
DATE: 28/10/2024	SCALE: 1 : 20
FILE: 420-CA-01-M3-XXXX-01.rvt	SHEET SIZE: A1L

