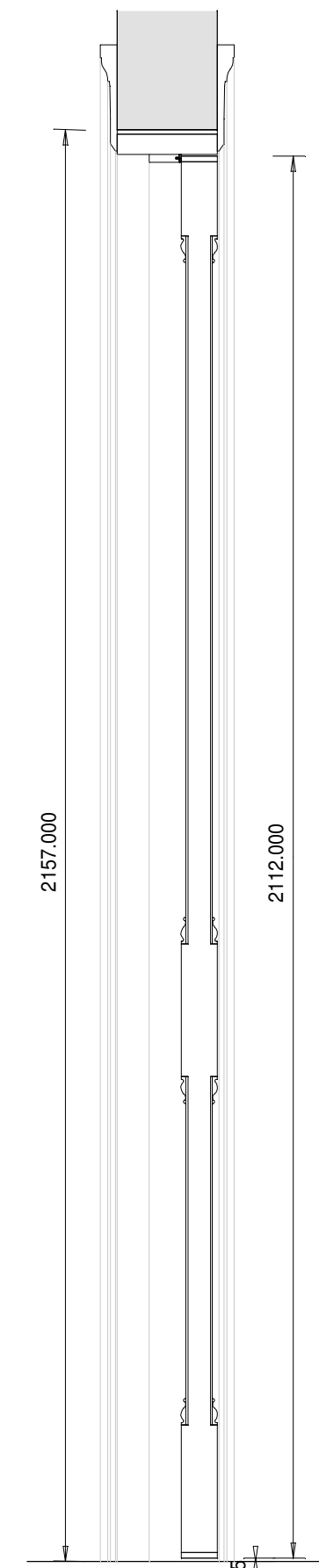
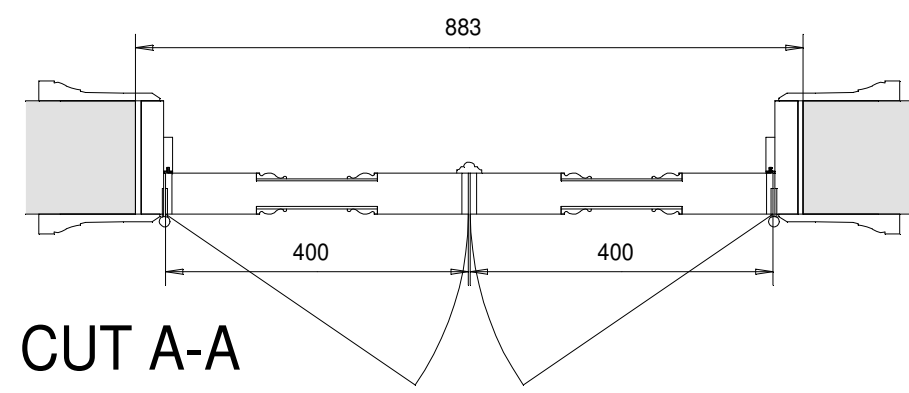


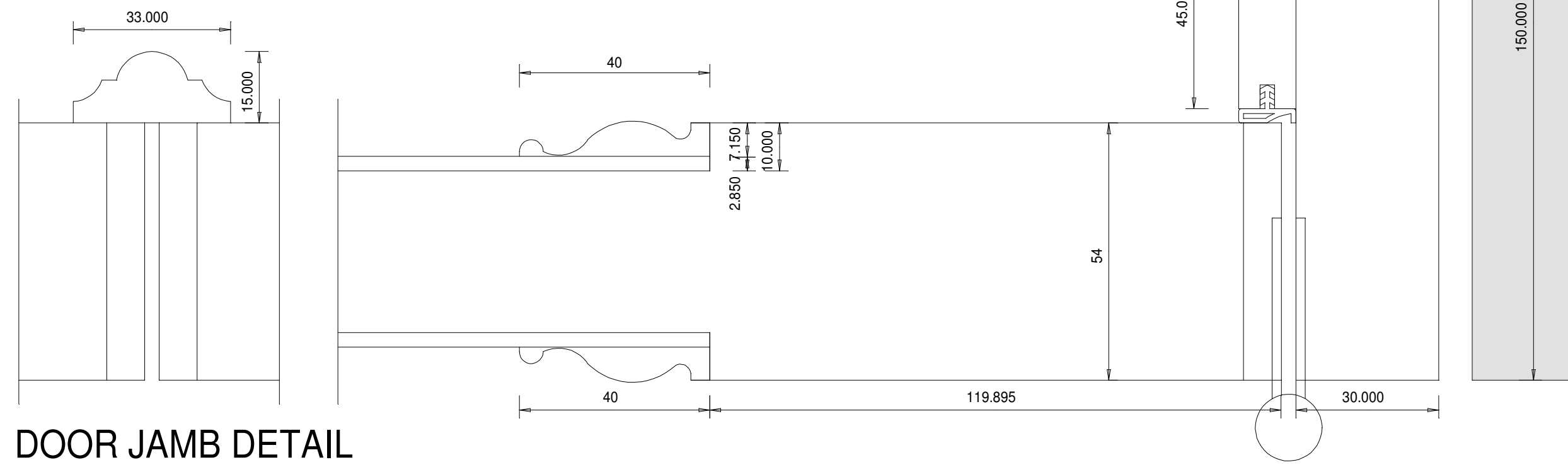
ELEVATION



CUT B-B



CUT A-A



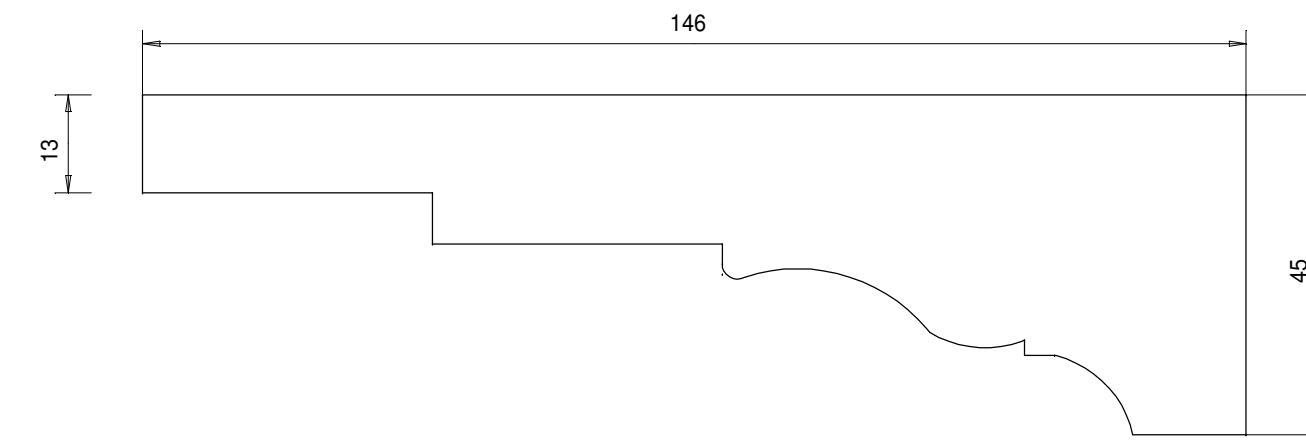
DOOR JAMB DETAIL
scale 1:1

Door reference/Location		CERTIFICATION	
IND-120-GF-06 Boiler door Ground Floor	IND-120-02-06 Boiler door Second Floor		
IND-120-01-04 Boiler door First Floor			
LEFT HANDING (COUNTERCLOCKWISE)	RIGHT HANDING (CLOCKWISE)		
		DOOR	44MM THICKNESS WHITE PRIMED
		FRAME	WHITE PRIMED HORNBEAM
		HINGES	CUTOUTS ONLY - REFER TO DOOR SCHEDULE
		LOCK	CUTOUTS ONLY - REFER TO DOOR SCHEDULE

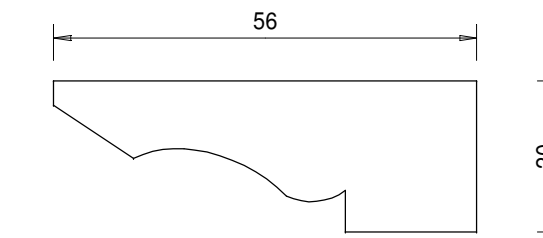
DESIGNATION:
Door NFR



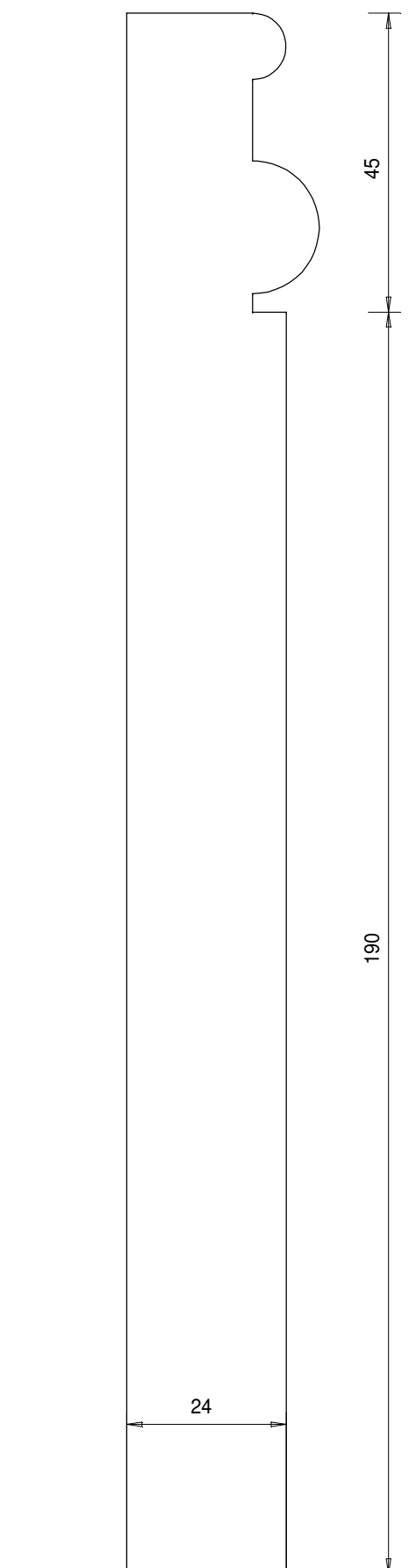
ARCHITRAVE PROFILE IND-100-01-01 1st Floor Flat Entrance
(first floor)
scale 1:1



ARCHITRAVE PROFILE IND-110-01-02 1st Floor L/K/D
(all internal first floor architraves to match)
scale 1:1



ARCHITRAVE PROFILE IND-100-02-01 2nd Floor Flat Entrance
(second and third floor flat entrance)
scale 1:1



SKIRTING PROFILE
(second floor)
scale 1:1



NOTE:
Profiles to be checked on site

notes			
1 this drawing is copyright of design team consultants limited			
2 do not scale from drawing - use figured dimensions only			
rev	date	description	by
P5	15.10.24	Additional door	agh
P4	14.10.24	Minor changes	agh
P3	07.10.24	Minor changes	agh
P2	02.10.24	Minor changes	agh
P1	30.09.24	Issued for approval.	agh

dtc design team consultants
chartered surveyors ■ architectural designers

business & technology centre stevenage herfordshire sg1 2dx
tel: 01438 771200 01462 670550 www.dtc.uk.net

client	Gunning London		
project	33 Tavistock Square London, WC1H 9EZ		
drawing title	DOOR DETAILS SHEET 3 of 4		
drawn/checked	scale	date	
a/w	1:1 @ A1	Sept:24	
job no	drg no	rev	
L24.380	DET-512	P5	