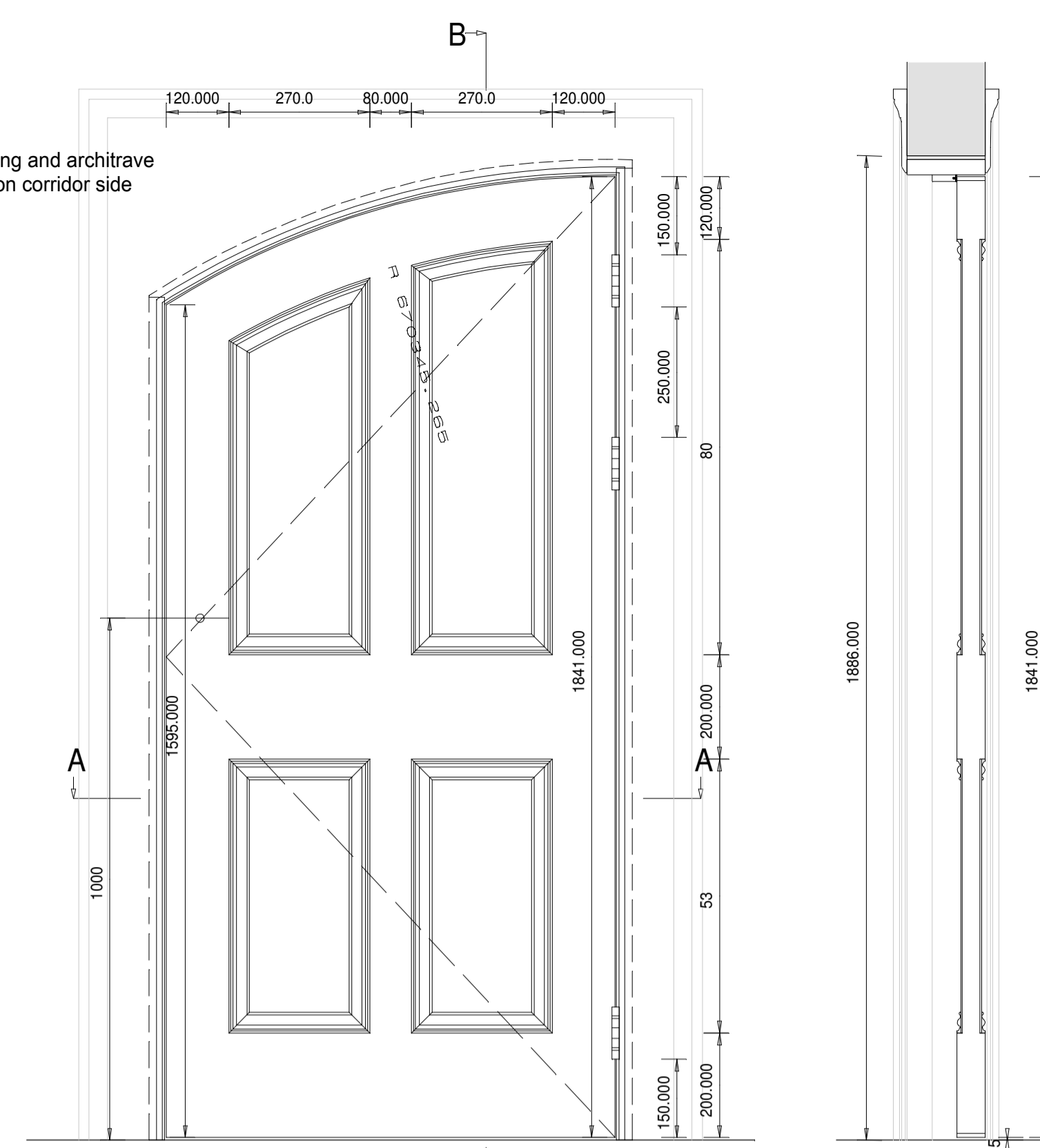


ELEVATION

CUT B-B

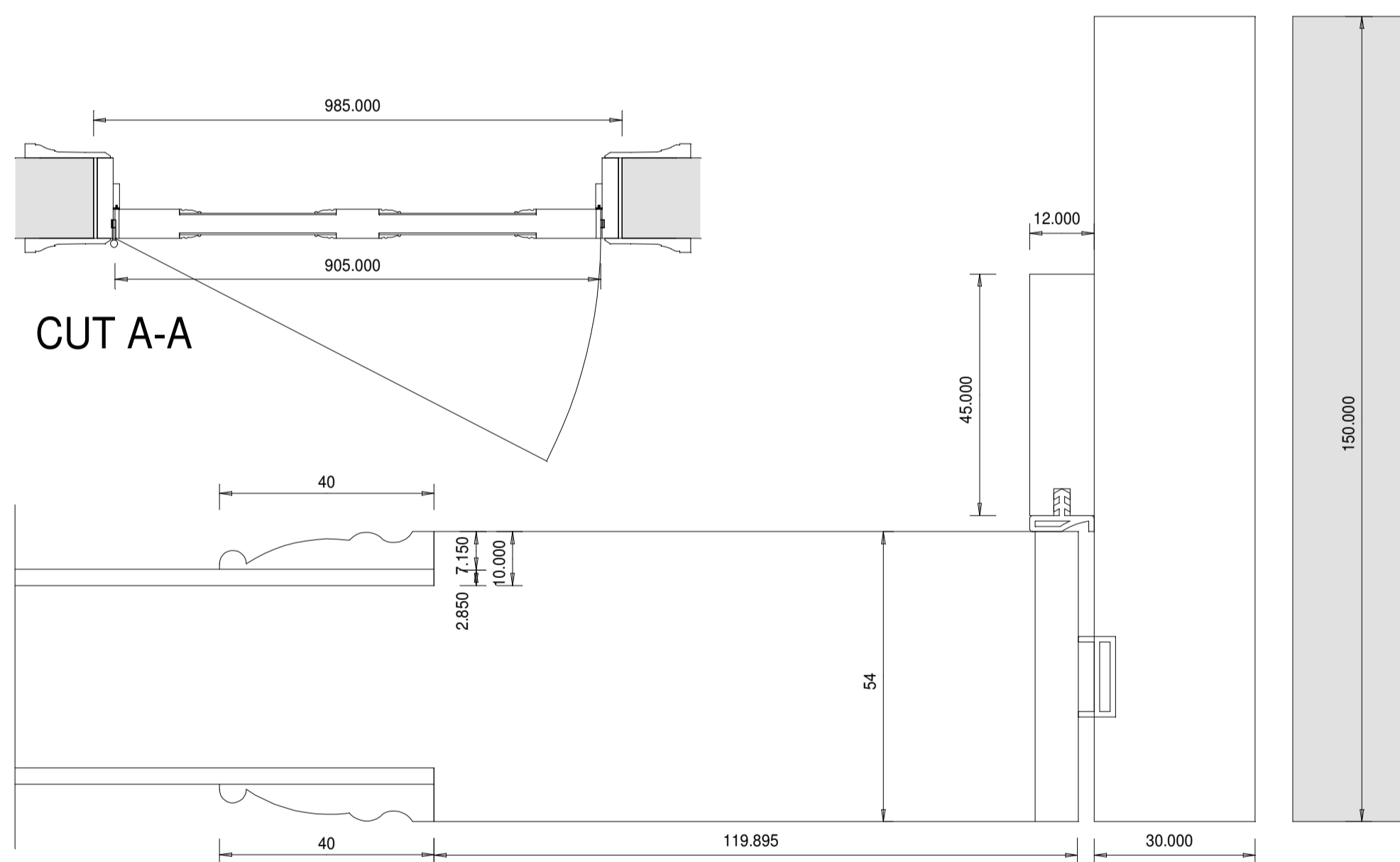
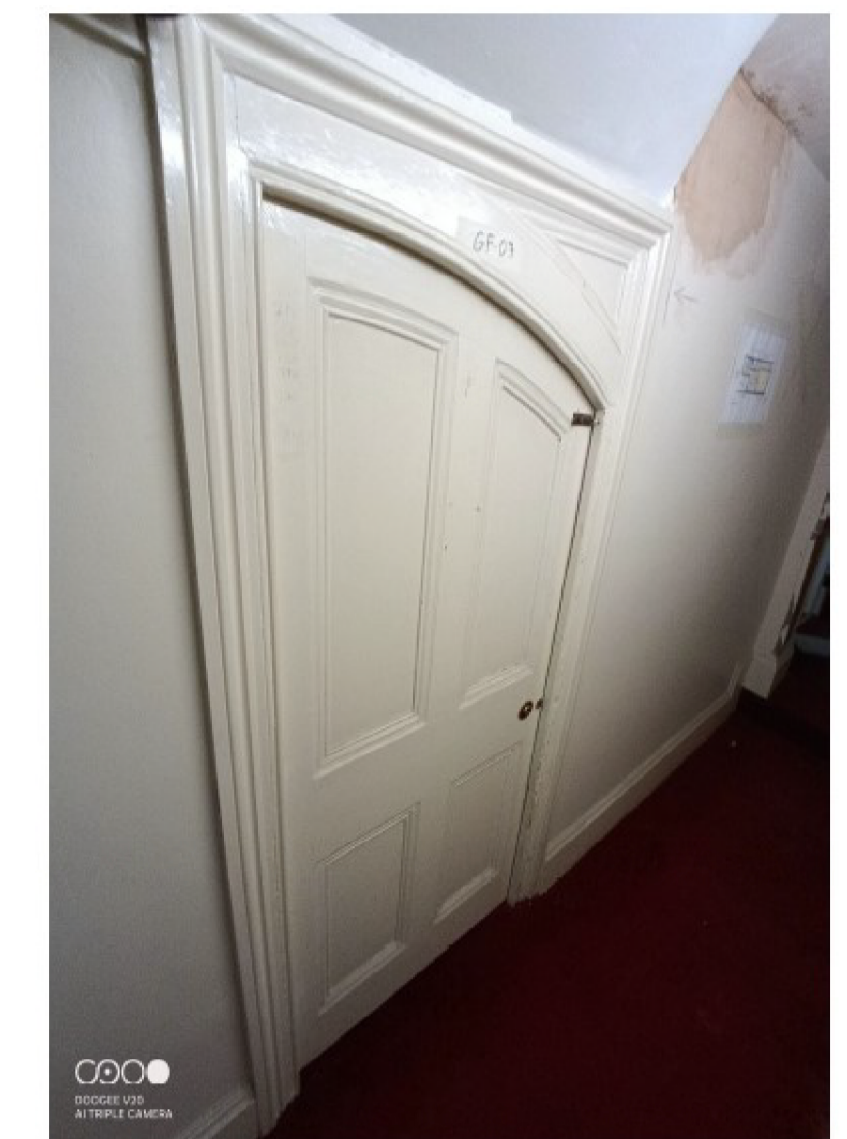


Existing panelling and architrave to be retained on corridor side



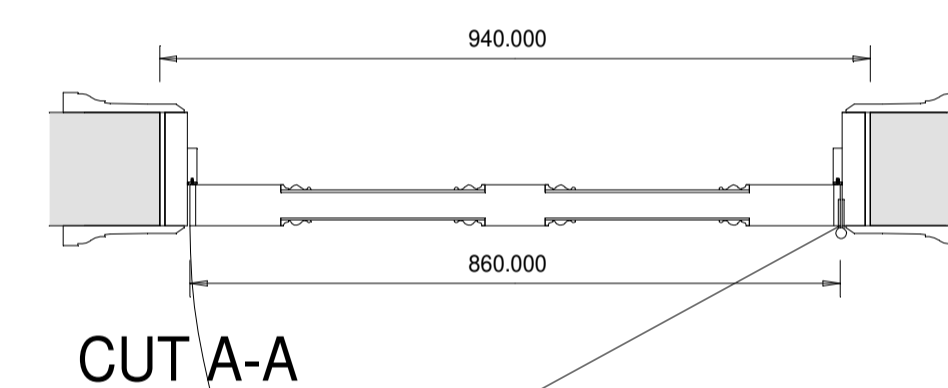
ELEVATION

CUT B-B



CUT A-A

DOOR JAMB DETAIL
scale 1:1



CUT A-A

DOOR JAMB DETAIL
scale 1:1

NOTE:
All door sizes to be checked on site

NOTE:
All door sizes to be checked on site

Door reference/Location		IND-100-02-01 Entrance door Second Floor		IND-100-03-07 Roof Access	
IND-100-GF-01 Entrance door GF Floor		IND-100-01-01 Entrance door First Floor		IND-100-03-01 Entrance door Third Floor	
LEFT HANDING (COUNTERCLOCKWISE)	RIGHT HANDING (CLOCKWISE)	CERTIFICATION	FD30 CLASSIFICATION ACCORDING BS 476 PART 22		
		DOOR	PORTFIRE FD30s 84MM THICKNESS WHITE PRIMED		
		FRAME	WHITE PRIMED HORNBEAM		
		HINGES	CUTOUTS ONLY - REFER TO DOOR SCHEDULE		
		LOCK	CUTOUTS ONLY - REFER TO DOOR SCHEDULE		

DESIGNATION:
Portfire FD30s
Door type - Bespoke Recessed 1

Door reference/Location		IND-110-GF-07 Store under staircase Ground Floor	
LEFT HANDING (COUNTERCLOCKWISE)	RIGHT HANDING (CLOCKWISE)	CERTIFICATION	
		DOOR	44MM THICKNESS WHITE PRIMED
		FRAME	WHITE PRIMED HORNBEAM
		HINGES	CUTOUTS ONLY - REFER TO DOOR SCHEDULE
		LOCK	CUTOUTS ONLY - REFER TO DOOR SCHEDULE

notes			
1 this drawing is copyright of design team consultants limited			
2 do not scale from drawing - use figured dimensions only			
rev	date	description	by
P5	15.10.24	Additional door	agh
P4	14.10.24	Minor changes	agh
P3	07.10.24	Minor changes	agh
P2	02.10.24	Minor changes	agh
P1	30.09.24	Issued for approval.	agh

dtc design team consultants		
chartered surveyors ■ architectural designers		
business & technology centre steverage herfordshire sg1 2dx tel: 01438 771200 01462 670550 www.dtc.uk.net		
client	Gunning London	
project	33 Tavistock Square London, WC1H 9EZ	
drawing title	DOOR DETAILS SHEET 1 of 4	
drawn/checked	scale	date
a/w	1:5 @ A1	Sept.'24
job no	drw no	rev
L24.380	DET-510	P5