

Vertical Slider

SASH WINDOWS



Victorian Sliders introduce the **NEW** **A** rated **ECO** Slide Sash Window

The visual appearance of a traditional style timber sash with all the features and benefits that modern technology and UPVC provides. Narrow sight lines compliment elegant contoured profiles with meticulous thought & consideration given to appearance, performance and durability.

- Fully featured sculptured profiles
- A host of security features built-in
- Georgian bar and sash horn options
- Easy-clean feature as standard
- Sizes up to 1600mm x 3000mm (2 windows)

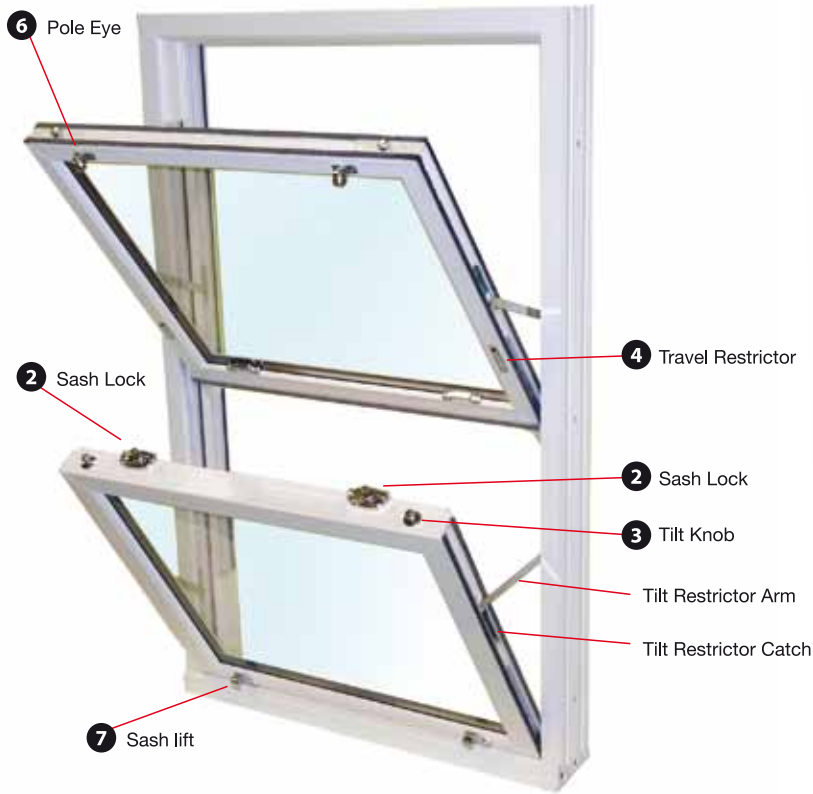
minimum: width 370mm height 740mm
Maximum: width 1300mm height 3000mm
152 cill minimum
Trickle vent 570mm minimum

Energy Window	
Victorian Sliders PVC-U Vertical Slider Eco Slide Sash Window A+6	
	A
Energy Index (kWh/m ² /year) <small>(Energy Index certified by BFRG and based on UK standard window. The actual energy consumption for a specific application will depend on the building, the local climate and the indoor temperature)</small>	6
The climate zone is:	UK
Thermal Transmittance (U _{window})	1.3 W/m ² .K
Solar Factor (g _{window})	0.44
Effective Air Leakage (L _{factor})	0.00 W/m ² .K
	Reg. No.:1958 M365 www.bfrc.org
<small>This label is not a statutory requirement. It is a voluntary label provided as a customer service to allow consumers to make informed decisions on the energy performance of competing products.</small>	

ECO
FRIENDLY
lead-free

Eco Friendly Lead Free PVC
Calcium Zinc

Window inside view



Window outside view



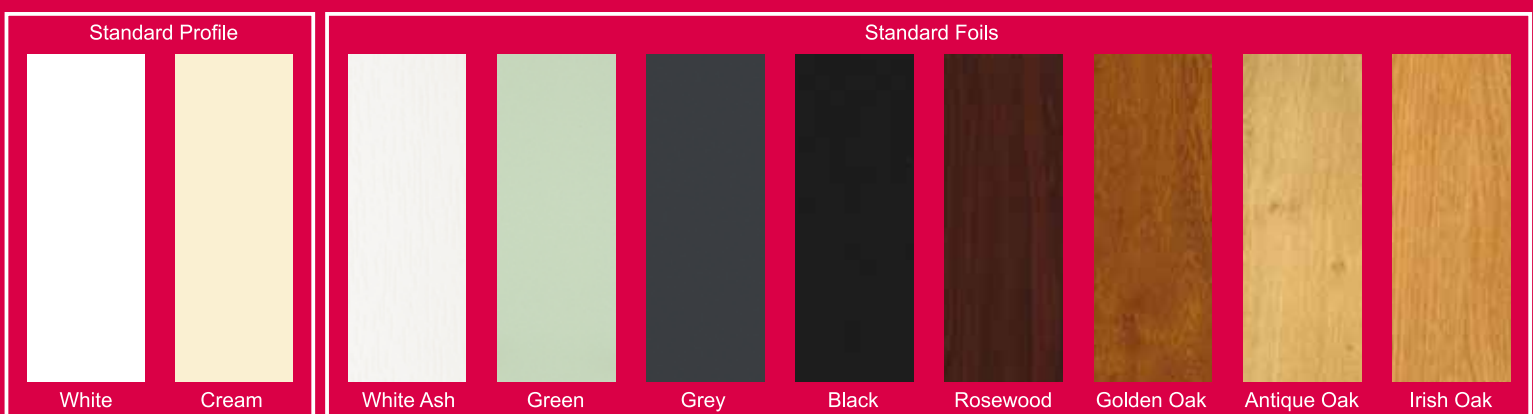
Styles & Options

The vertical sliding sash window is available in a variety of style options and colours, offering a wide choice to our customers. The extensive range of Georgian bar options should satisfy even the most discerning of customers. Sash horns are another popular choice replicating perfectly the traditional timber sashes. The vertical slider can easily be inserted into either splayed bays or 90 degree bays. Transom drop options are visible from a natural equal split to 60/40, 70/30 split or depending on customer requirements.

Arch tops present no problems to our specialist in house team and state of the art bending equipment can cater for any style that can be fabricated. A selection of hardware finishes and a variety of colour finishes.



Colour Options (Other Colours available on request)



Please note: colours are for viewing purposes only and may vary from finished foils

Performance

Right from the initial conception of this Vertical Slider, very careful consideration has been given to all aspects of design, performance, appearance and above all it's ability to perform to the highest standards when subjected to rigorous testing to comply with ever changing more stringent legislation in a demanding competitive market. The profile is extruded at a state of the art extrusion plant in the UK to a very high specification.

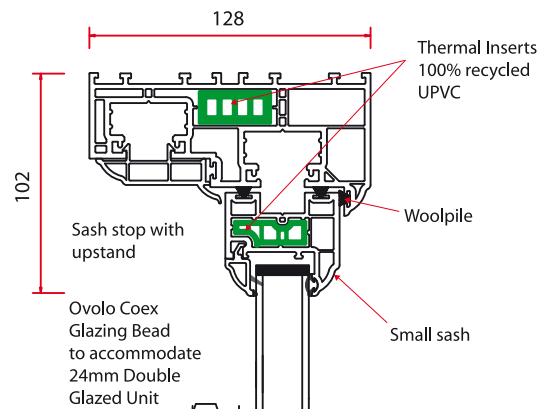
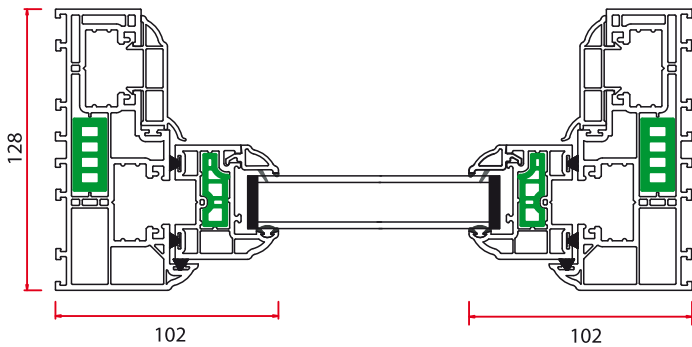
The narrow sight lines and sculptured sashes create a visually stunning appearance reminiscent of the traditional timber sashes but with the benefits and advantages that modern technology and performance that UPVC profiles provide. The profiles are extruded from 100% virgin lead free compound, with the exception of the reinforcement which is extruded from 100% recycled material which obviously significantly improves the thermal performance of the system.

The window has passed BS.6375 Weather Test to ensure it will perform to the varying demands and climatic changes of the British weather. The slider is energy efficient and is available with '**B**' Rating as standard and by simply changing the glazing unit specification can easily achieve an '**A**' Rating.

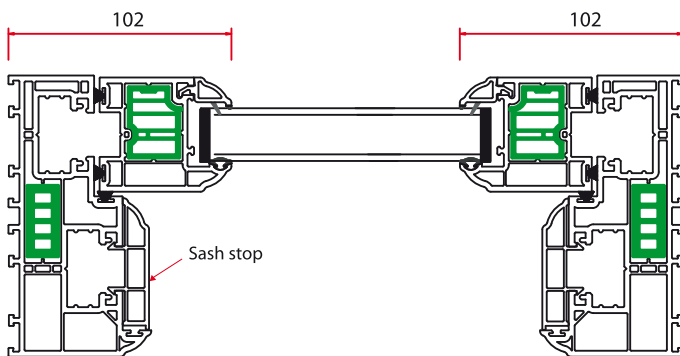
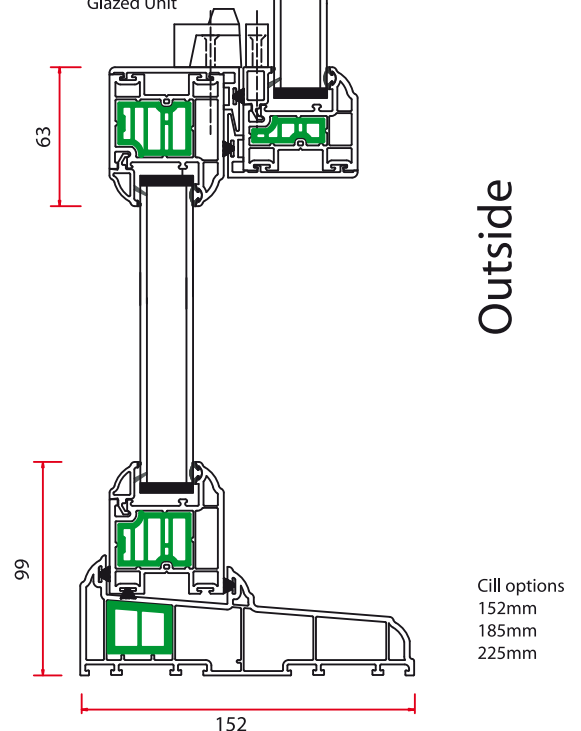


Horizontal section through top sash

Vertical section through sash



Horizontal section through bottom sash



Outside

Outside

Cill options
152mm
185mm
225mm