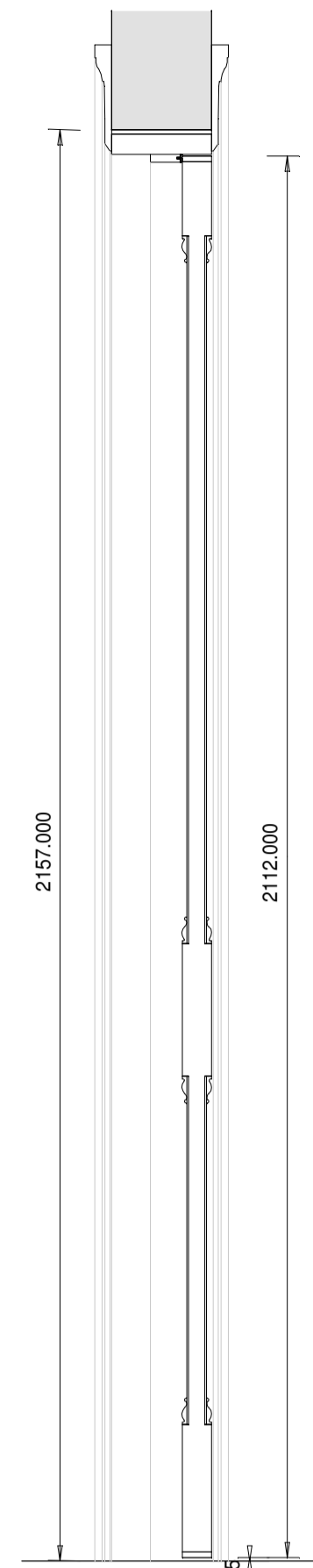
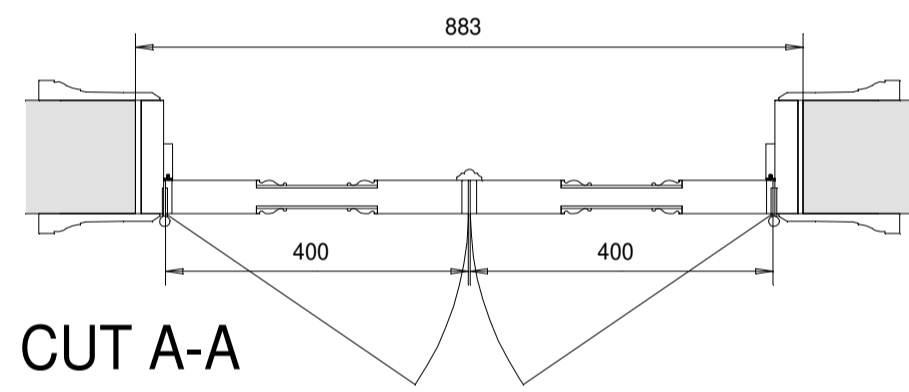


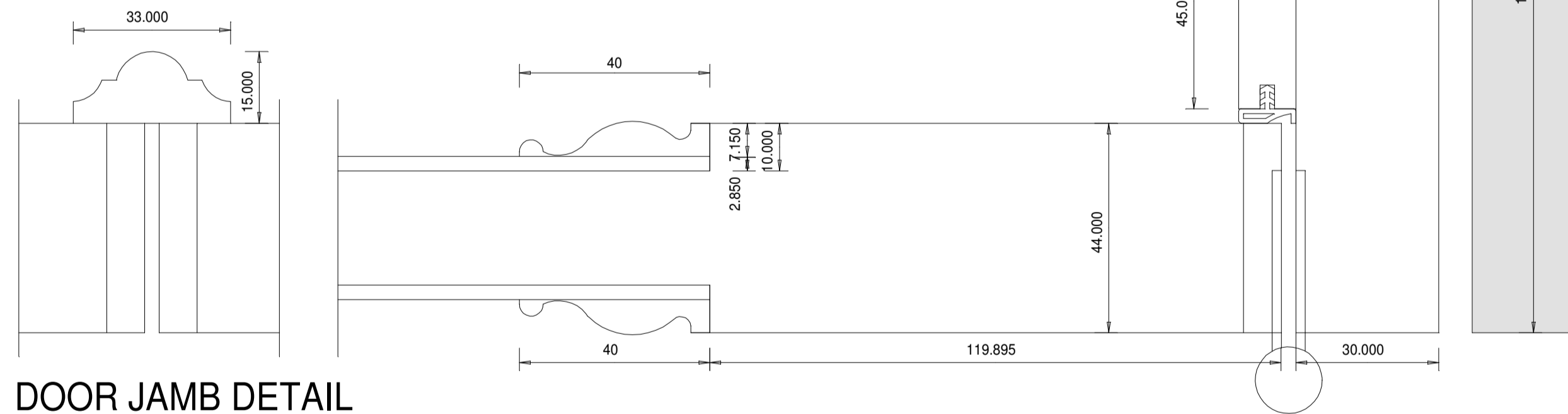
ELEVATION



CUT B-B



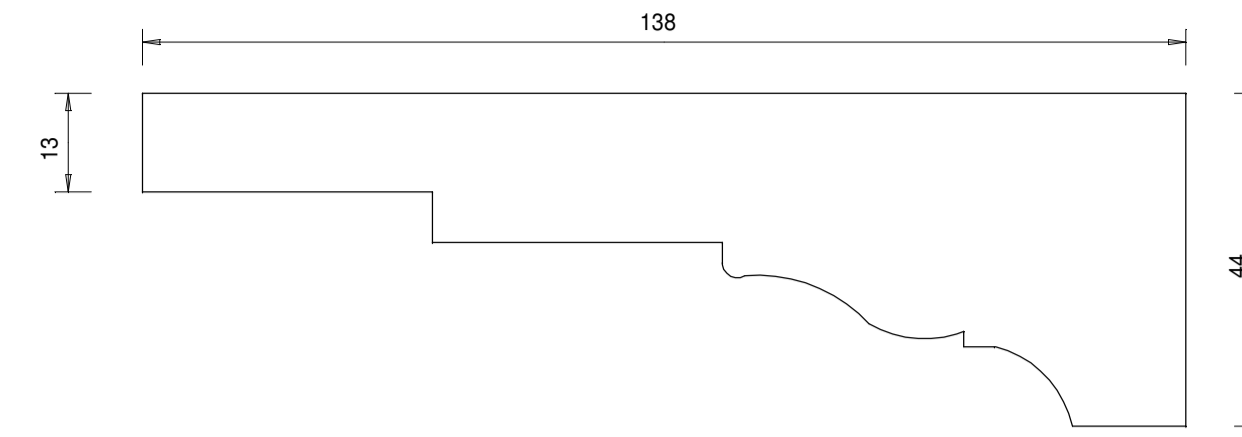
CUT A-A



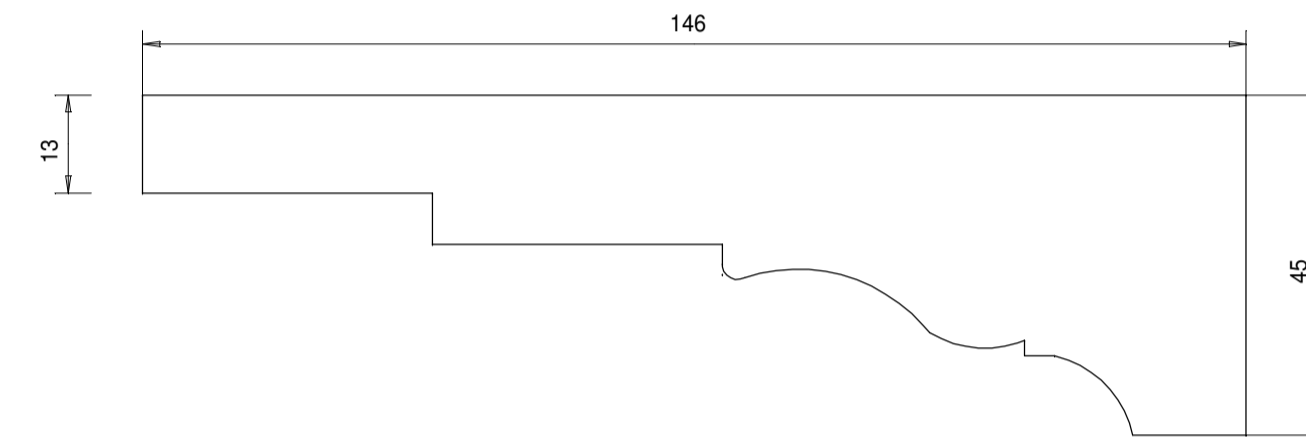
DOOR JAMB DETAIL
scale 1:1

Door reference/Location		CERTIFICATION	
LEFT HANDING (COUNTERCLOCKWISE)	RIGHT HANDING (CLOCKWISE)		
		DOOR	44MM THICKNESS WHITE PRIMED
		FRAME	WHITE PRIMED HORNBEAM
		HINGES	CUTOUTS ONLY - REFER TO DOOR SCHEDULE
		LOCK	CUTOUTS ONLY - REFER TO DOOR SCHEDULE

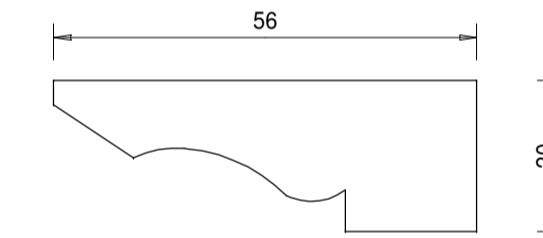
DESIGNATION:
Door NFR



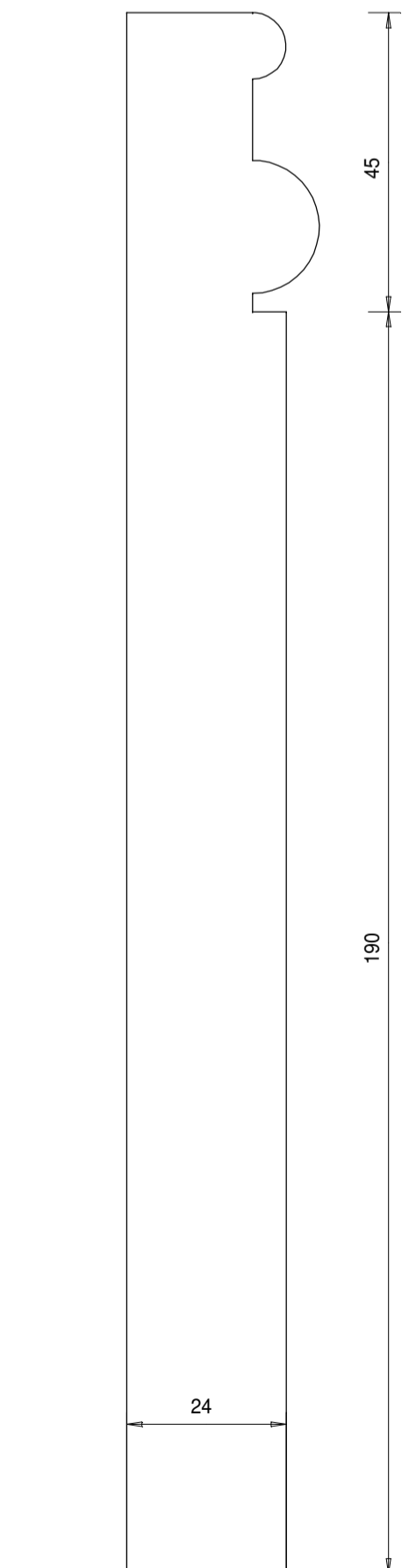
ARCHITRAVE PROFILE IND-100-01-01 1st Floor Flat Entrance
(first floor)
scale 1:1



ARCHITRAVE PROFILE IND-110-01-02 1st Floor L/K/D
(all internal first floor architraves to match)
scale 1:1



ARCHITRAVE PROFILE IND-100-02-01 2nd Floor Flat Entrance
(second and third floor flat entrance)
scale 1:1



SKIRTING PROFILE
(second floor)
scale 1:1



NOTE:
Profiles to be checked on site

notes			
1 this drawing is copyright of design team consultants limited			
2 do not scale from drawing - use figured dimensions only			
rev	date	description	by
P3	07.10.24	Minor changes	agh
P2	02.10.24	Minor changes	agh
P1	30.09.24	Issued for approval.	agh

dtc design team consultants
chartered surveyors ■ architectural designers

business & technology centre stevenage herfordshire sg1 2dx
tel: 01438 771200 01462 670550 www.dtc.uk.net

client	Gunning London		
project	33 Tavistock Square London, WC1H 9EZ		
drawing title	DOOR DETAILS SHEET 3 of 4		
drawn/checked	scale	date	
a/w	1:1 @ A1	Sept:24	
job no	drw no	rev	
L24.380	DET-512	P3	