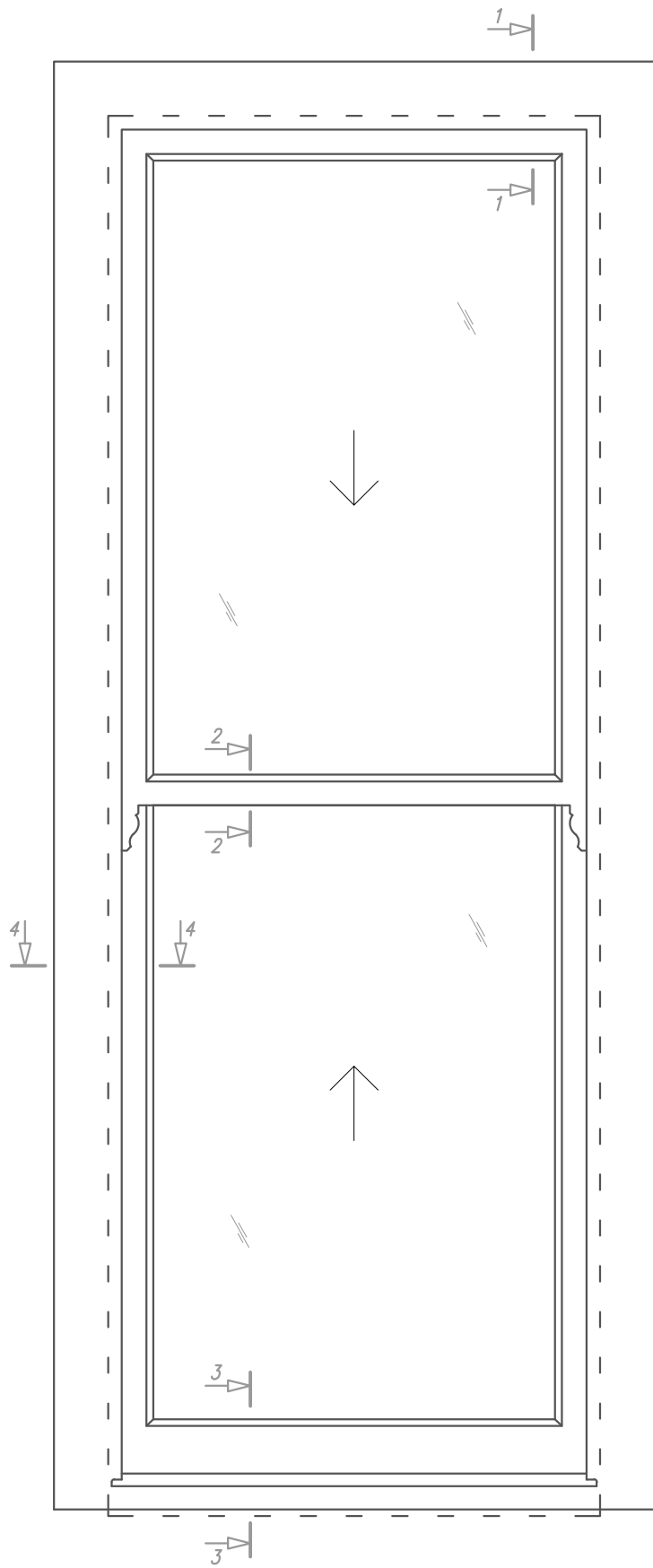
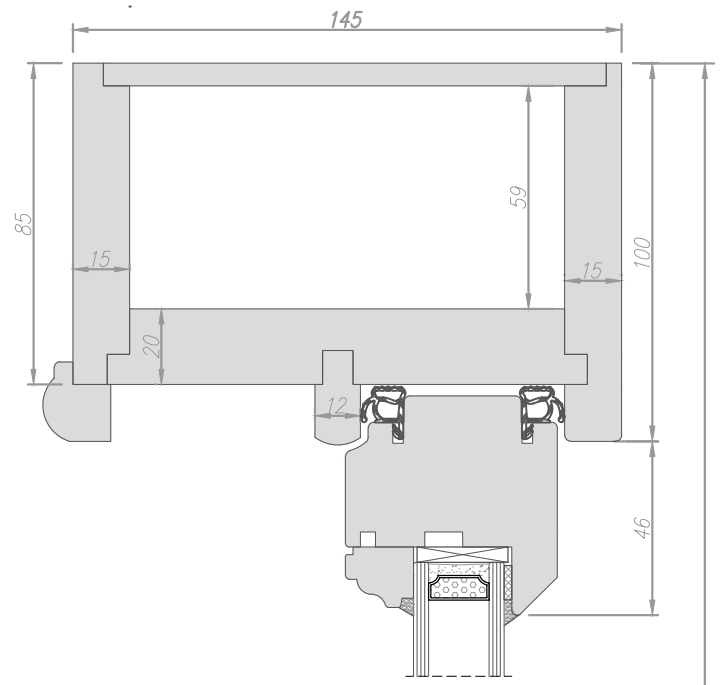


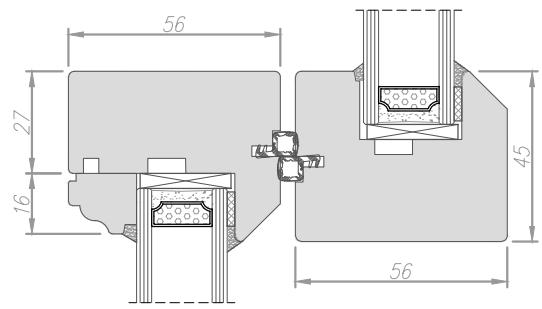
External elevation
1:10 @A3



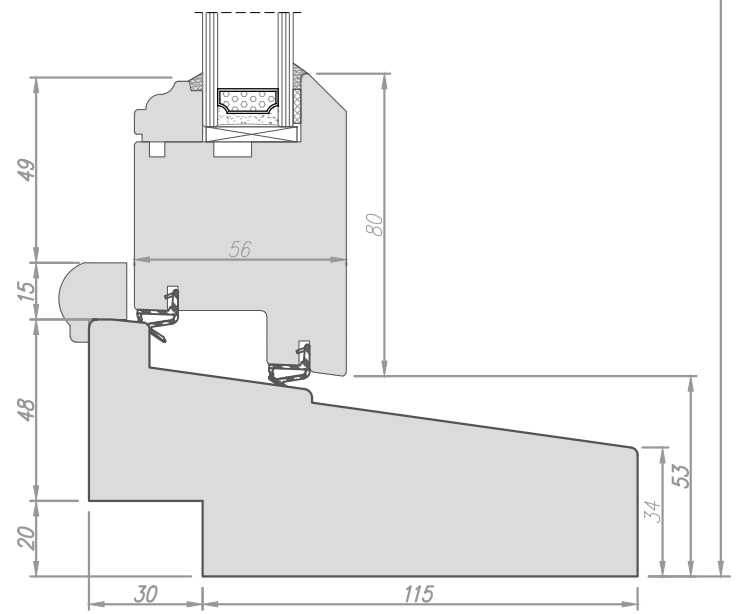
Section 1-1
1:2 @A3



Section 2-2
1:2 @A3

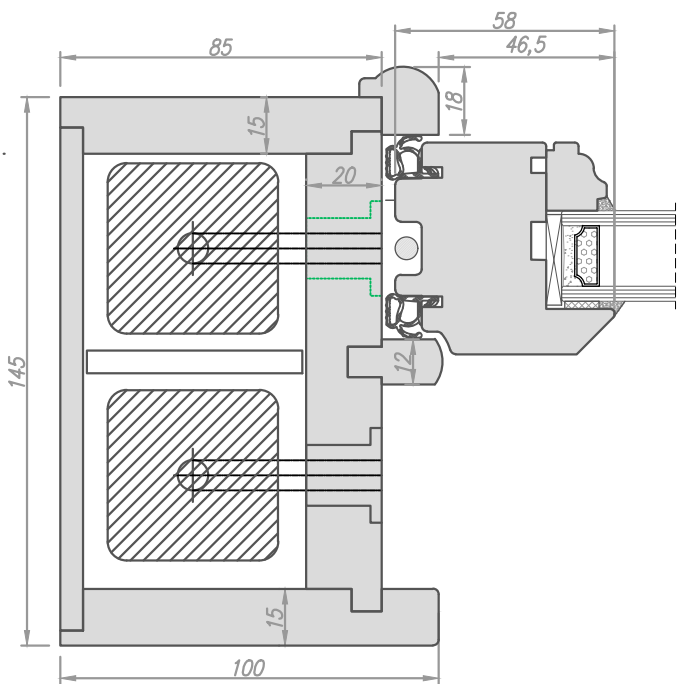


Section 3-3
1:2 @A3



Window height 2135

Section 4-4
1:2 @A3

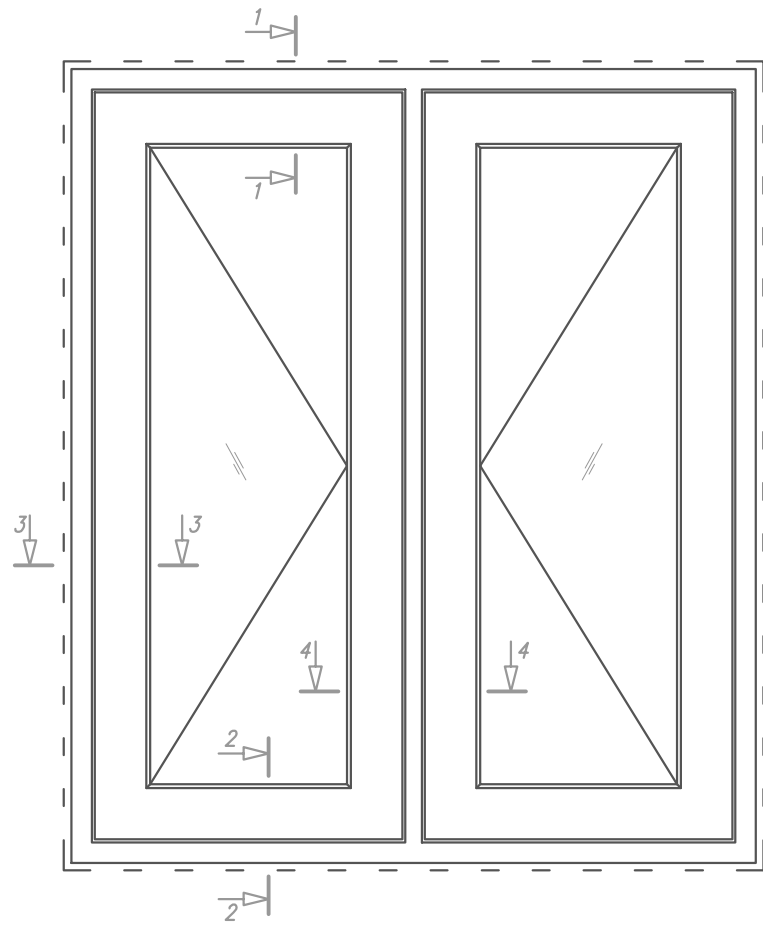


Name of quantity, unit	Test result	Test method
Thermal transmittance, $W/(m^2 \cdot K)$	1,52	LST EN ISO 12567-1:2010;
Watertightness, class	4	LST EN 1027:2004
Resistance to wind load, class	4	LST EN 12210:2016

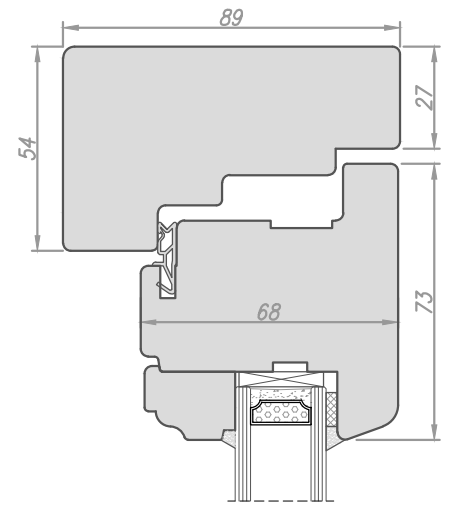
Drawn J. Lamošišūnas	ORDER NR.: TW styles
Date 2024.10.03	45/56 BOX FRAME - CORDS & WEIGHTS
Drawing Nr.	size & scale A3P
page 4	pages 5

UAB "Lanquama" Beržuonos a. 1, LT-02121 Vilnius

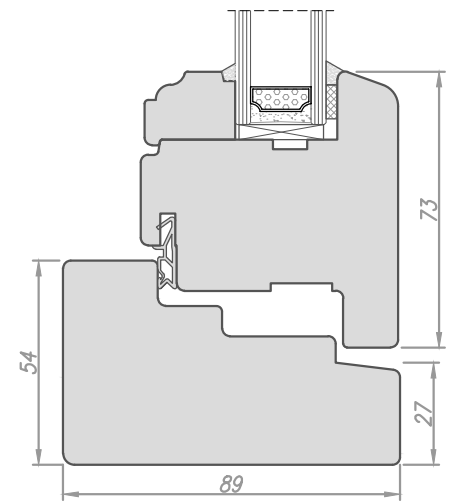
External elevation
1:10 @A3



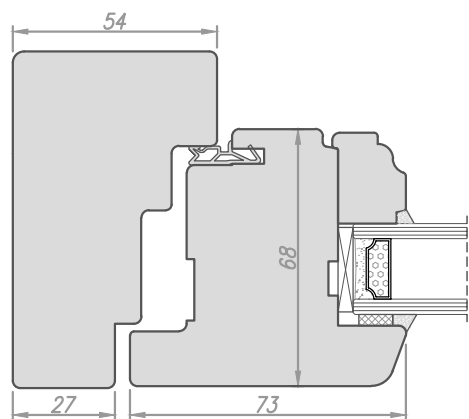
Section 1-1
1:2 @A3



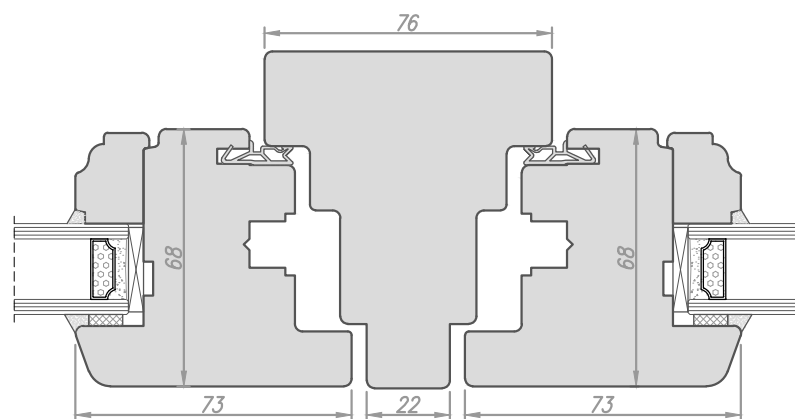
Section 2-2
1:2 @A3



Section 3-3
1:2 @A3



Section 4-4
1:2 @A3



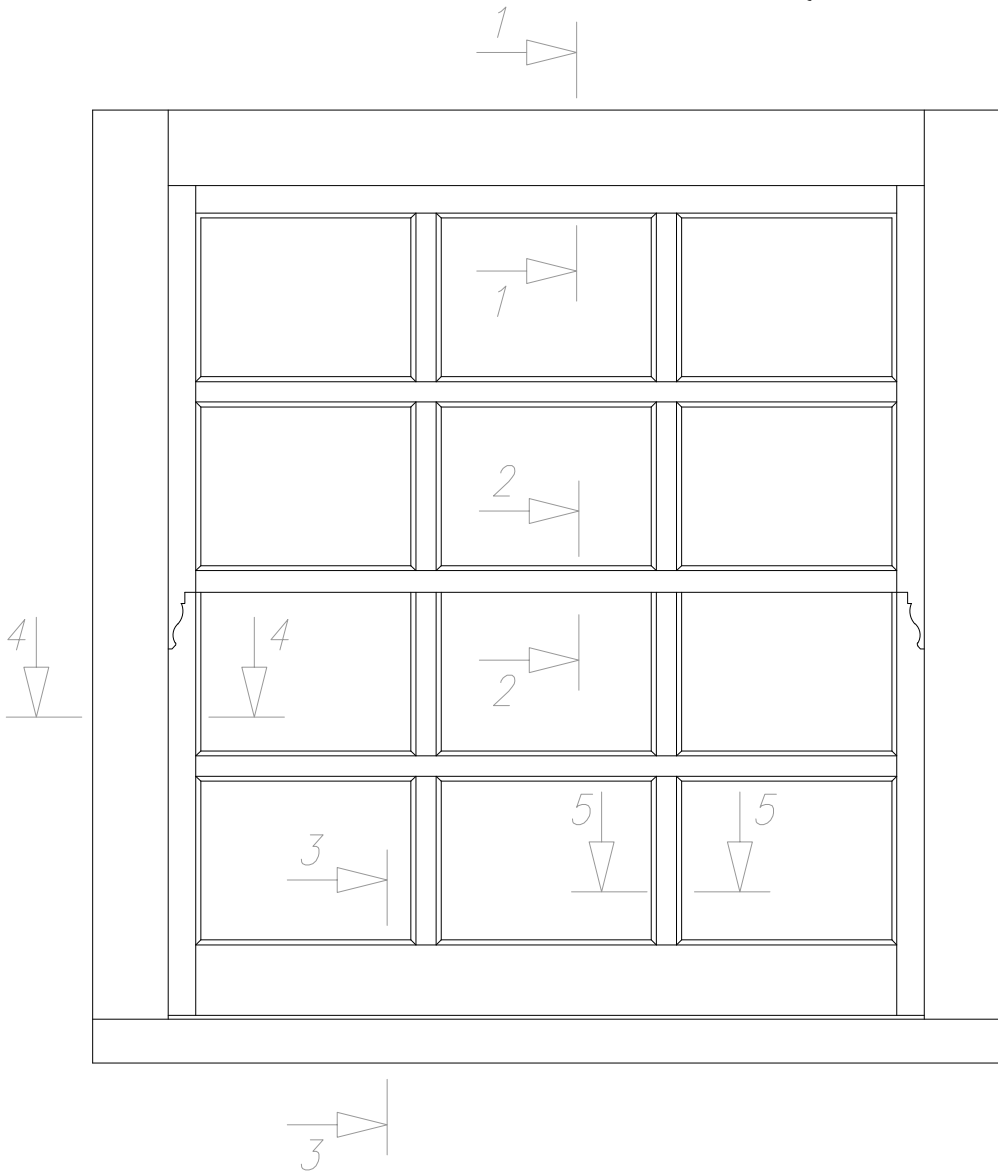
Name of quantity, unit	Test result	Test method
Thermal transmittance, $W/(m^2 \cdot K)$	1,50	LST EN ISO 12567-1:2010;
Weighted sound reduction index	34	LST EN ISO 717-1:2013
Air permeability class	4	LST EN 12207:2017

Drawn J. Lamošiusas	ORDER NR.: TW styles
Date 2024.10.03	Flush casement 89/68 W30
Drawing Nr.	size & scale A3P
page 39	pages 5

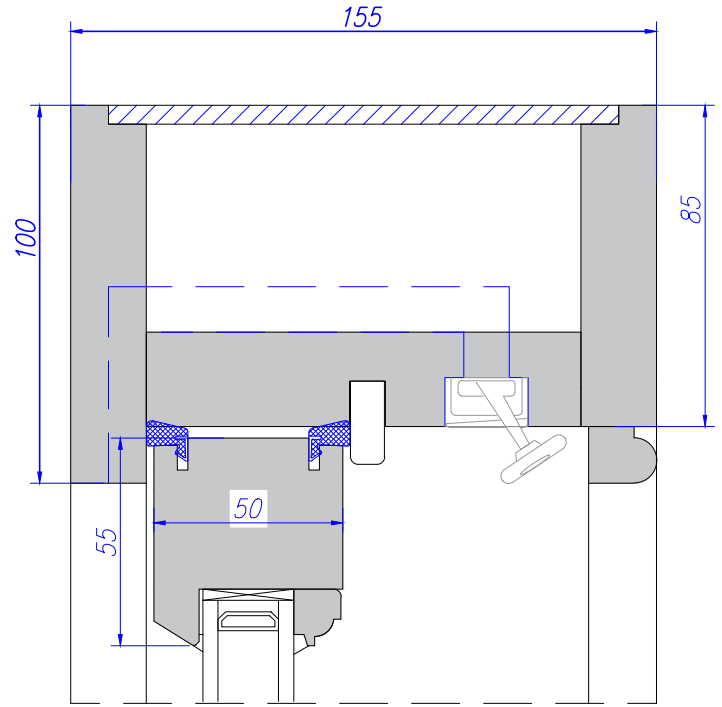
UAB "Lanzu gama" Beržuonos a. 1, LT-02121 Vilnius

Type TW113: 155 sash weights & cords

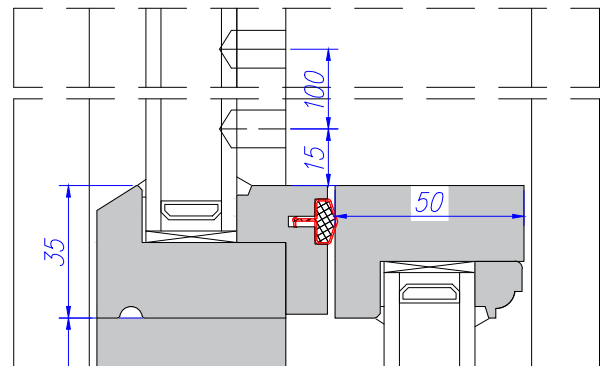
External
elevation
1:10 @A3



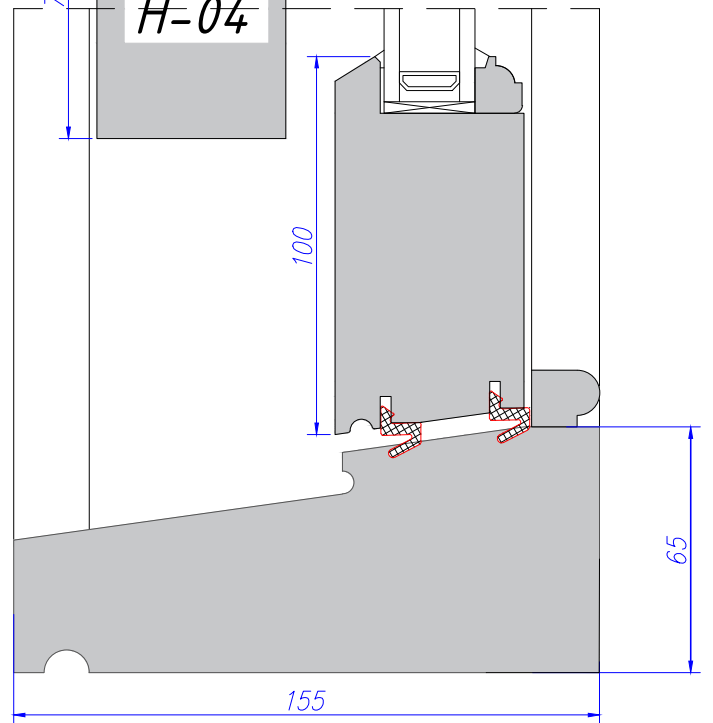
Section 1-1
1:2 @A3



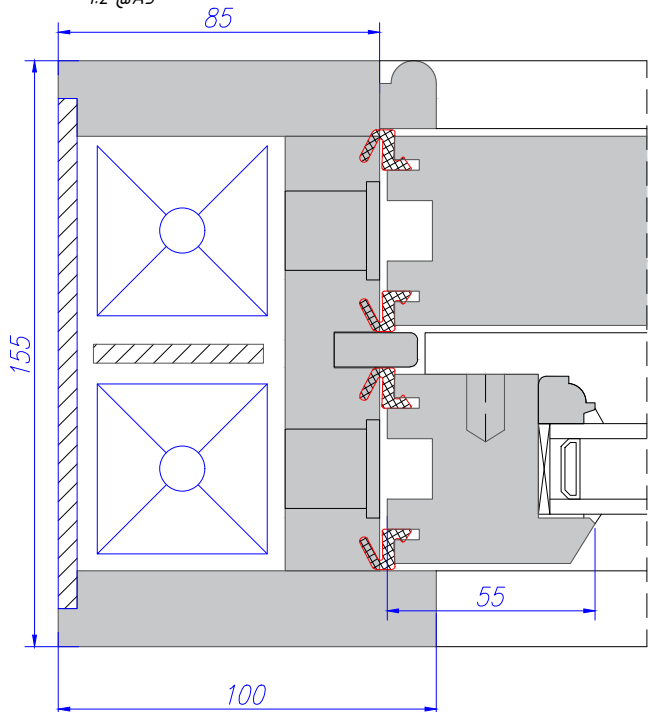
Section 2-2
1:2 @A3



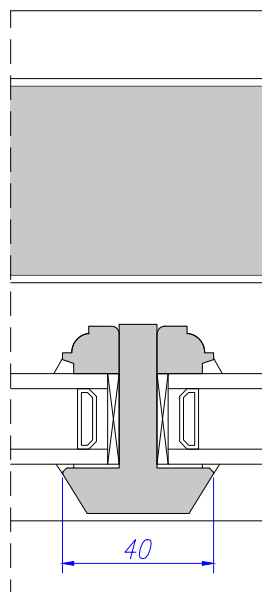
Section 3-3
1:2 @A3




Section 4-4
1:2 @A3



Section 5-5
1:2 @A3



Drawn V. Stonys	ORDER NR.: TW113		
Date 2024-05-27	TW113: 155 sash cords & weights		
	Size & scale A3	Page	Pages
	AB "Stalių Gaminiai" Naujoji g. 130, Alytus, Lithuania		