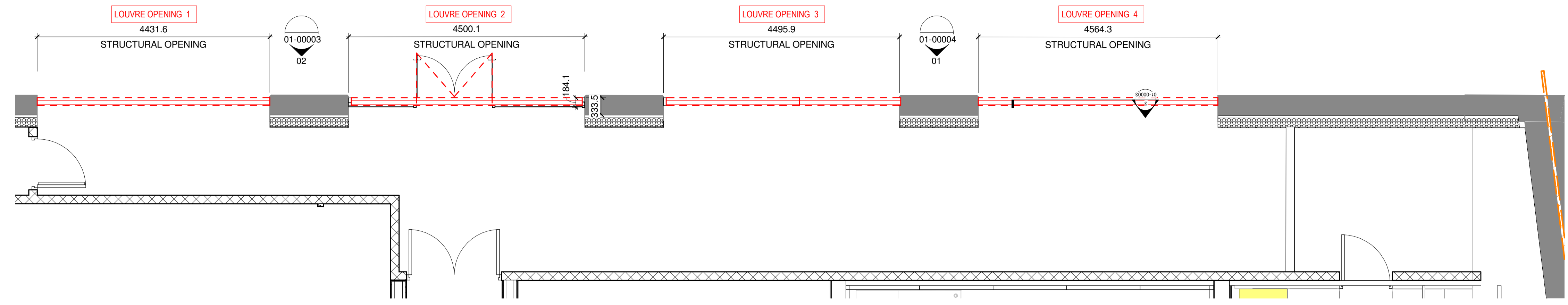
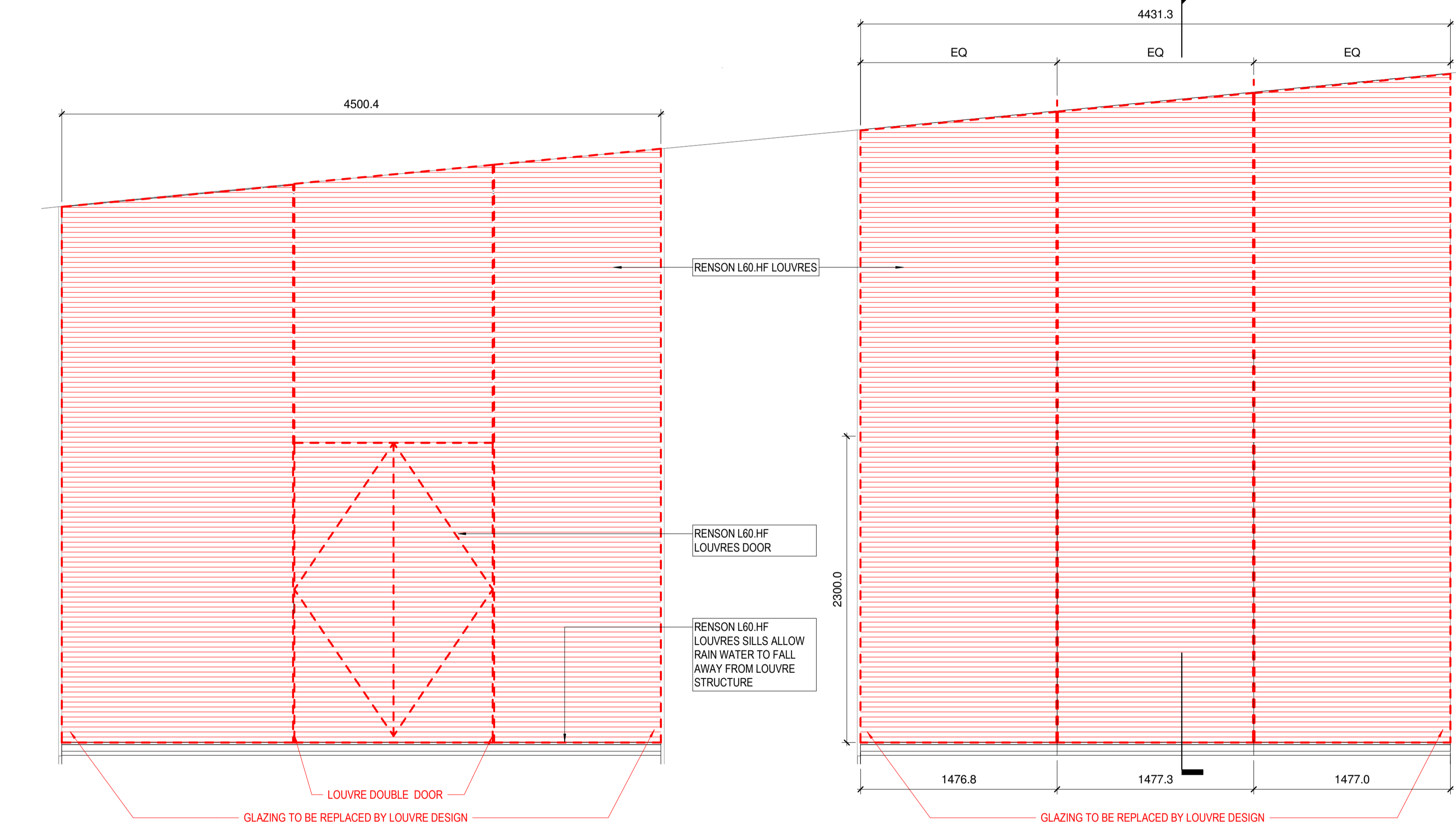


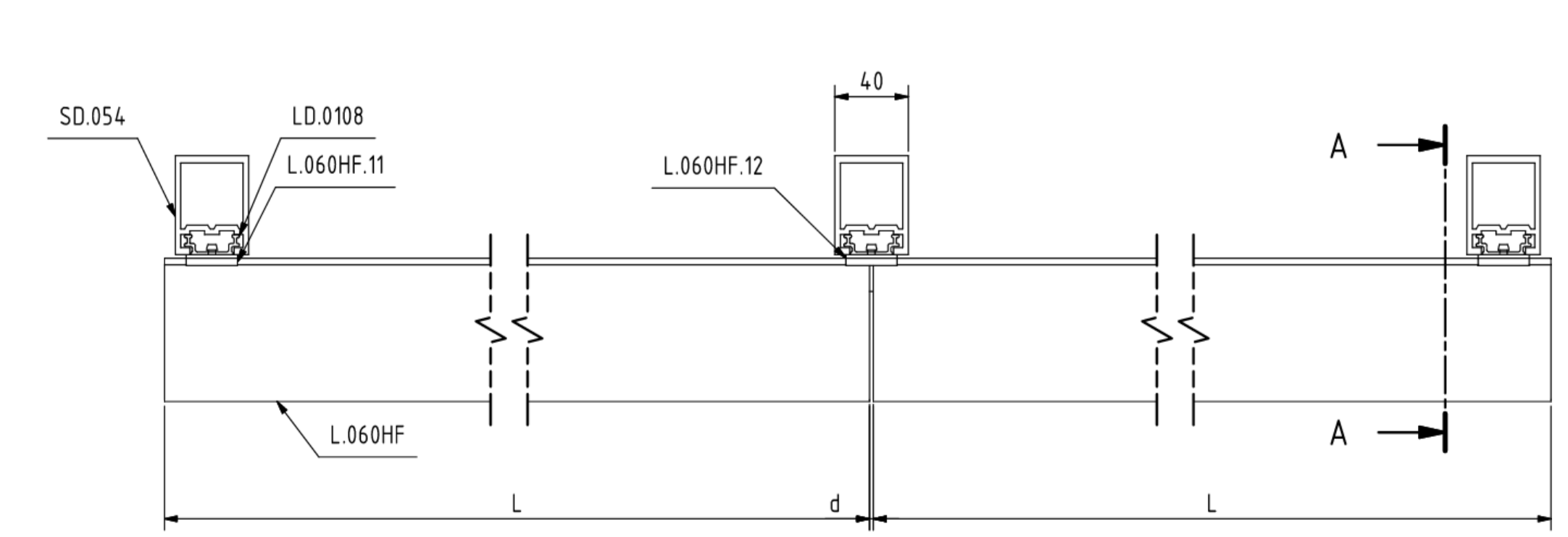
1000mm  
400  
200  
0mm  
Scale: As Drawn



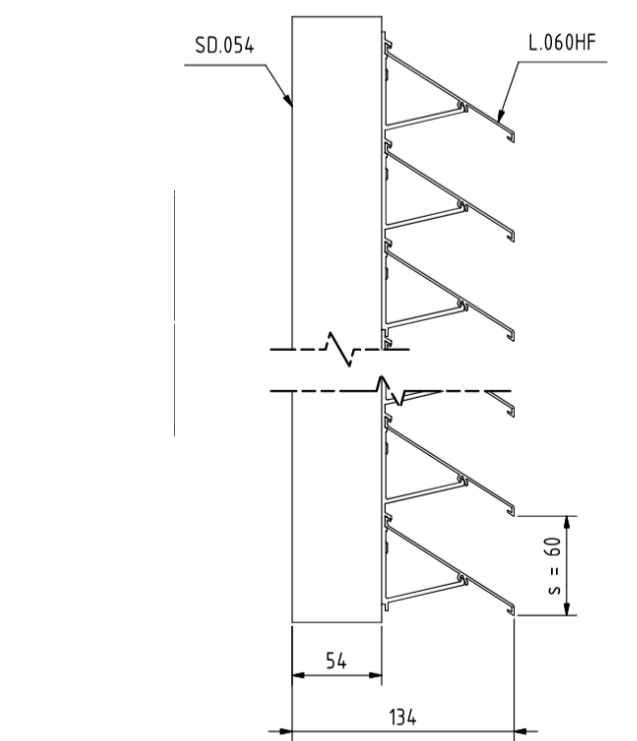
01 L00 - EVENTS - CONDENSORS LOUVRES - ENLARGED PLAN  
1:50



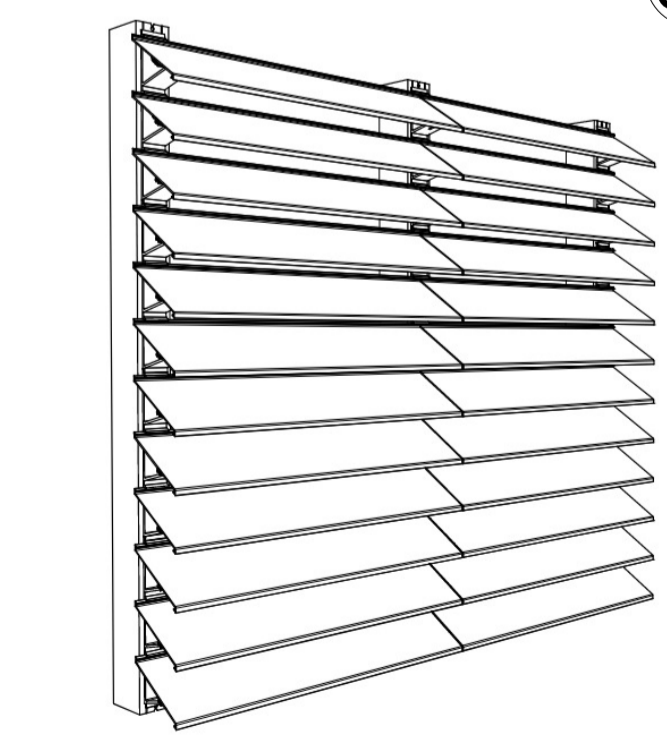
02 L00 - EVENTS - CONDENSORS LOUVRES OPENINGS 1 & 2 - ENLARGED EXTERNAL ELEVATION  
1:25



03 LOUVRE PLAN  
1:2



04 LOUVRE SECTION A-A  
1:2



05 LOUVRE ISOMETRIC



06 RENSON L60.HF LOUVRE WITH LOUVRE DOOR



07 RAL 7016 POWDER COATED FINISH

NOTES

Drawing indicates design intent only.

All information, areas, dimensions and datum levels are subject to detailed survey, detailed design and investigative work.

Scaling for planning application purposes only.

This drawing is the property of Perkins+Will UK Ltd. No disclosure or copy of it may be made without the written permission of Perkins+Will UK Ltd.

PROJECT

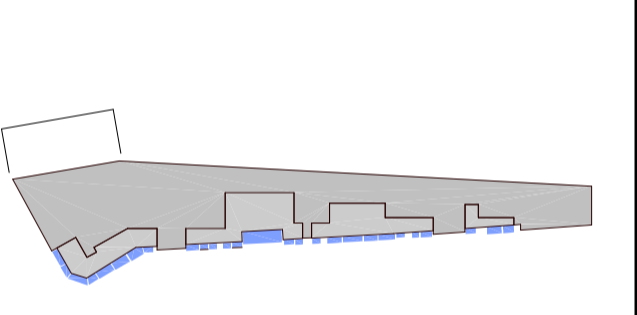
UK-LON-KGX1

Google

GOOGLE INC  
LONDON

REVISION NOTES

KEYPLAN



P00 ISSUE FOR PLANNING	20240705
DATE	08/12/23
Job Number	328299
Scale	As indicated
Drawn	ML
Checked	DH/IDJ
Approved	DH
CDE STATUS	

FOR APPROVAL

TITLE

LEVEL 00 - EAST  
ELEVATION LOUVRE  
DETAILS 1

SHEET NUMBER

KXC-A-001-A-PWA-01-00003	
PROJECT [ZONE] REF [ROLE] AUTHOR [NUMBER]	
CDE STATUS CODE	REVISION
A1	P00

19/07/2024 11:28:46 Autodesk Docs://UK-LON-KGX1/KXC-A-001-A-PWA-AGS-DOCUMENTS.rvt