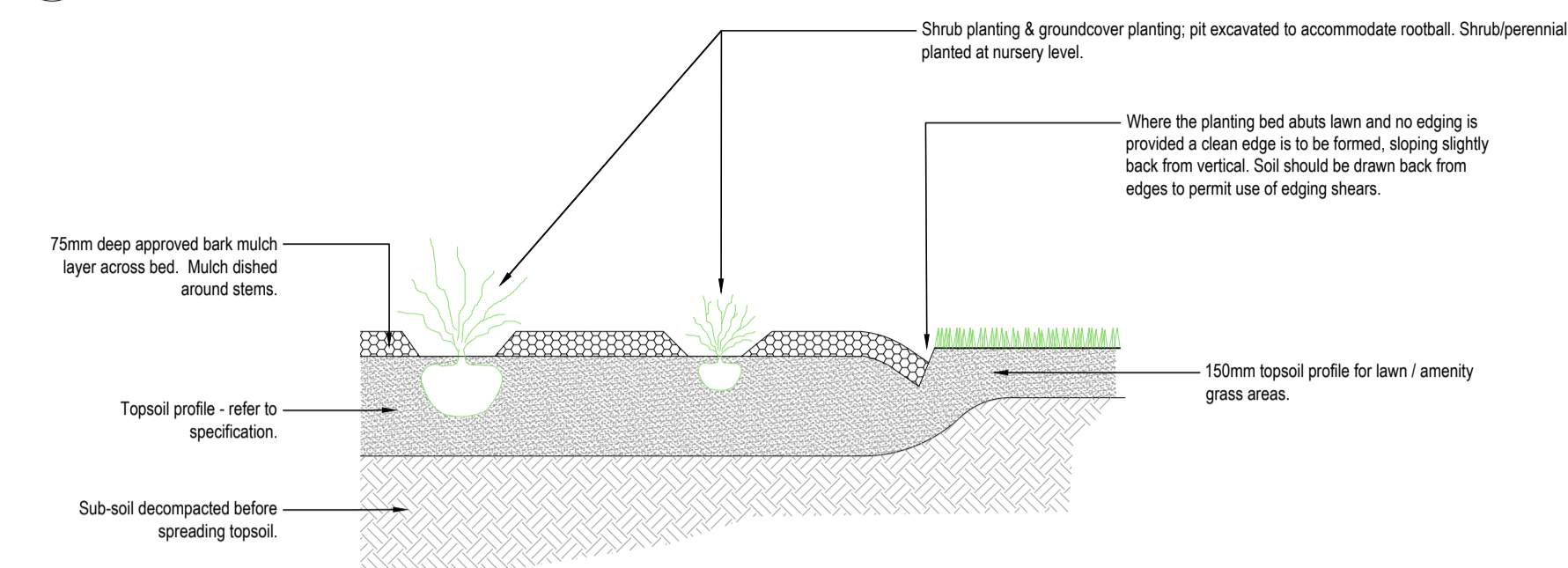
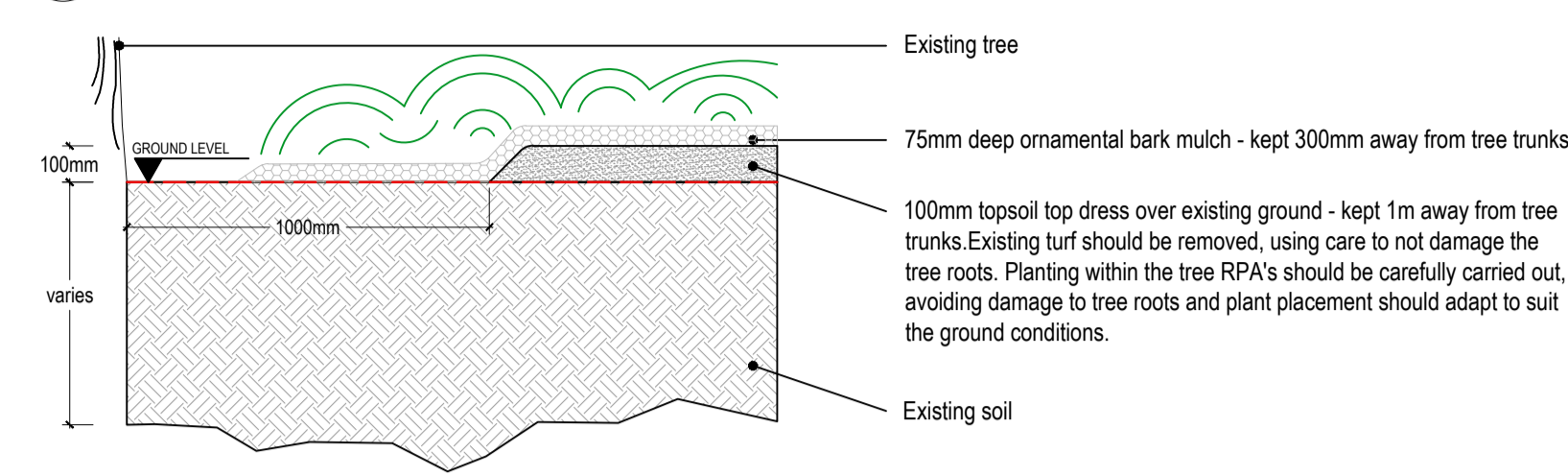


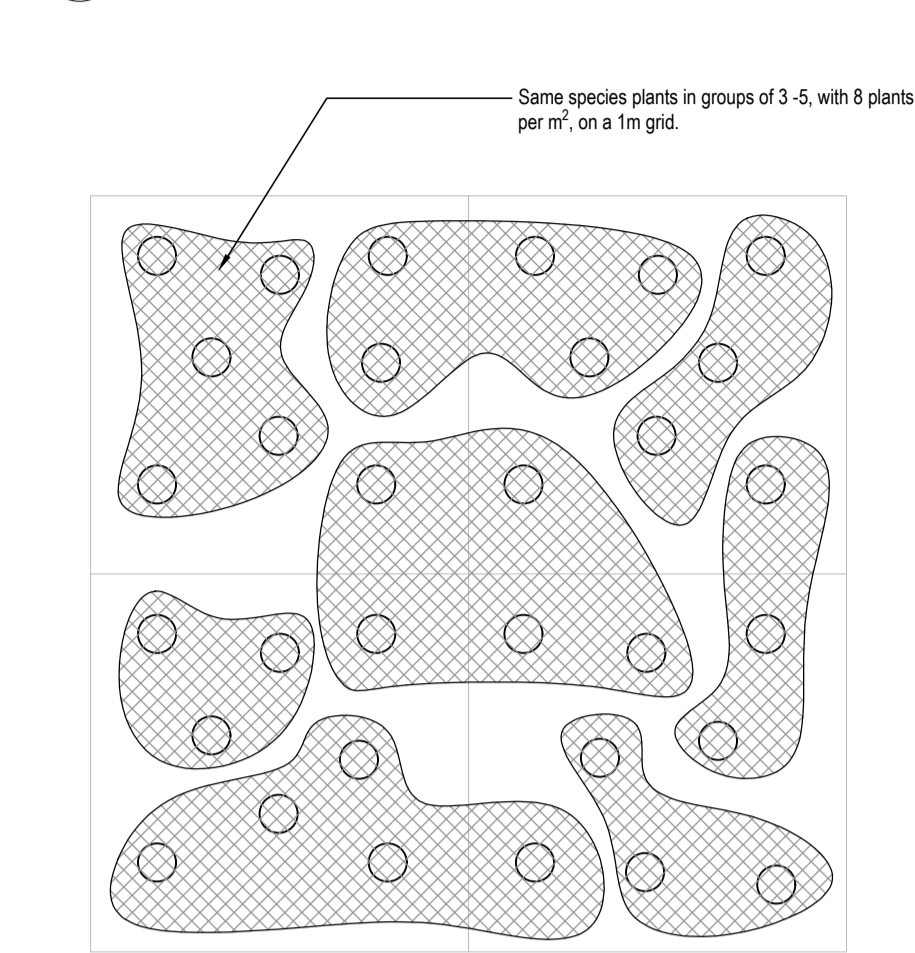
01 SHRUB & GROUND COVER PLANTING
TYPICAL SECTION



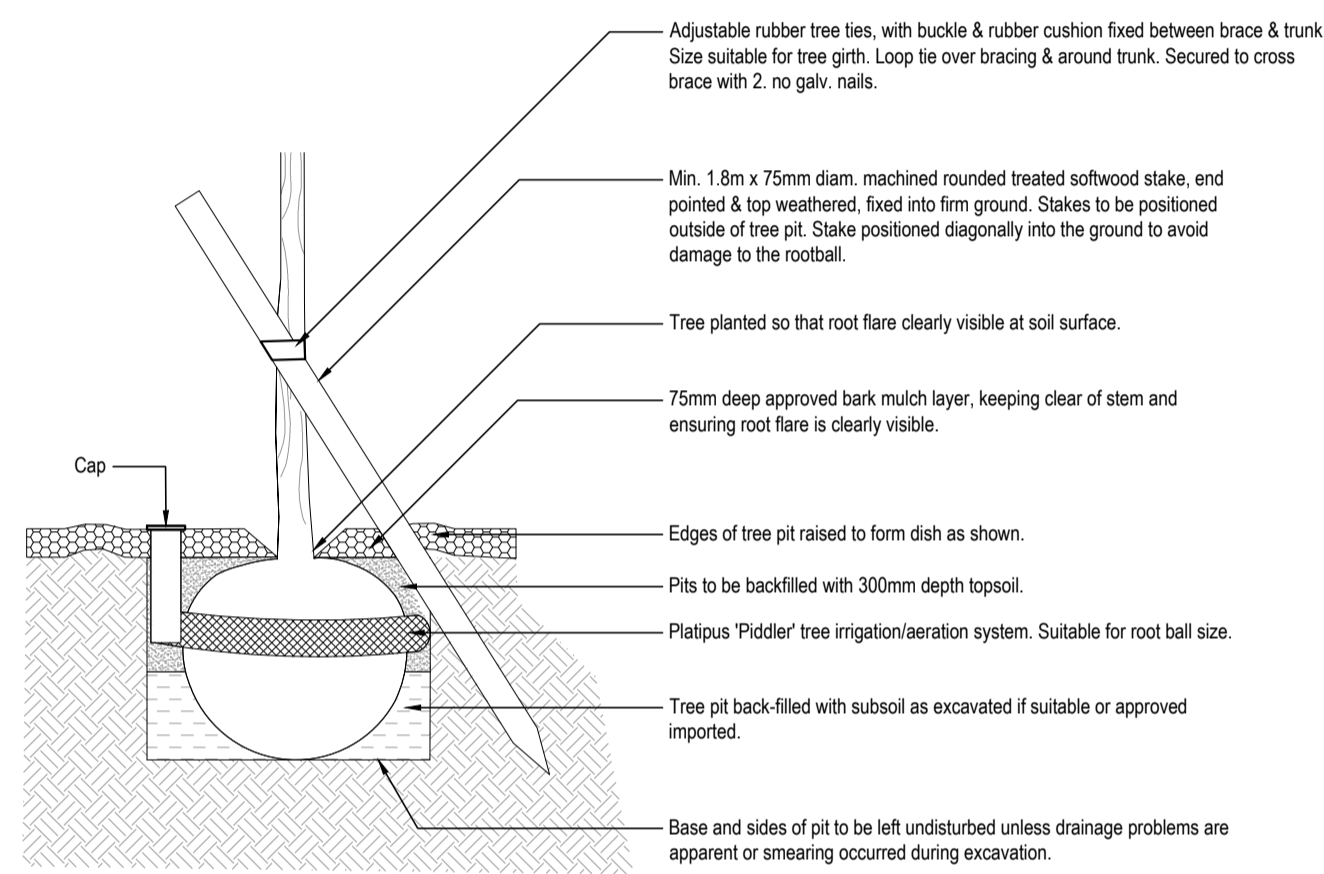
02 WOODLAND MIX PLANTING (RPA)
TYPICAL SECTION



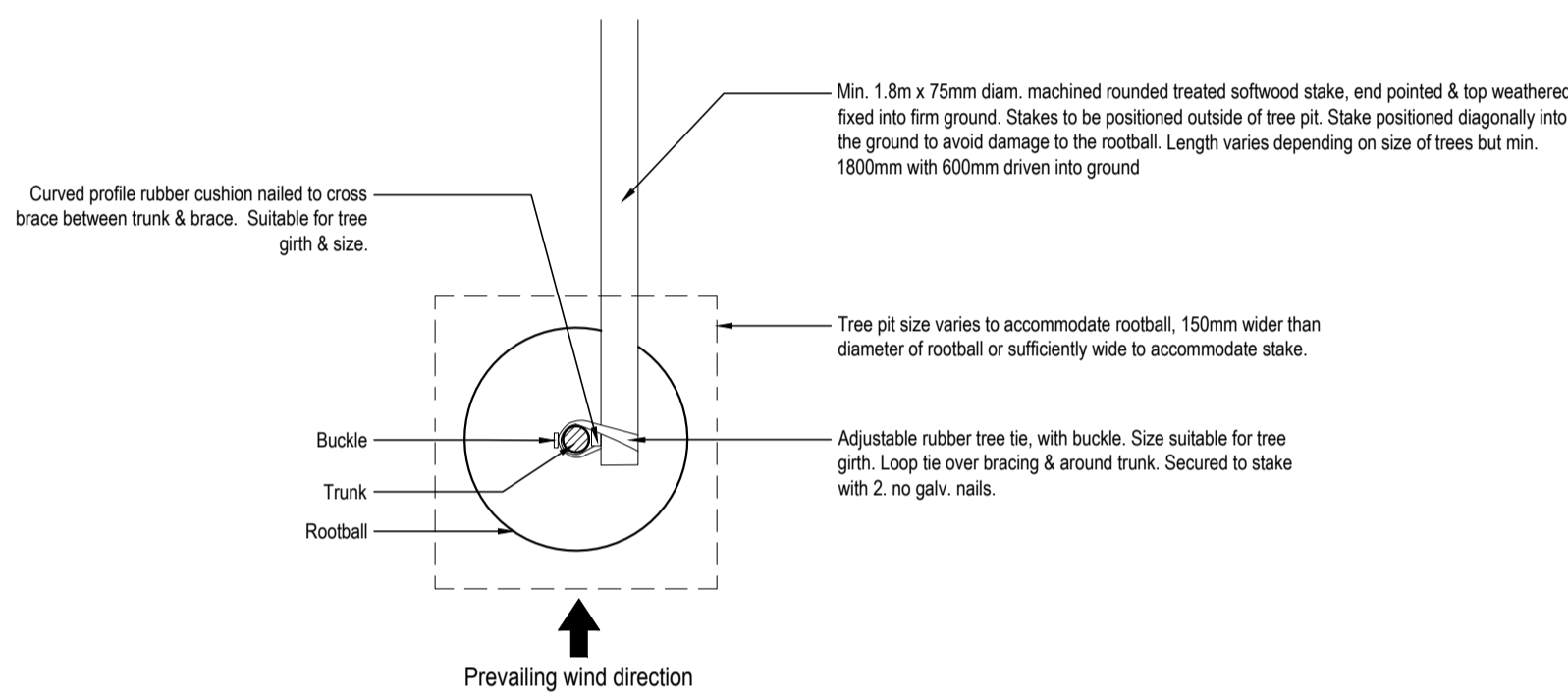
03 WOODLAND MIX
GRID MATRIX INDICATIVE SETTING OUT PLAN



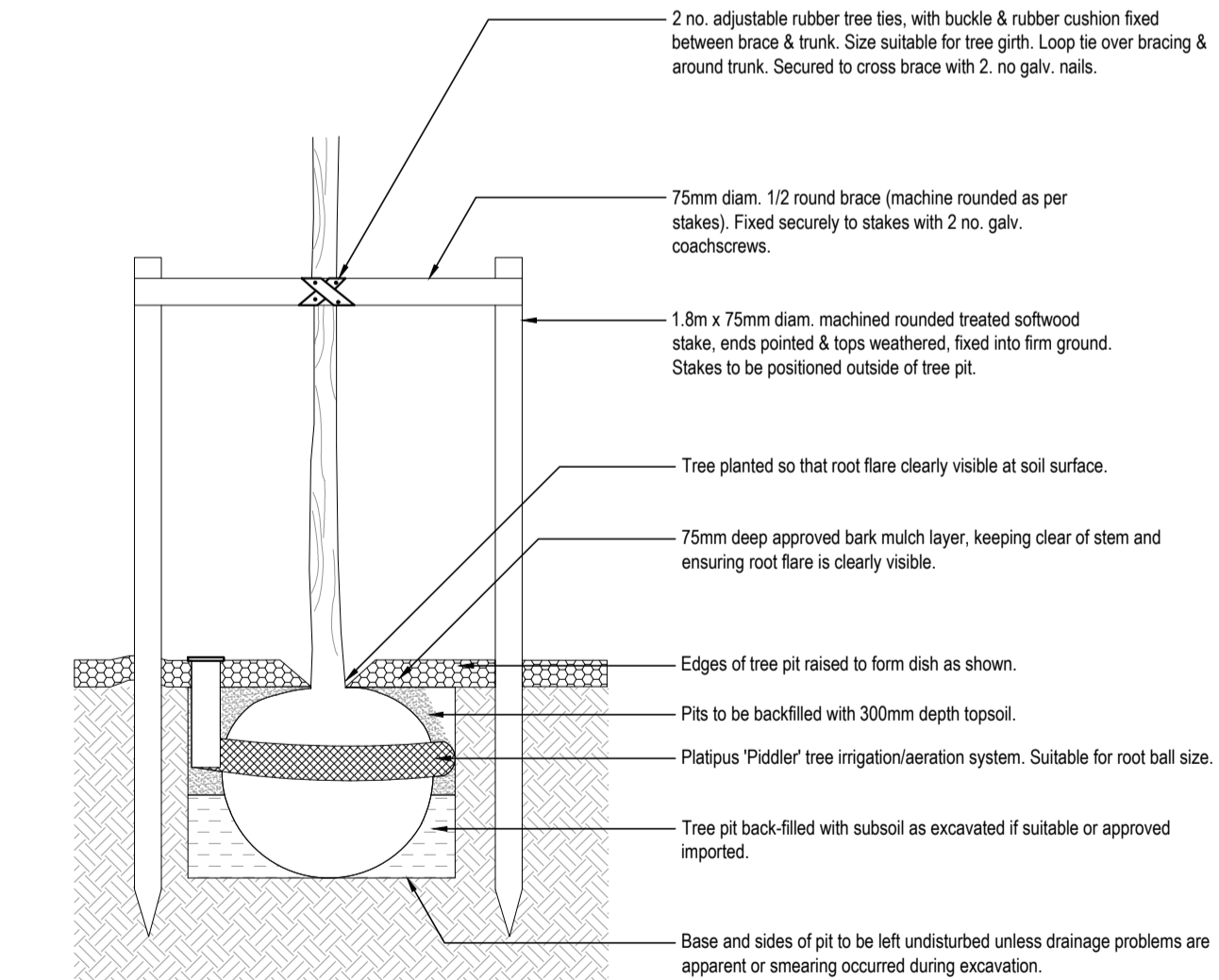
04 SINGLE TREE DETAIL
TYPICAL SECTION



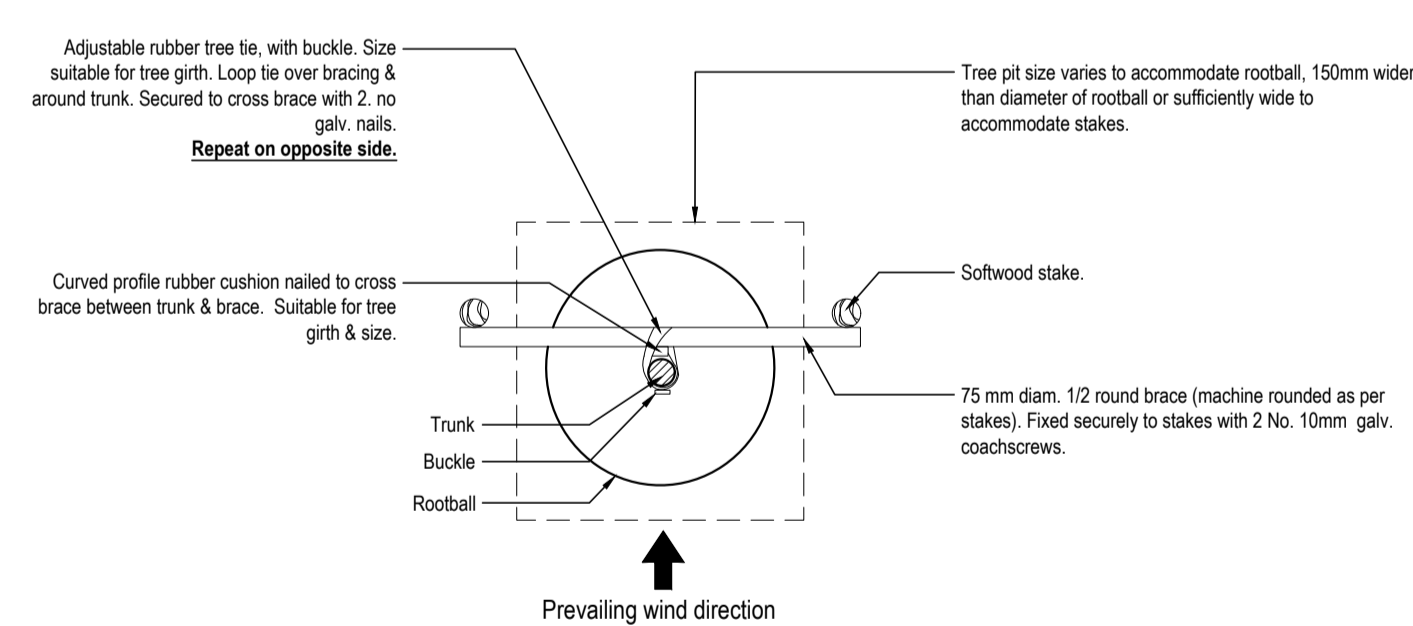
04 SINGLE TREE STAKING-BRACING
TYPICAL PLAN



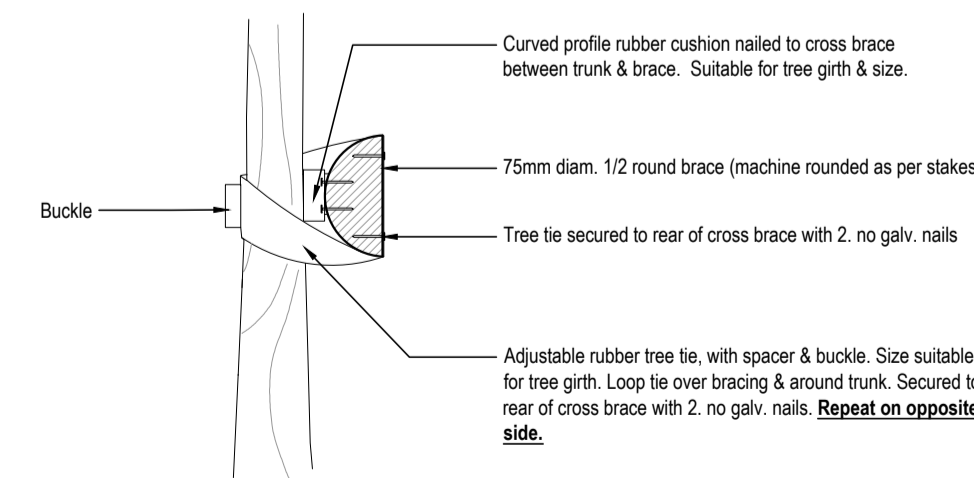
05 DOUBLE TREE STAKING
TYPICAL SECTION FOR CLEAR STEM TREES



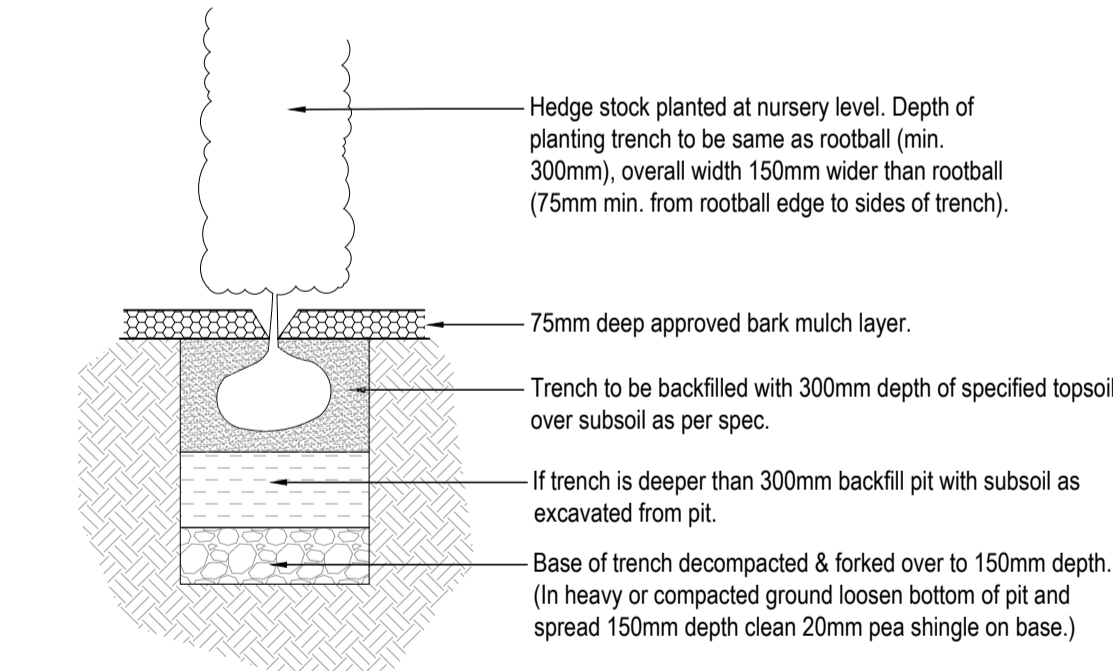
05 DOUBLE TREE STAKING-BRACING
TYPICAL PLAN FOR CLEAR STEM TREES



01 DOUBLE TREE STAKING-BRACING
TYPICAL SECTION



06 HEDGE PLANTING
TYPICAL SECTION



NOTE:
1. On steeper slopes or where space for a level platform is restricted adjust local slopes to provide sufficient soil depth over the rootball.
2. Stakes lengths may need to be increased to provide min. 1/3rd length below ground.
3. All timber stakes to be stained black with exterior quality stain.
4. Trees planted within grass areas to be set in mulched earth circles, 1m diameter around tree trunk, with turf trimmed neatly to form circle.

NOTE:
1. On steeper slopes or where space for a level platform is restricted adjust local slopes to provide sufficient soil depth over the rootball.
2. Stakes lengths may need to be increased to provide min. 1/3rd length below ground.
3. All timber stakes to be stained black with exterior quality stain.
4. Trees planted within grass areas to be set in mulched earth circles, 1m diameter around tree trunk, with turf trimmed neatly to form circle.

- All dimensions in millimetres unless otherwise indicated. All levels in metres relative to Ordnance Datum and are positive (AOD) unless otherwise indicated.
- Figure dimensions only to be taken from this drawing, do not scale except for planning purposes. Dimensions to be checked on site.
- For civil and structural matters including existing and proposed services, sub-base construction and site structures (including retaining walls over 900mm height) refer to information by others.
- The original version of this drawing was produced in colour - monochrome copies should not be relied upon to accurately reflect all drawing elements.
- This drawing has been prepared for planning purposes only and should not be used for quantification, tender or construction.

P03	31.07.24	AS	-	Revised in line with comments
P02	21.05.24	AS	-	Revised in line with comments
P01	17.05.24	AS	-	Stage 4 Issue
rev.	date	by	CHK	notes

project
Chester Road Hostel

title
Landscape Details

status
Stage 4

suitability
S4

dwg no
2497-TFC-00-XX-DR-L-4002

references

scale @ A1
1:20