



PROPOSED FRONT ELEVATION OF NO. 57

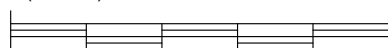
Discreet intercom call point, finished in black

Platform lift aligned to existing pedestrian gate - no change to existing railings or gates

SCALE 1:100

0 (metres)

5



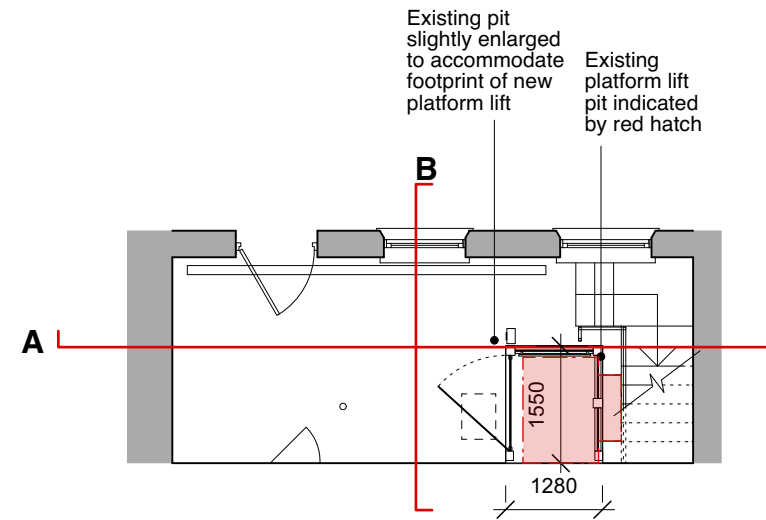
PROPOSED SECTION A

Staircase up to ground floor level indicated

Scissor mechanism lift bellow guard

Scissor lift mechanisms

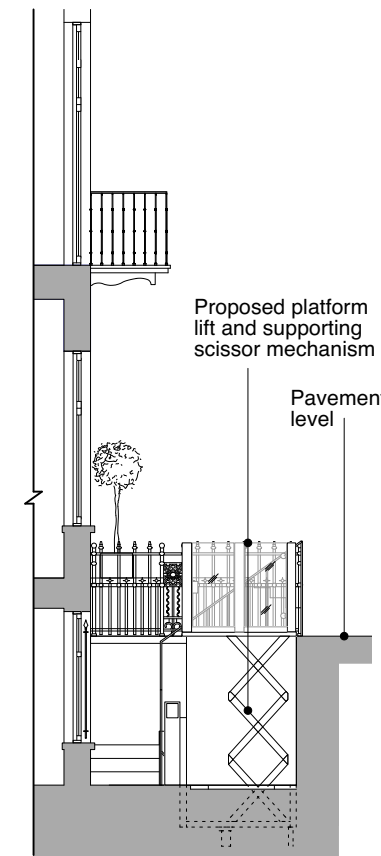
Excavation of shallow pit accommodate scissor lift mechanism



PROPOSED LOWER GROUND PLAN

Existing pit slightly enlarged to accommodate footprint of new platform lift

Existing platform lift pit indicated by red hatch

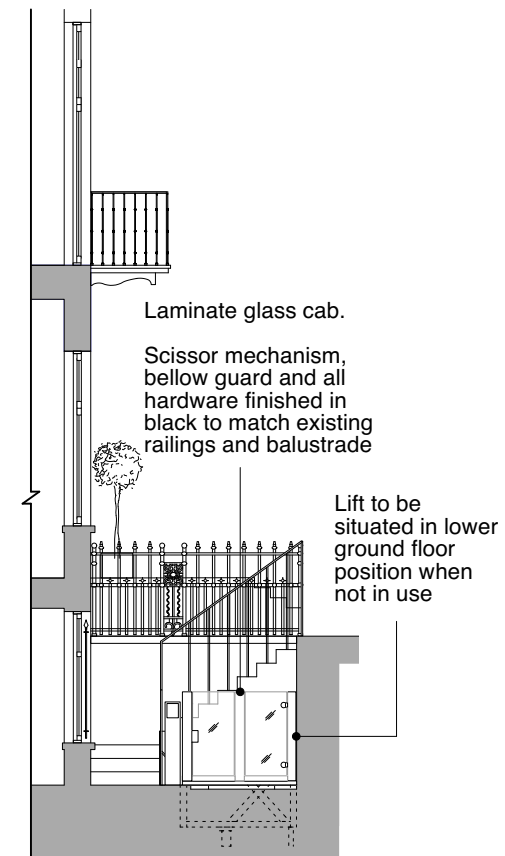


GROUND FLOOR LEVEL POSITION

PROPOSED SECTION B

Proposed platform lift and supporting scissor mechanism

Pavement level



LOWER GROUND FLOOR LEVEL POSITION

Laminate glass cab.

Scissor mechanism, bellow guard and all hardware finished in black to match existing railings and balustrade

Lift to be situated in lower ground floor position when not in use

GENERAL NOTES:

DO NOT SCALE FROM THIS DRAWING.

ALL DIMENSIONS MUST BE CHECKED ON SITE AND ANY DISCREPANCIES VERIFIED WITH THE ARCHITECT.

CLIENT
DE MORGAN HOUSE
CONFERENCE FACILITIES |
LONDON MATHEMATICAL
SOCIETY

SITE ADDRESS
57-58 RUSSELL SQUARE
LONDON,
WC1B 4HS

DRAWING TITLE
PROPOSED PLAN,
SECTIONS
& ELEVATION

SCALE
1:100 @ A3

DATE
09.24

FT | ARCHITECTS

Hamilton House
Mabledon Place
Bloomsbury
WC1H 9BB

020 7953 0388

www.ftarchitects.co.uk

DRAWING No. REVISION

501_04