

Example of HVI Mast

Notes:

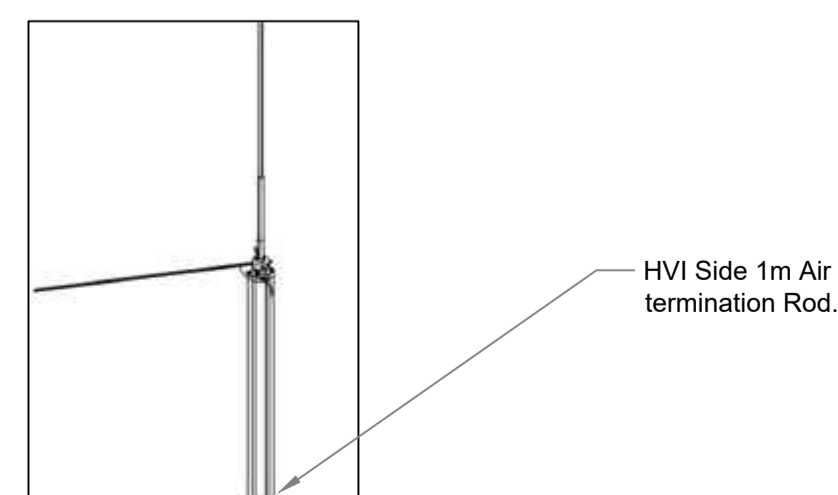
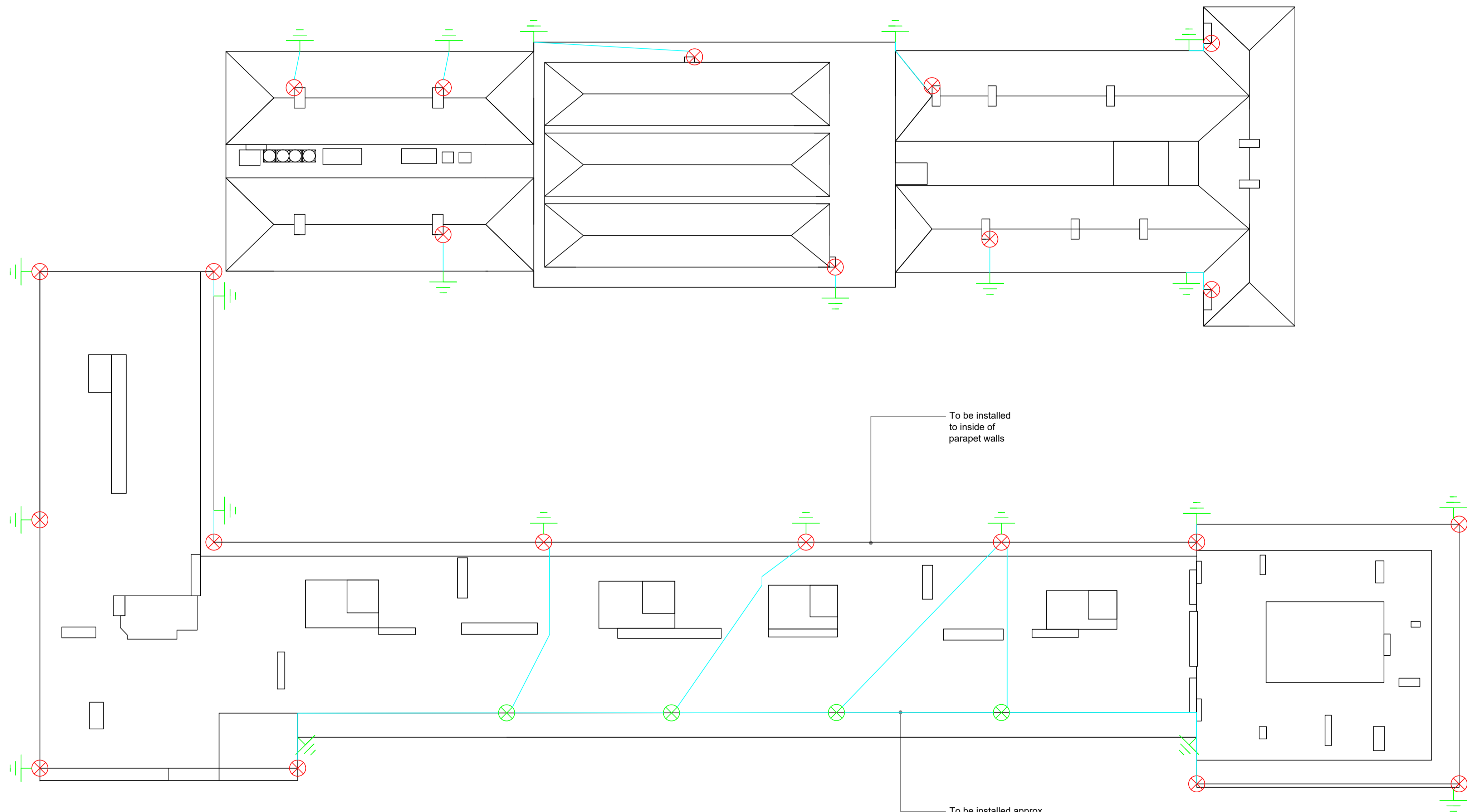
- Do not scale this drawing (printed or electronic versions).
- This drawing indicates design intent only and shall not be used as a working drawing or installation drawing. The contractor shall be responsible for producing his own fully coordinated working drawings.
- Contractors must check all dimensions on site prior to ordering materials or commencing work. Any discrepancies must be reported to the engineer immediately.
- This drawing is copyright and is for use on this site only.
- All structural & architectural elements, where indicated, have been imported from the engineers drawings and reference should be made to the individual structural / architectural drawings for exact dimensions.
- This drawing should be read in conjunction with all relevant consultants, specialist sub-contractors, supply chain drawings and specifications for exact setting out, size and type of component.
- Discrepancies and/or ambiguities within this drawing, between it and information given elsewhere, must be reported immediately to Ingleton Wood for clarification before proceeding.
- All works to be carried out in accordance with the latest British Standards/Codes of Practice/Building Regulations unless specifically directed otherwise in the specification.
- Responsibility for the reproduction of this drawing in paper form, or if issued in electronic format, lies with the recipient to check that all information has been replicated in full and is correct when compared to the original paper or electronic image.
- Graphical representations of equipment on this drawing have been co-ordinated, but are approximations only. Please refer to specifications and / or details for actual sizes and or specific contractor construction information.
- All builders work associated with the mechanical and electrical services installation must be included for.
- Contractor to review site Asbestos register prior to commencing works.
- The position of all equipment shown is indicative only. Final positions to be determined & indicated on working drawings.

Drawing Notes:

- Spacing between the masts will reflect the level of lightning protection, which has been calculated with a result of level 2 and the calculated penetration distance calculation from BS EN 62305.
- Tough potential hazards can achieve tolerable levels if the surface layer is not less than 100KQ. Which is generally achieved with a 50mm thick asphalt layer. Complying with clause 8.2 in BS EN 62305
- To fully complete to BS EN 62305 surge protection is to be installed.
- AR1-1 to AR1-5 are required for Phase 1 works
- AR2-1 to AR2-6 are required for Phase 2 works
- AR3-1 to AR3-14 are required for Phase 3 works

Legend

- HVI Masts secured to concrete wall via 2No. Brackets with a height of 5m above the top bracket.
- HVI Masts with 1m horizontal air termination rod secured to concrete wall via 2No. Brackets with a height of 5m above the top bracket.
- Down Conductor (HVI conductors) and Earth positions complete with inspection pit and 2400mm (minimum earth electrode length)
- HVI Conductor secured to roof surface at 1000mm centres.



PO1	Information Issue	21.06.24	NH	PK	
Rev	Description	Date	CHK	APP	
Project No:	502705	Scale @ A1:	1:200	Drawn By:	KS

Ingleton Wood Property and Construction Consultants
 Issuing office: Colchester
 T: 01206 224270
 www.ingletonwood.co.uk

Vision, form and function
 Project:
**HSLI Stone Building
 Lightning Protection System
 Stone Buildings
 London WC2A 3TL**
 Client:
Honourable Society of Lincoln's Inn

Title:
**Lightning Protection
 Option 3**
 Drawing Number:
HSLISB-IWD-01-XX-DR-E-5803

Status:	Purpose of Issue:	Revision:
S2	Information	P01