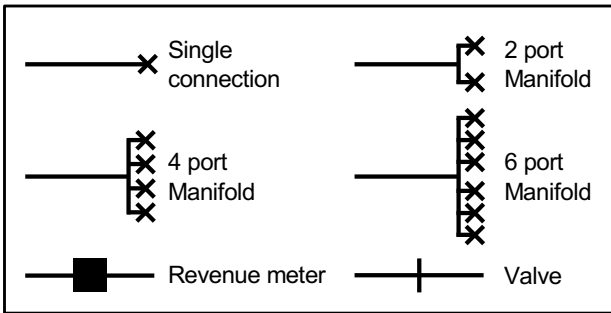


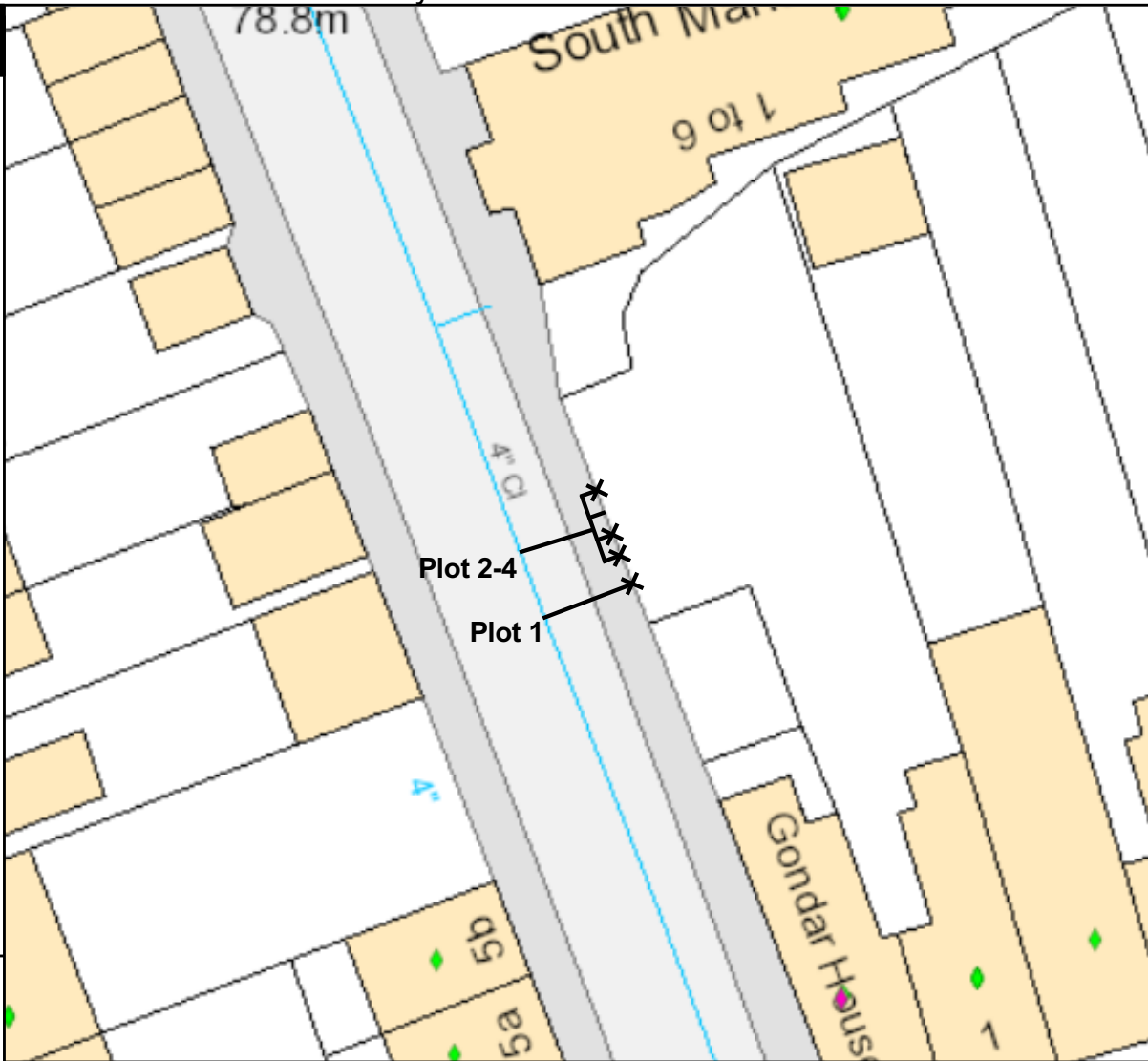


SITE LOCATION: R/O 1 Hillfield Road, West Hampstead, London, NW6 1QG			
DS Reference:	DS6097309	Service pipe material:	MDPE
Order number:	81245653	Designer:	Simon Wheeler
Co-ordinates:	X: 524786.42 Y: 185226.96	Date:	28/09/2022



Thames Water Point of Entry Plan - Not To Scale

Plot(s) and Connection Objects (CO)
<p><b>Plot 1: 1x25mm MDPE Temporary Building Supply to be retained for Domestic Metered Supply off 4" CI offsite</b></p> <p>CO: 7524840</p>
<p><b>Plot 2-4: 3x25mm MDPE Domestic Metered Supplies in a 4-Port Manifold with one capped off 4" CI offsite (50mm Service Connection)</b></p> <p>CO: 7524841-7524842 &amp; 7527764</p> <p>New Domestic</p> <p><b>Connection in: Gondar Gardens</b></p>
<p>Please ensure that you have a copy of this plan when you are booking your water regulations and on site during the inspections. This will enable us to confirm with you the correct plot to be inspected.</p>



Note: The position of the apparatus shown on this plan is believed to be correct at time of issuing this drawing. Thames Water accepts no responsibility in the event of any inaccuracy. The actual position of our apparatus, including existing service pipes which are not displayed on this plan must be established on site.

The proposed point of entry for the new service connections maybe subject to deviation due to unforeseen obstructions. Any variation from the designed position of the new water service connections may incur additional charges.

© COPYRIGHT: Unauthorised reproduction prohibited based on the ordnance survey map with the sanction of H.M Stationery Office, Licence Number: WU298557.

Thames Water Point of Entry Plan - Not To Scale