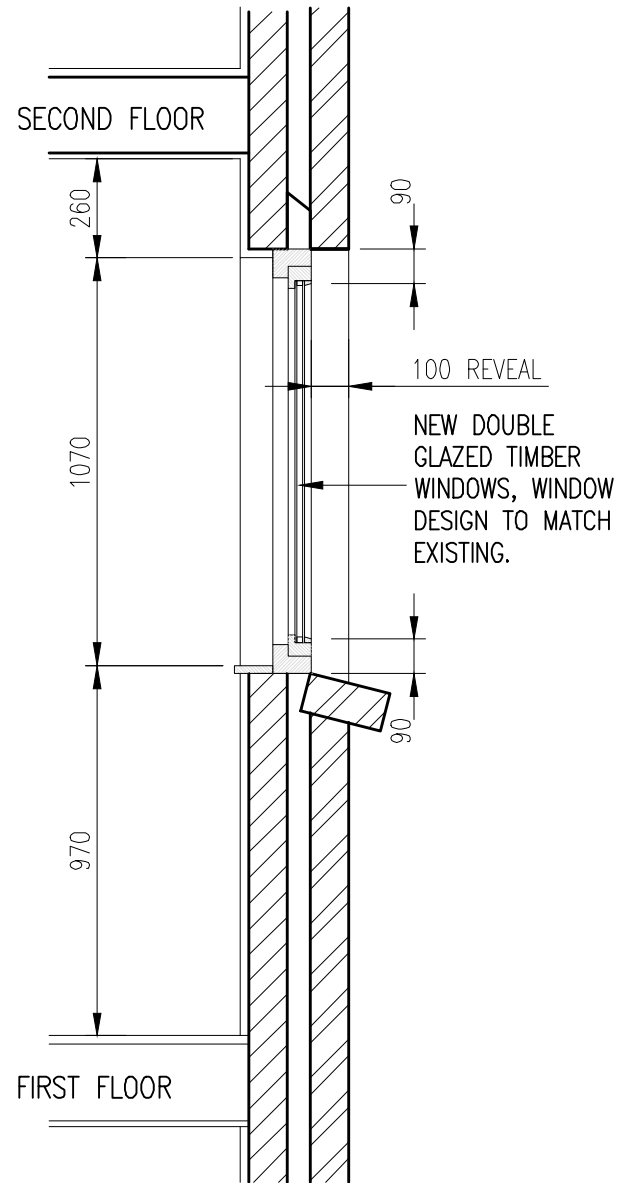


SECTION THROUGH EXISTING WINDOWS
ON NORTH ELEVATION (No. 41)
SCALE 1:20



SECTION THROUGH PROPOSED
WINDOW ON NORTH ELEVATION
SCALE 1:20

Drawing Title		
SECTION THROUGH EXISTING AND PROPOSED WINDOWS 41 BEAUMONT WALK NW3 4SW LONDON		
Project No.	Discipline	Drawing No.
WE02607	S	810
Scale	Date	Revision
1:20	09/24	-
Drawn	Checked	Sheet Size
RN		A4