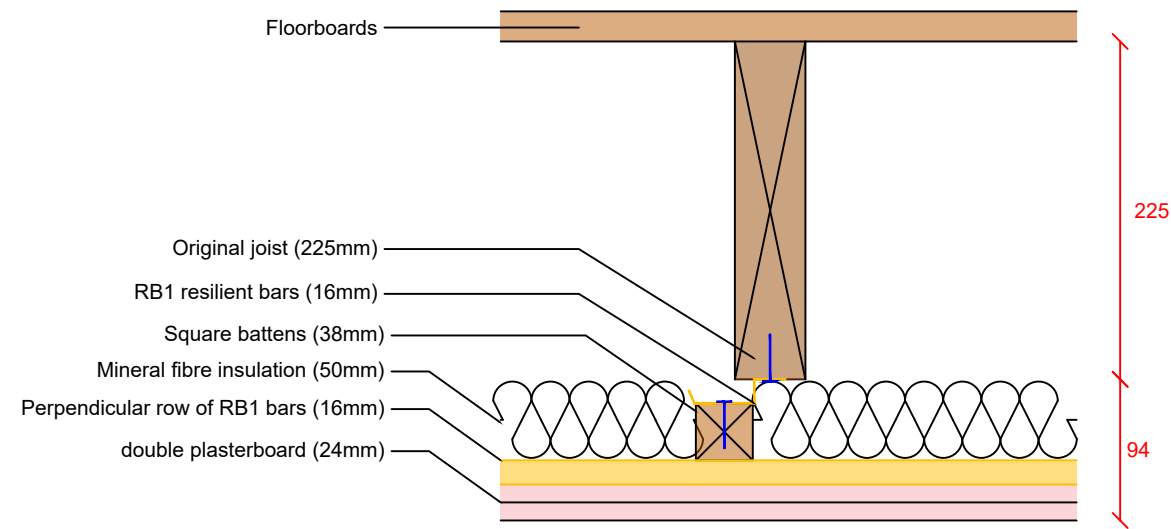
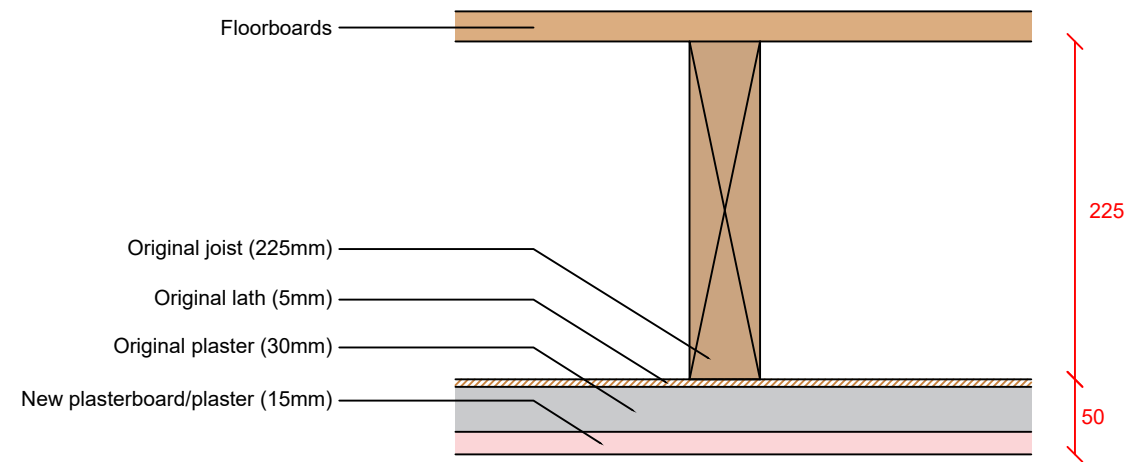


### Proposed Ceiling Section



### Existing Ceiling Section



Client	London Diocesan Fund
Site Address	Flat 10b The Grove, London, N6 6LB
Project	Flat 10b The Grove
Drawing Title	Existing & Proposed Ceiling Sections

**SIMON LEVY ASSOCIATES**  
CHARTERED BUILDING SURVEYORS



Drawings prepared for:  
Planning and Development - Boundary Issues  
Expert Witness - Party Walls - Insurance  
Project Management - Conservation - Dilapidations  
Subsidence and Settlement

Link House, 49 Theobald Street  
Borehamwood, Herts, WD6 4RT  
Tel: 0208 207 6100  
Email: info@simonlevy.net  
www.simonlevy.net

Drawing Number:	SLA 9755.102
Date:	Aug 24
Scale:	n / a
Drawn by:	LW
DWG Size:	A3

Registered Office: Link House, 49 Theobald Street  
Borehamwood, Hertfordshire, WD6 4RT.  
Established in 1986.