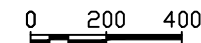
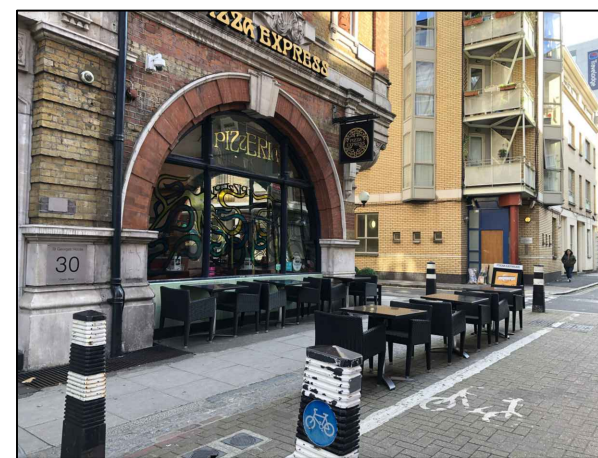


WIND BREAK- DIMENSIONS

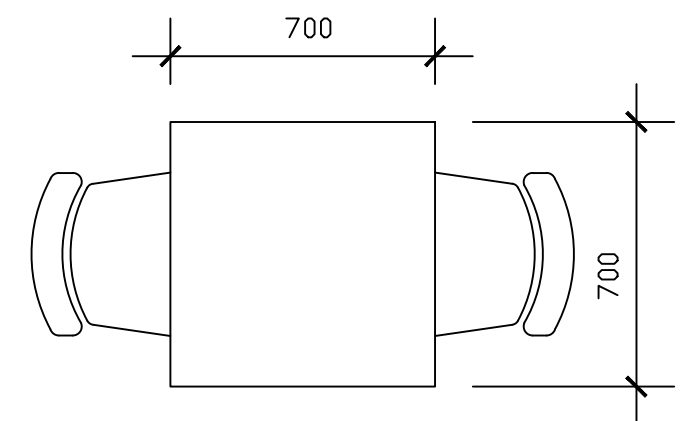
Scale 1:20 @ A3



FURNITURE PHOTOS



EXISTING PHOTO



FURNITURE DIMENSIONS

Scale 1:20 @ A3



PIZZA EXPRESS LIMITED
2ND FLOOR,
60 CHARLOTTE STREET
LONDON, W1T 2NU

Job N°/Drg N°
/

Rev Scale Status

1:100 @A3

Job
PE Coptic Street

Date
30.10.19

Director Author Check
OJ

Drawing
PAVEMENT LICENSE

Do not scale for any other purpose, use figured dimensions only. Subject to site survey and all necessary consents. All dimensions to be checked by user and any discrepancies, errors or omissions to be reported to the Architect before work commences. This drawing is to be read in conjunction with all other relevant materials. Figures relate to the current stage of the project and any development decisions to be made on the basis of this information should include due allowance for the increases and decreases inherent in the design and building processes.