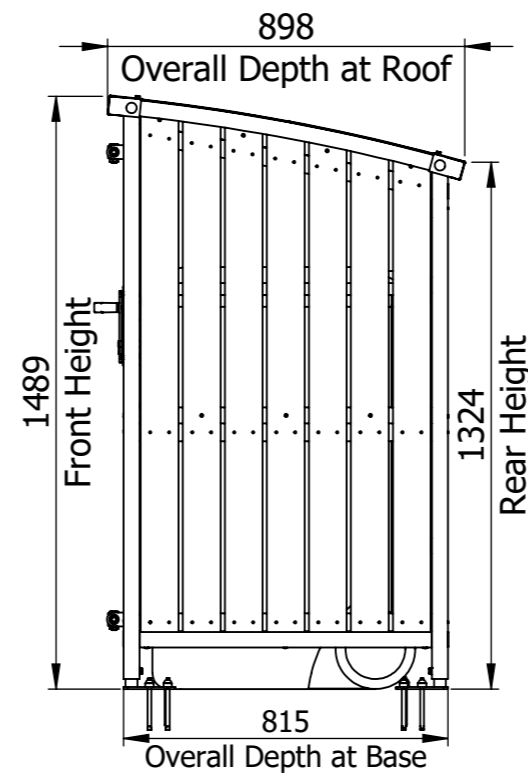
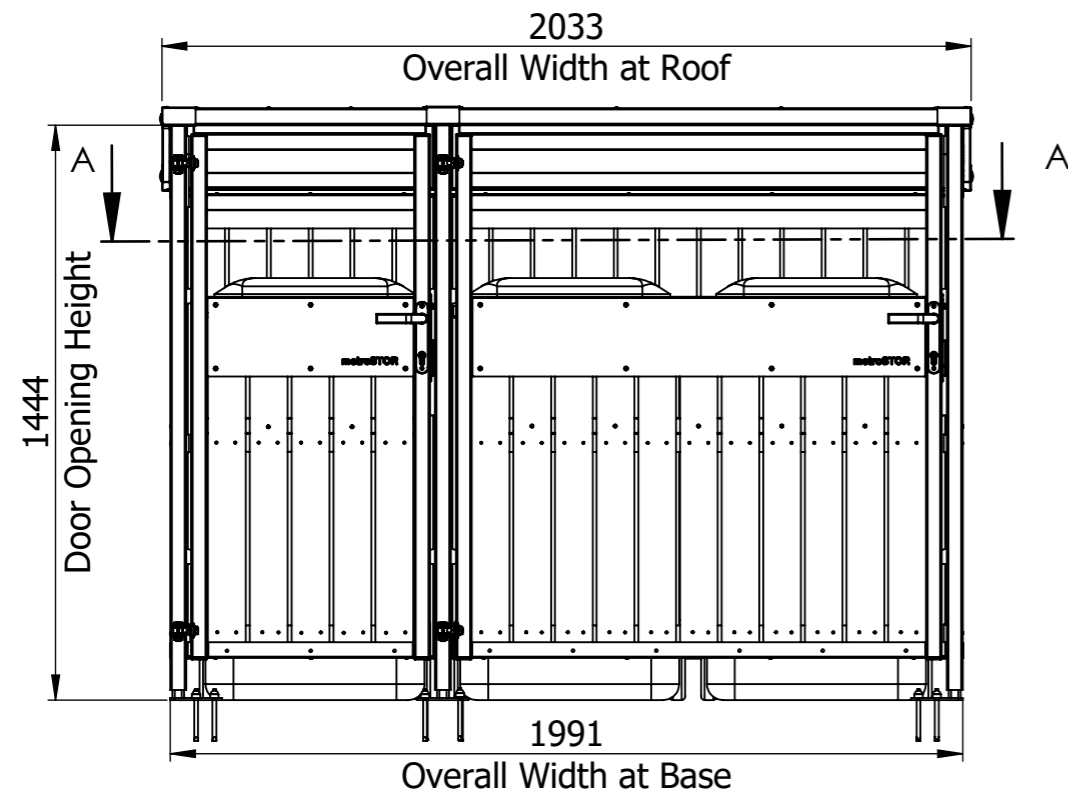
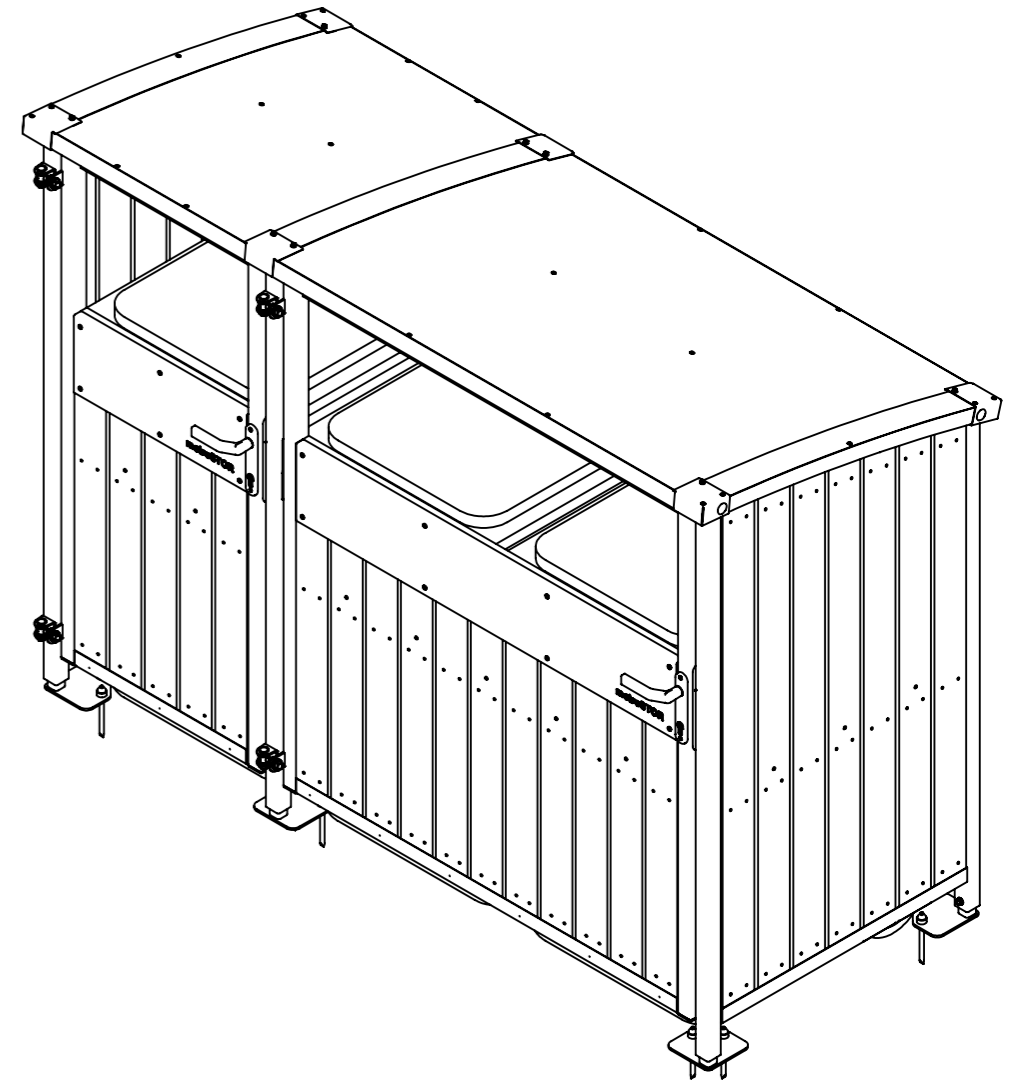
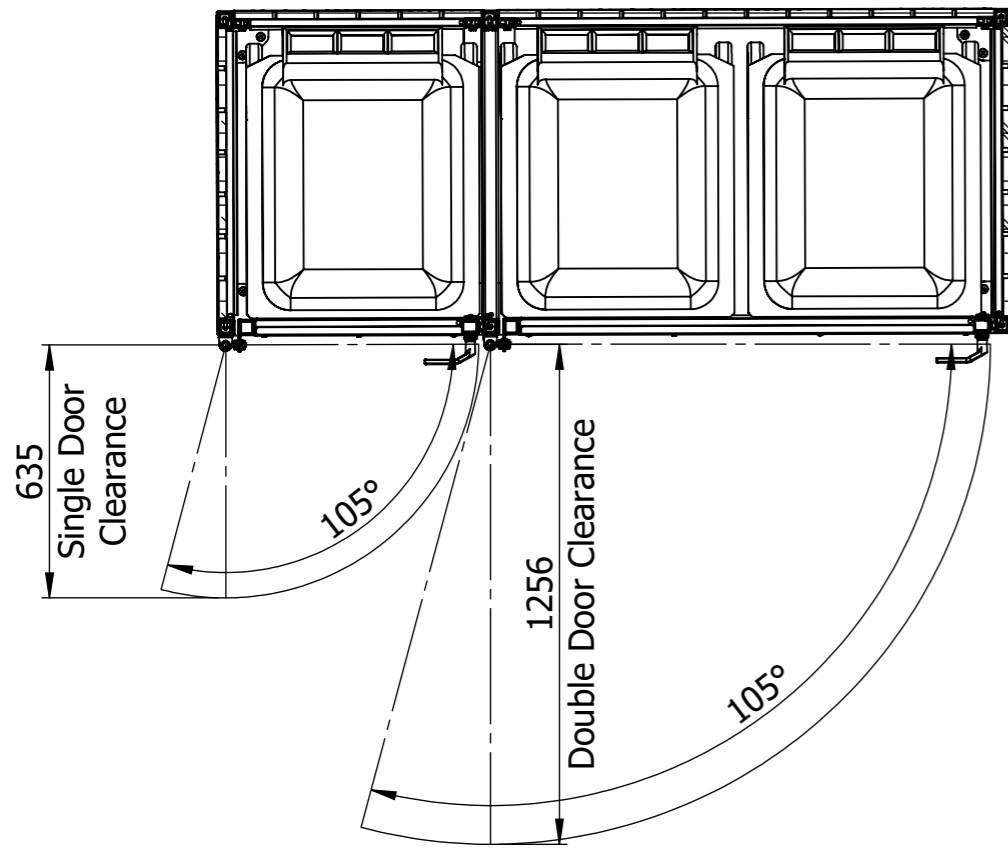


PBL3_LHH_SWD_GW_EU - UNIT DIMENSIONS



Drawing Notes:

- Cladding finish and access control type for illustration only.

Ensure the drawing is the correct issue & release before using.

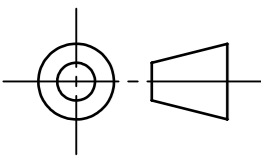


This is property of Streetspace Ltd and shall not be disclosed, duplicated or used without formal consent.

Streetspace Ltd.
Lympe Industrial Park
Hythe
Kent
CT21 4LR



01227 200404
www.streetspacegroup.co.uk



Rev.	Details	Drawn by	Date	Check by	Approved by	Part No.	M01-0003	ISO A3 Landscape	
						Description	PBL3_LHH_SWD_GW_EU	ALL DIMENSIONS IN mm DO NOT SCALE	
		Drawn By	AS	Date	24.03.2023	Status	TECH 2D	Revision	00
		Approved By		Date		Issue		2	