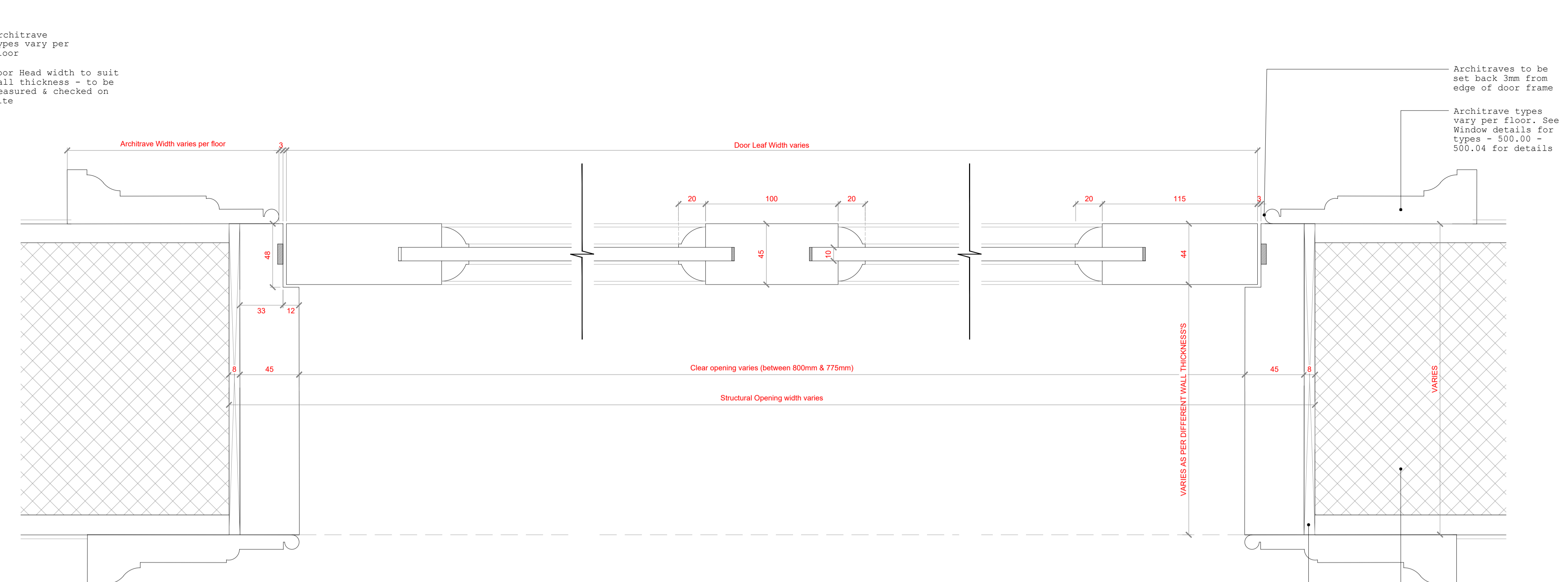
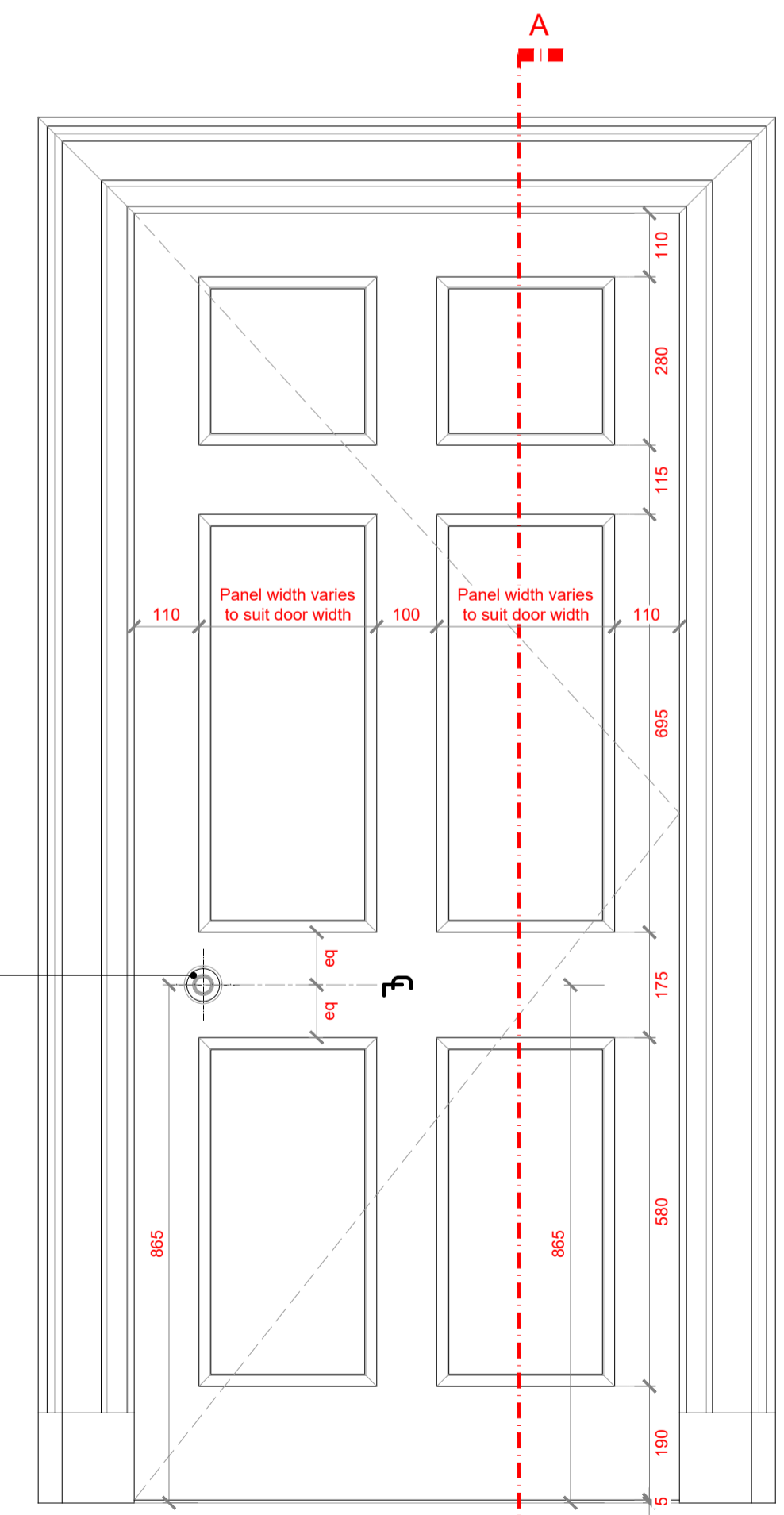


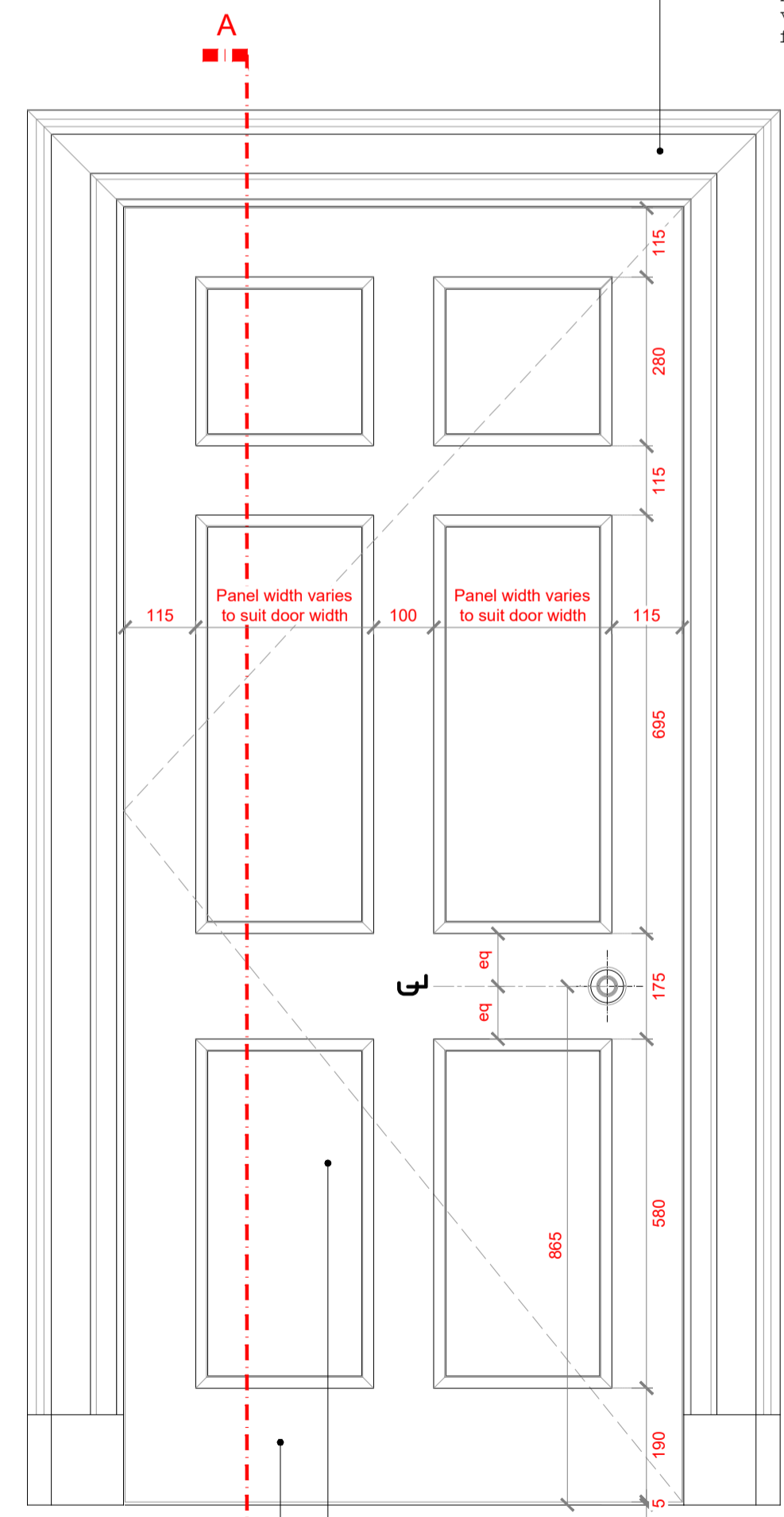
DETAIL 01
VERTICAL DOOR SECTION
1:2@A1



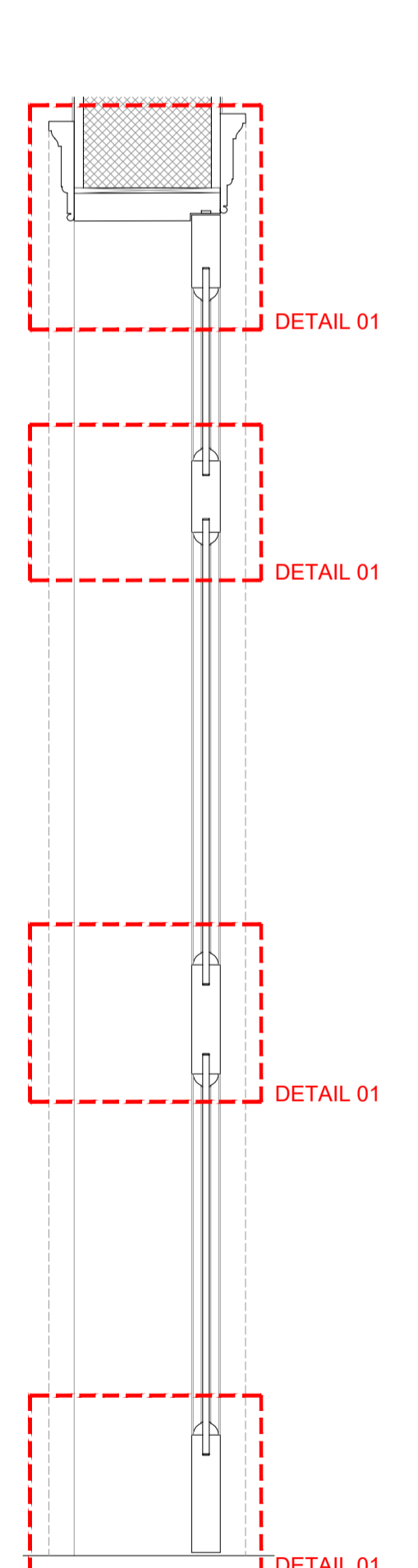
DETAIL 02
HORIZONTAL DOOR SECTION
1:2@A1



ELEVATION 1
1:10@A1



ELEVATION 2
1:10@A1



NOTE:

All measurements are subject to those taken on site.

DETAILS ARE SHOWN INDICATIVELY FOR INFORMATION PURPOSES

To be read in conjunction with Drawing numbers;

500.00, 500.01, 500.02 & 500.04

Hollaway

London | 12a Acton Street London WC1X 9HG
T +44 (0) 20 7094 9429 | E London@hollawaystudio.co.uk | W www.hollawaystudio.co.uk
Kent | The Tramway Stables | Rampart Road | Hythe | Kent | CT21 5BQ
T +44 (0) 1303 260 515 | E Kent@hollawaystudio.co.uk | W www.hollawaystudio.co.uk

Project | 64-66 ARGYLE ST
64-66 ARGYLE ST, KINGS CROSS, LONDON

Client | ST PANCRAS HOTELS GROUP

Title | GENERAL DOOR DETAILS G.1

Status | PLANNING

Scale | A1 | Date | MAY 24 | Drawn | AA | Chk'd | TG

Project Number | Drawing Number | Revision
22.0126 | 500.14 | -----
Bim Number | 22.0126-HOL-XXX-DR-A-500.14-50-000

GENERAL INTERNAL DOOR DETAILS GROUND FLOOR AND FIRST FLOOR ONLY - scale: As noted