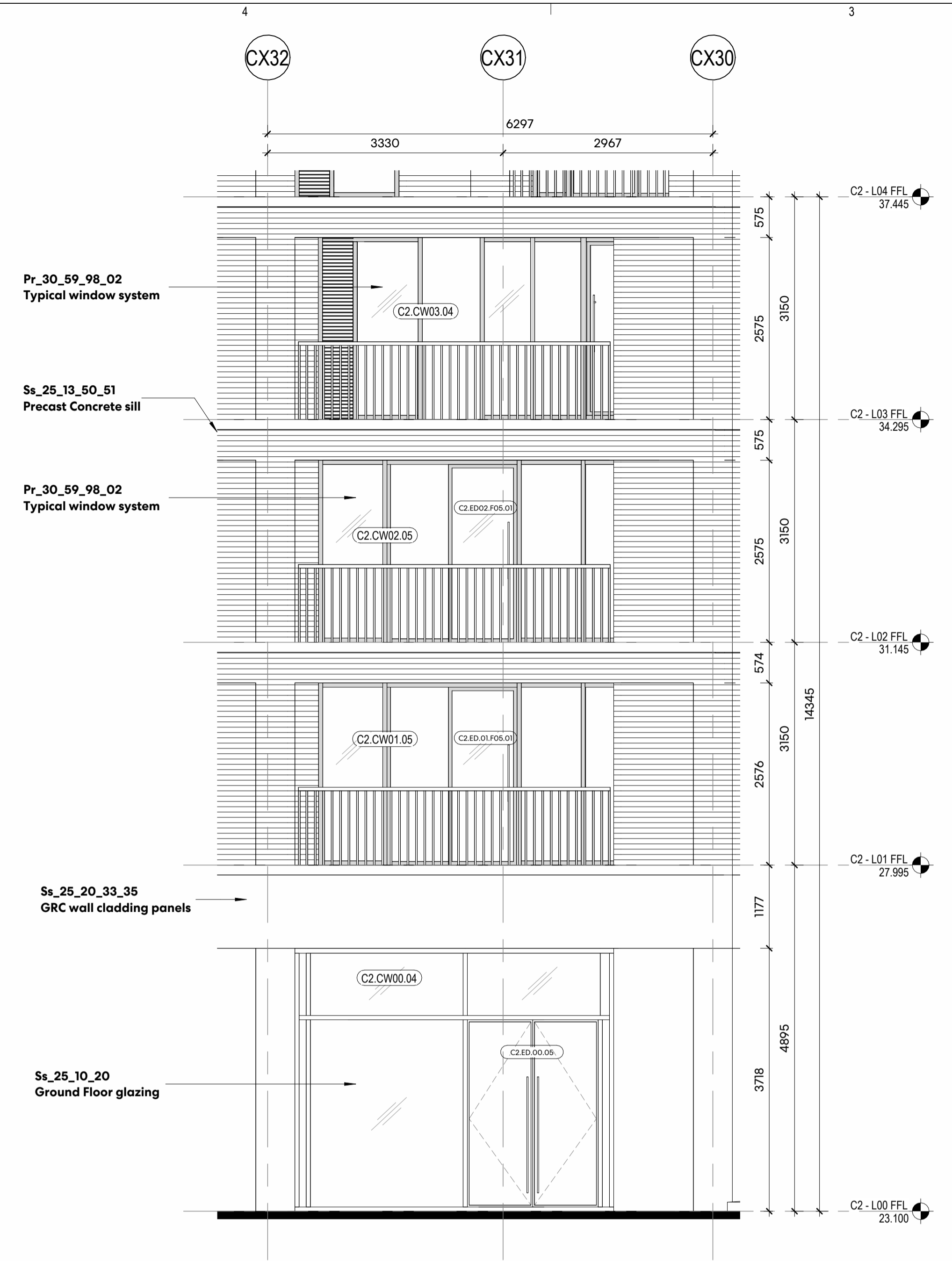
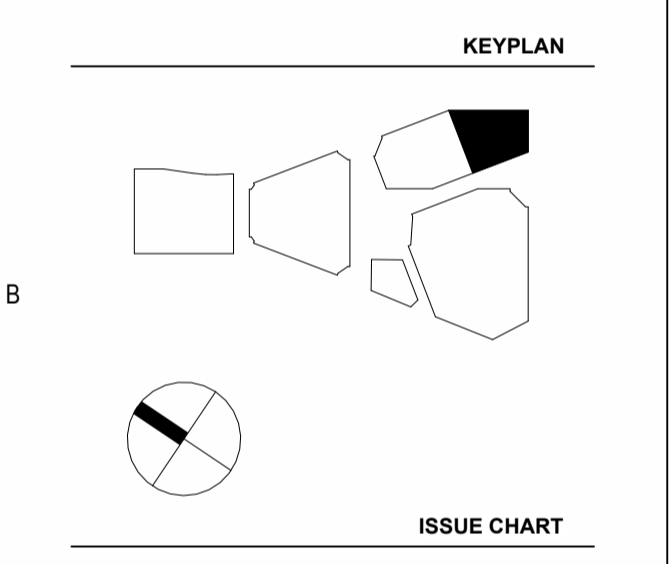


50mm
25
0mm 5
Scale 1:50

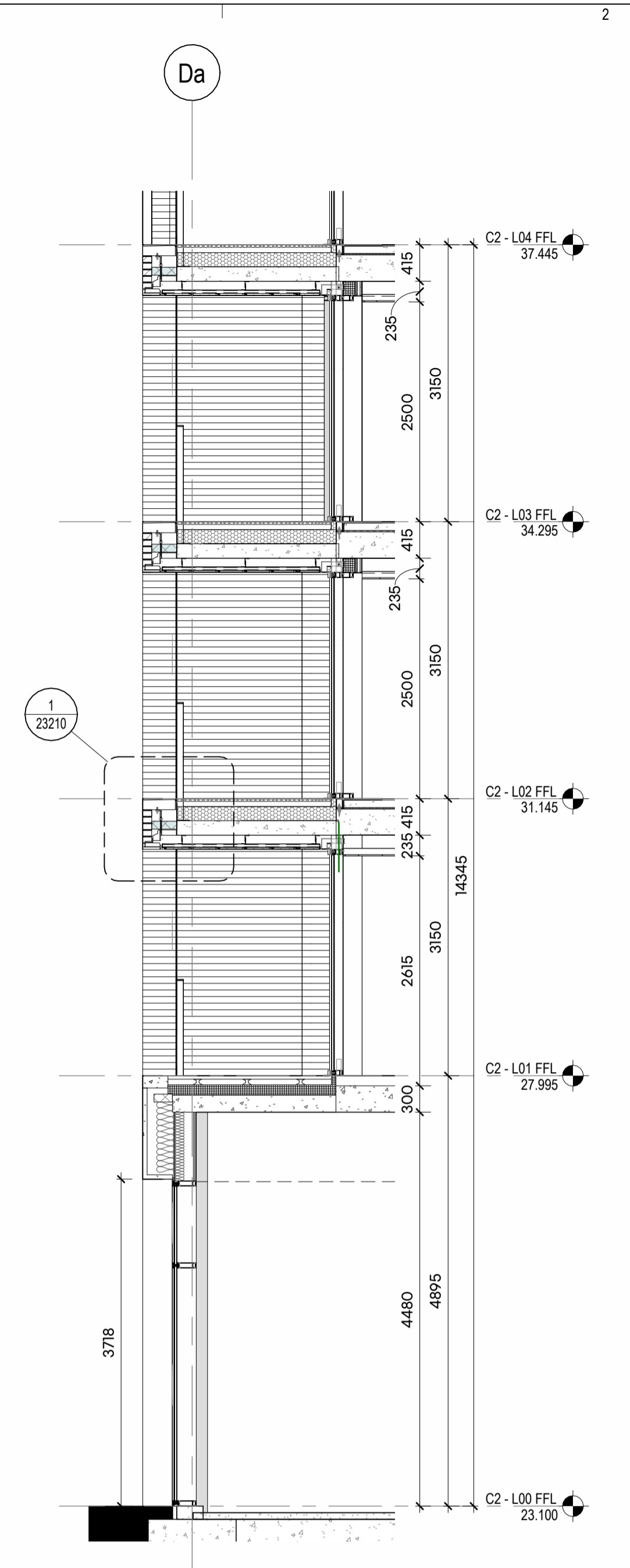
NOTES
Drawing indicates design intent only.
All information, areas, dimensions and datum levels are subject to detailed survey, detailed design and investigative work.
Do not scale from the drawing.
This drawing is the property of Perkins&Will UK Ltd. No disclosure or copy of it may be made without the written permission of Perkins&Will UK Ltd.

STAGE 4
PROJECT

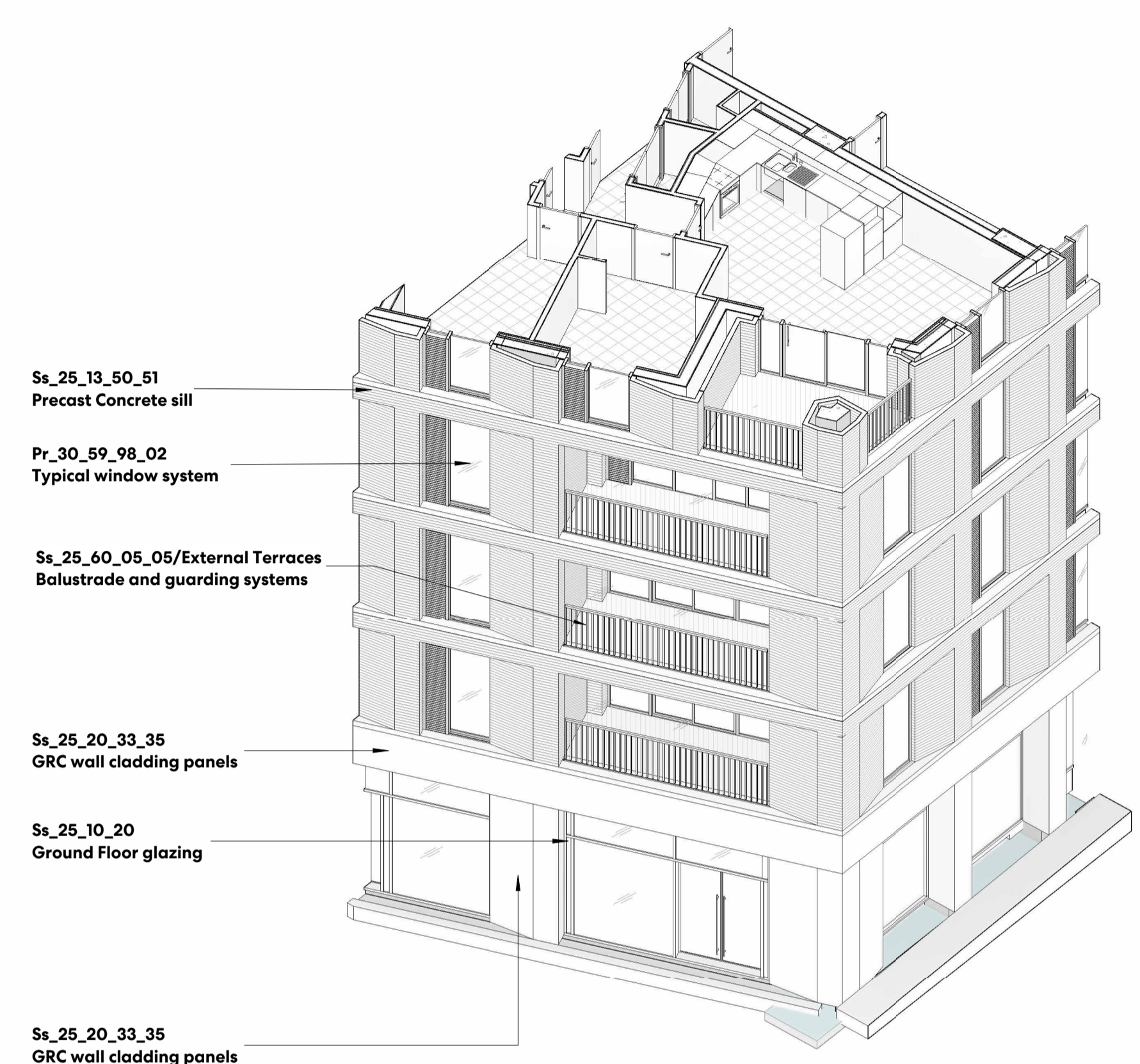
TRIBECA Reef Group
Plot C - The Assembly and Connector



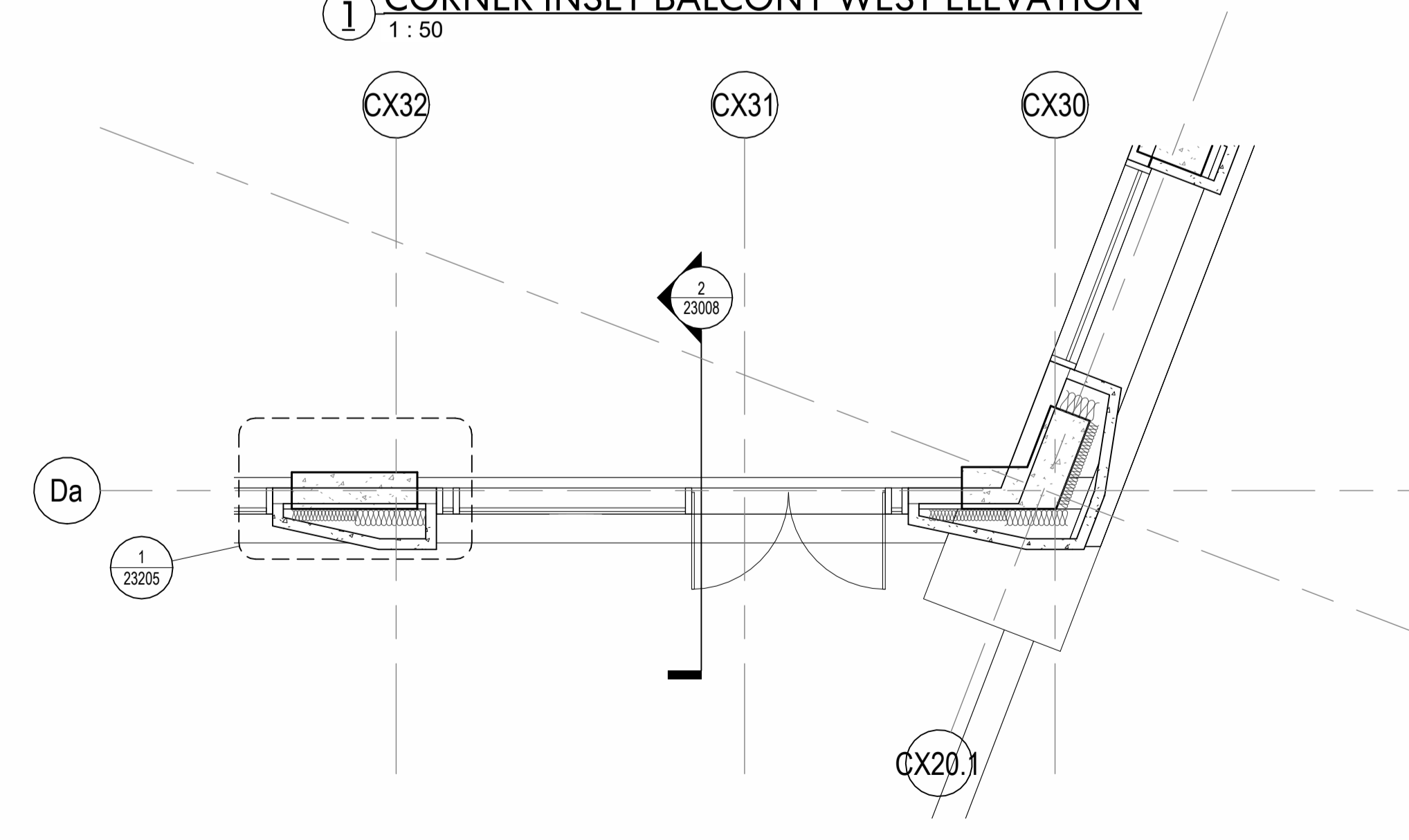
1 CORNER INSET BALCONY WEST ELEVATION
1:50



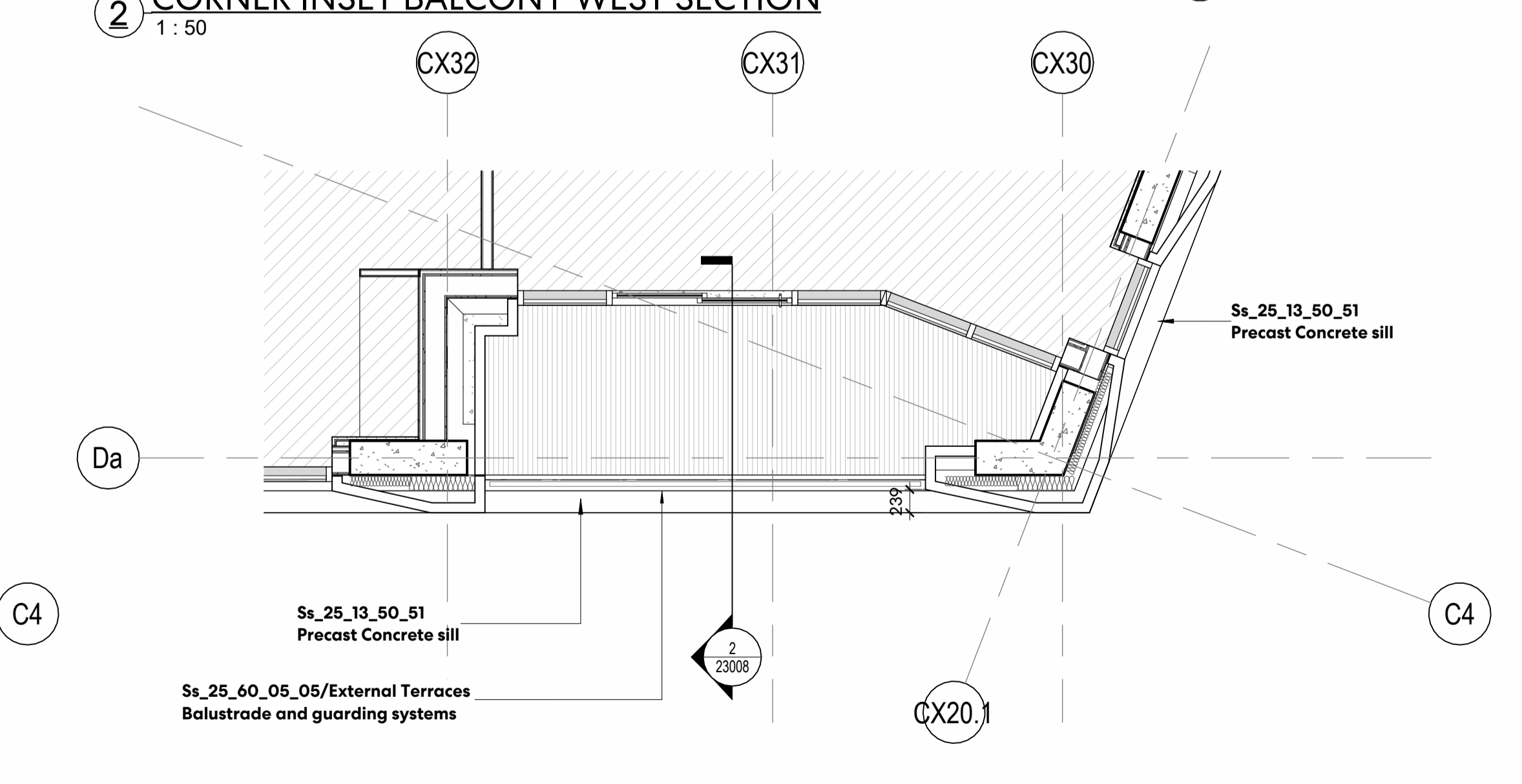
2 CORNER INSET BALCONY WEST SECTION
1:50



5 CORNER INSET BALCONY WEST 3D



3 GFL ENTRANCE PLAN
1:50



4 CORNER INSET BALCONY WEST-PLAN
1:50

| | | |
|------------|------------------------|------------|
| P01 | Stage 4 Issue - Tender | 28/03/24 |
| MARK | ISSUE | DATE |
| Date | | 07/11/22 |
| Job Number | | 322596 |
| Scale | | 1:50 @A1 |
| Drawn | | RF |
| Checked | | DS |
| Approved | | PD |
| | | CDE STATUS |

STAGE 04 - TENDER
TITLE
C2-INSET BALCONY BAY WEST & GF ENTRANCE WEST

SHEET NUMBER
TRI - PWA - C2 - ZZ - DR - A - 23008
PROJECT | AUTHOR | LEVEL | TYPE | ROLE | NUMBER
CDE STATUS CODE | REVISION
S3 **P01**
Copyright © 2024 Perkins+Will