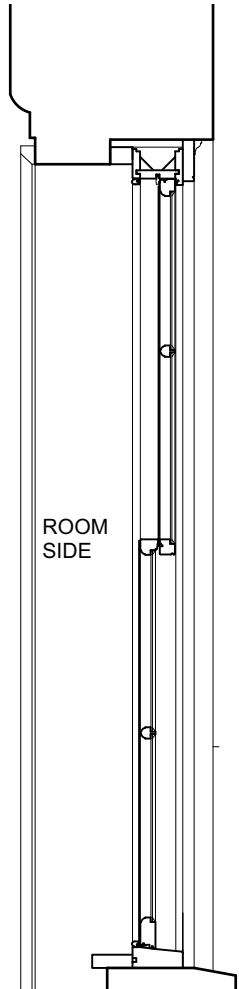
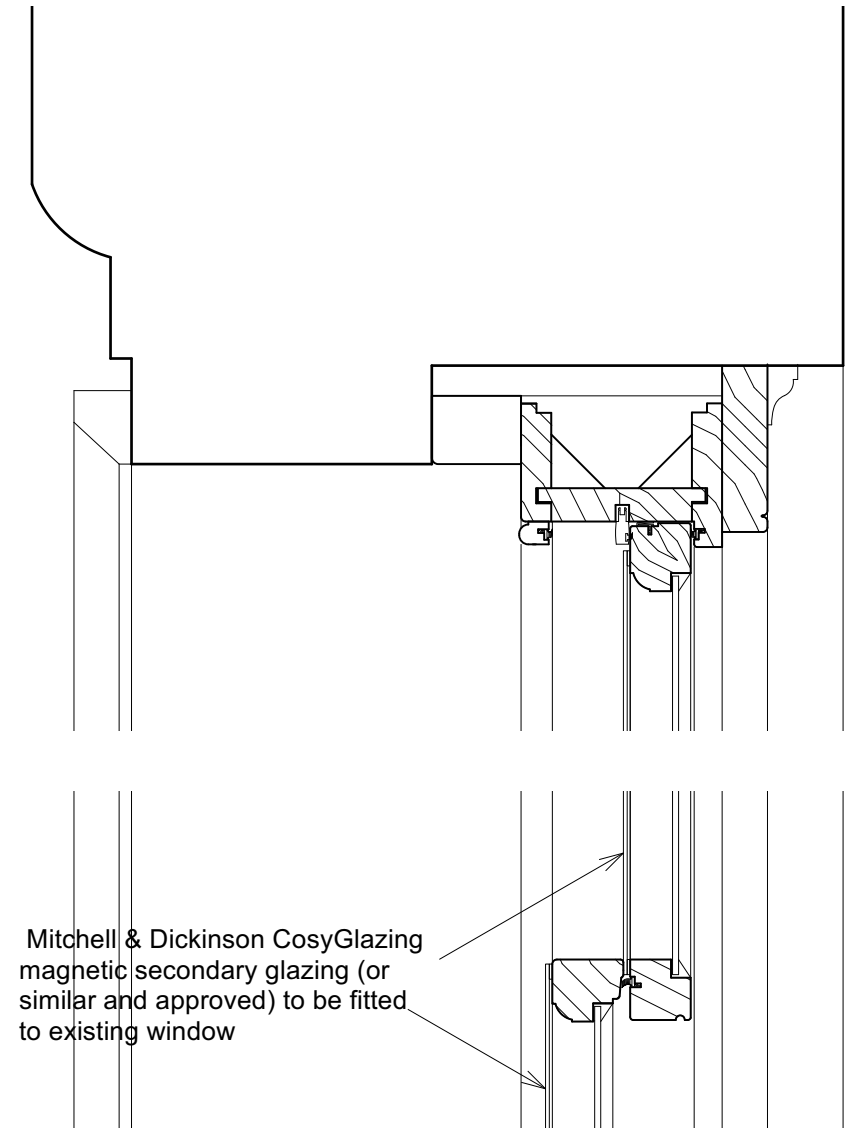


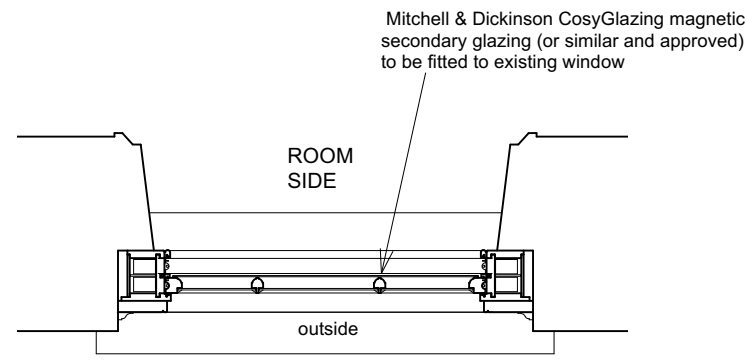
01 Front view  
C (51)004 1:20@A3



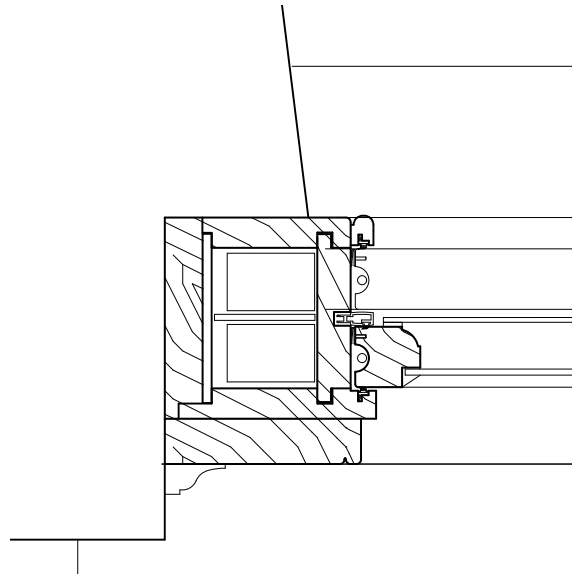
03 Section  
C (51)004 1:20@A3



05 Section detail  
C (51)004 1:5@A3



02 Plan  
C (51)004 1:20@A3



04 Jamb detail  
C (51)004 1:5@A3

Notes

Revisions

PLANNING

51 Great Ormond Street  
London, WC1N 3HZ

Details - Proposed Secondary Glazing  
Front windows

**ROGER MEARS ARCHITECTS LLP**  
Union Chapel, Compton Avenue London N1 2XD

rma@rmears.co.uk tel 020 7359 8222  
www.rmears.co.uk © Roger Mears Architects LLP

Date	Scale
05/04/2024	1:5@A3

Job No.	Dwg No.	Rev
2203	<b>C (51)004</b>	