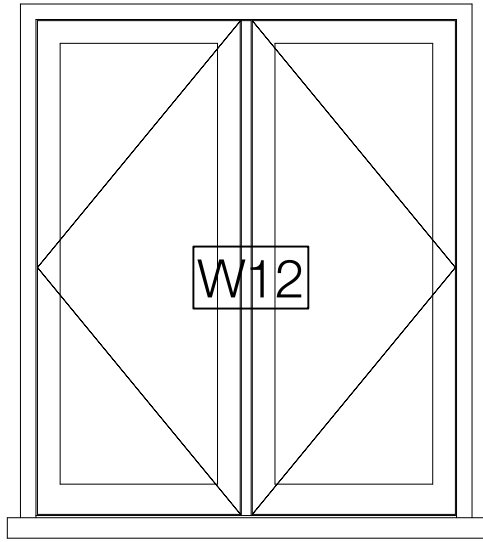
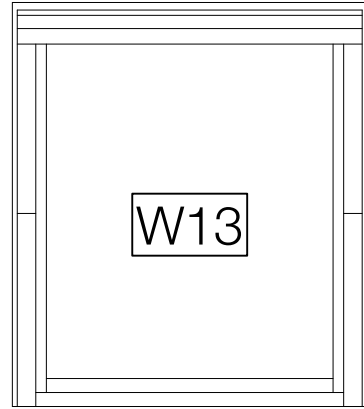


DESIGN LEAD
KASAWOO LTD
UNIT 44 SPECTRUM HOUSE
32-34 GORDON HOUSE ROAD
LONDON NW5 1LP
E: DARIUS@KASAWOO.COM
T: +44 (0) 7306 376 874
W: WWW.KASAWOO.COM

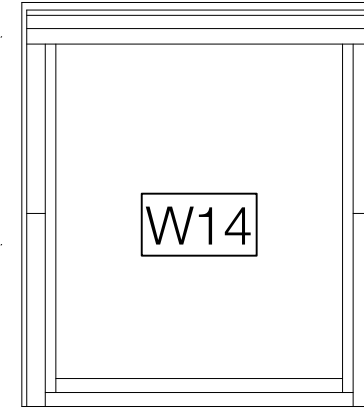
CONSULTANTS
-



NEW WINDOW by George Barnsdale



NEW WINDOW by Velux

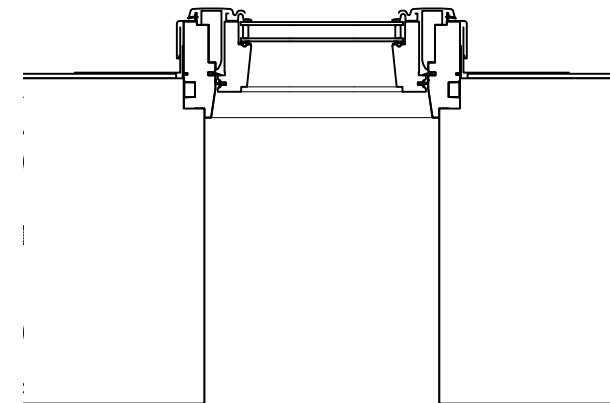
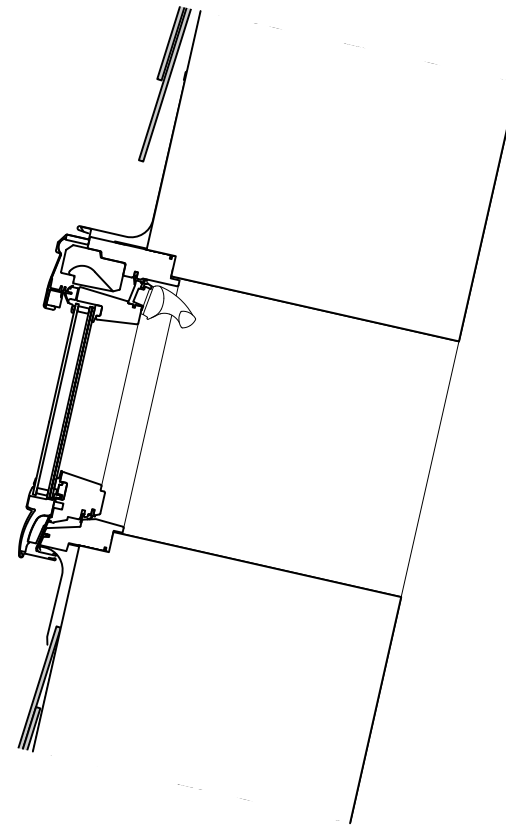
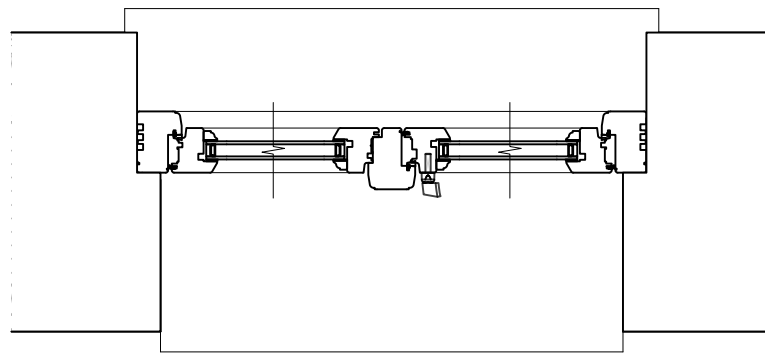
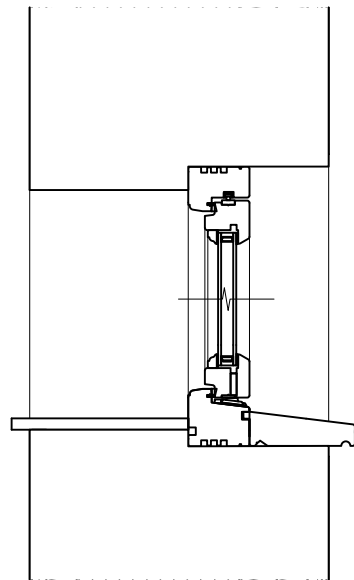


NEW WINDOW by Velux

1 **WINDOW W12 ELEVATION**
Scale: 1:20

2 **WINDOW W13 ELEVATION**
Scale: 1:20

3 **WINDOW W14 ELEVATION**
Scale: 1:20



GENERAL NOTES
To be read as part of and in conjunction with the approved Planning Application 2022/3071/P

DO NOT TAKE ANY MEASUREMENTS FROM DRAWINGS. ALL DIMENSIONS SHALL BE CHECKED AND VERIFIED BY BUILDER BEFORE PROCEEDING WITH THE WORK. REPORT ANY DISCREPANCIES TO EMPLOYER.

ISSUE	DATE
P1 Planning	1st August '24

DRAWING TITLE
**DETAILS
SHEET 6**

SCALE SEE INDIVIDUAL ELEMENTS

DATE 01.08.2024

DOCUMENT PLANNING CONDITION INFO

DRAWING NUMBER **A-505 P1**

4 **W12 SECTION**
Scale: 1:10

5 **W12 PLAN**
Scale: 1:10

6 **W13 & W14 SECTION**
Scale: 1:10

7 **W13 & W14 PLAN**
Scale: 1:10