

Extract Fans - High Temperature Applications



Versatile extract fan units, particularly suitable for higher air temperatures and resistances

- Low / high temperature
- Duty range 0.15 to 11.0 m³/s
- Low energy / high efficiency fans
- Low SFPs to achieve L2 Building Regulations
- Up to 120 °C operating temperature
- Variety of control options
- Easily cleanable in-situ



T-Line 120
TLL

Page 216

High Temperature

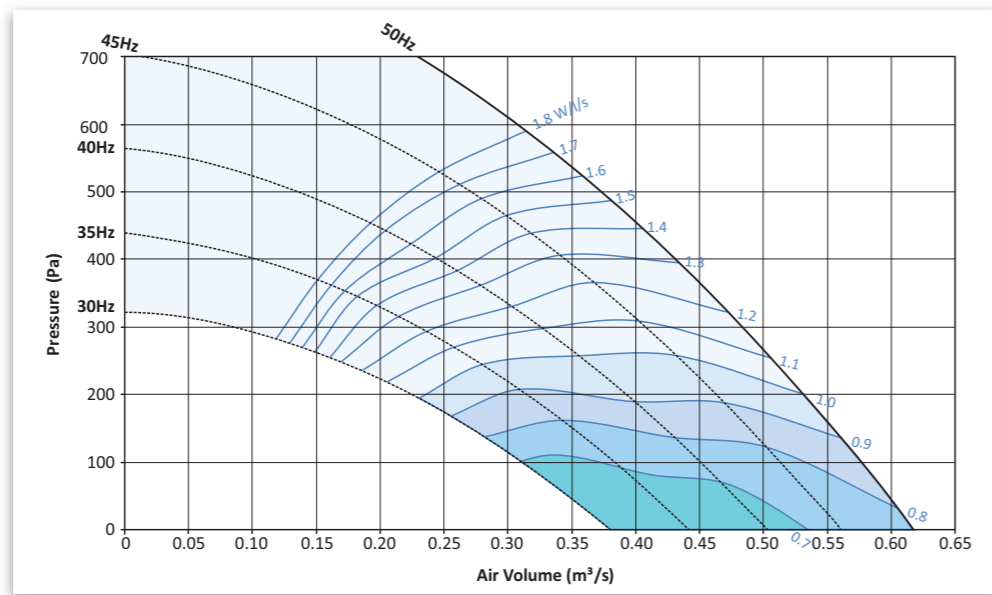
	Model	Volume* m ³ /s	NR (@ 1 m)	Noise dBA (@ 3 m)	Page
T-Line 120 TLL	TLL250/21-3	0.550	56	66	216
	TLL250/41-3	0.160	38	48	218
	TLL350/22-3	1.550	66	76	220
	TLL350/41-3	0.640	48	58	222
	TLL400/22-3	2.35	70	80	224
	TLL400/42-3	1.10	49	60	226
	TLL450/42-3	1.70	56	66	228
	TLL500/42-3	2.50	59	69	230
	TLL560/42-3	3.30	62	72	232
	TLL630/42-3	4.70	66	76	234
	TLL630/62-3	2.80	55	66	236
	TLL710/42-3	6.80	68	79	238
	TLL710/62-3	4.20	58	69	240
	TLL800/42-3	10.90	74	85	242

* Full fan speed volume at 150 Pa working pressure

Selection Data

Unit Size TLL250/21-3

A. Performance

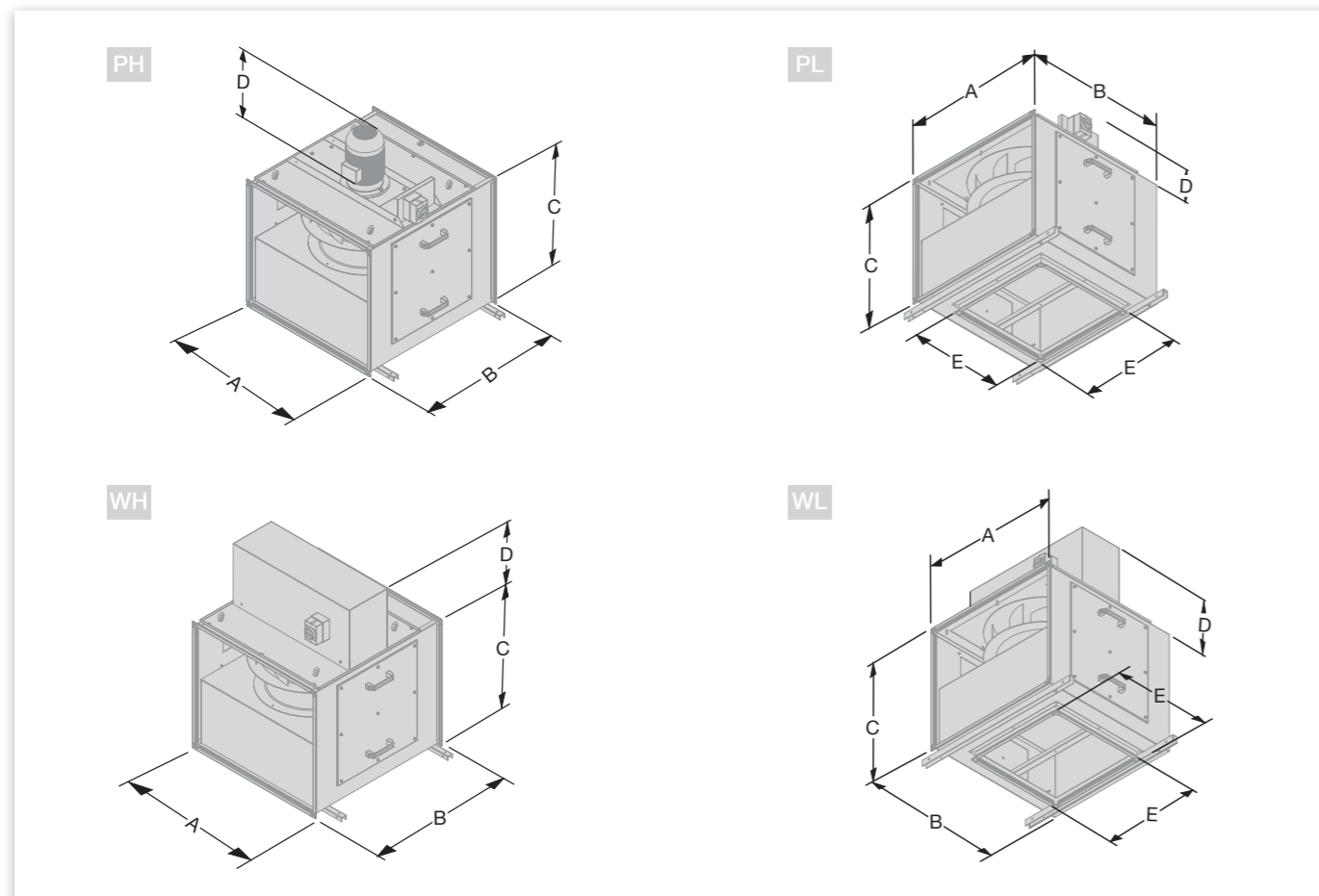


Size	Phase	Motor Power kW	Voltage Vac	Fan Speed rpm	Motor Full Load Current A	Speed Control
250	3	0.37	400	2820	1.0	Inverter

B. Configuration

Configuration

TLL250 / 21-3 / PH PL
WH WL

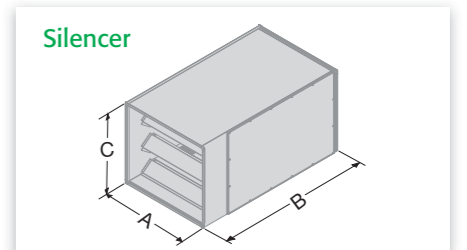


C. Sound Data and Silencer Option

Fan Speed Setting Hz	Fan Speed rpm	Sound Spectrum dB re 10 ⁻¹² W PWL Centre Frequency Hz								Casing Noise Breakout			
		63	125	250	500	1k	2k	4k	8k	NR@1m	NR@3m	dBA@1m	dBA@3m
50	2820	69	73	78	79	76	72	67	63	56	48	57	49
45	2538	66	71	76	76	73	69	64	60	54	46	55	47
40	2256	64	69	73	74	70	66	61	54	51	42	52	44
35	1974	62	66	70	70	67	62	58	54	48	39	49	41
30	1692	59	63	67	67	63	59	55	50	44	36	46	38

Centre Frequency	63	125	250	500	1k	2k	4k	8k
Case Insertion Loss	-9	-14	-21	-27	-32	-37	-43	-42

Silencer Option	Sound Spectrum dB re 10 ⁻¹² W PWL Centre Frequency Hz							
	63	125	250	500	1k	2k	4k	8k
TLLVA250/1250	63	125	250	500	1k	2k	4k	8k
Induct Loss	-4	-7	-13	-24	-28	-28	-17	-24
Dimensions mm	A		B		C		Weight kg	
	380		1250		380		40	



Note: For weatherproof and other non-standard variants please refer to silencer section of catalogue.

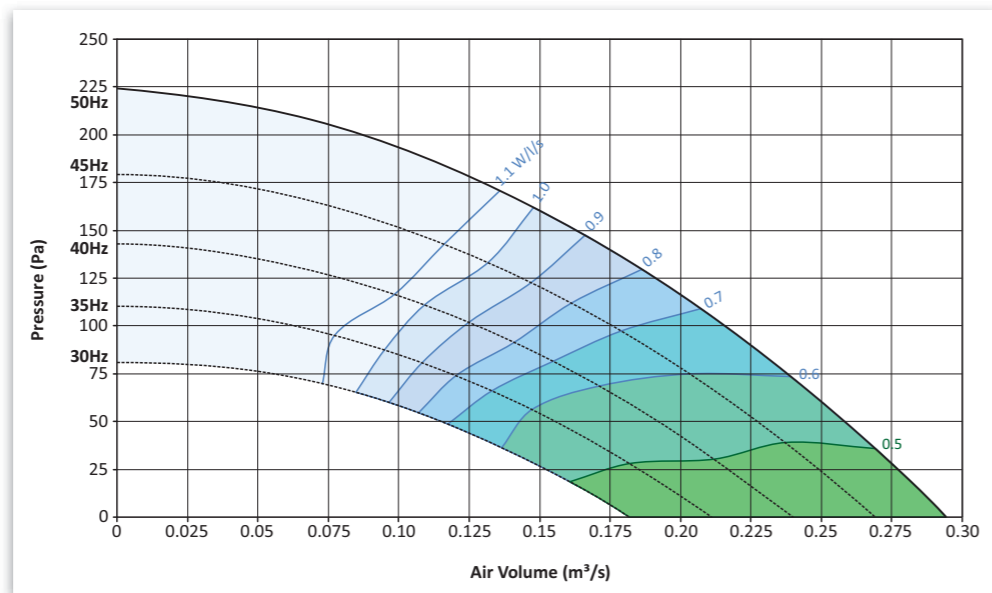
D. Dimensions

Unit Type	Dimensions mm					Weight kg
	A	B	C	D	E	
TLL250 Plantroom Horizontal Inlet and Outlet (PH)	380	480	380	215	-	30
TLL250 Plantroom Bottom Inlet, Horizontal Outlet (PL)	380	480	380	215	280	30
TLL250 Weatherproof Horizontal Inlet and Outlet (WH)	380	480	380	250	-	30
TLL250 Weatherproof Bottom Inlet, Horizontal Outlet (WL)	380	480	380	250	280	30

Selection Data

Unit Size TLL250/41-3

A. Performance

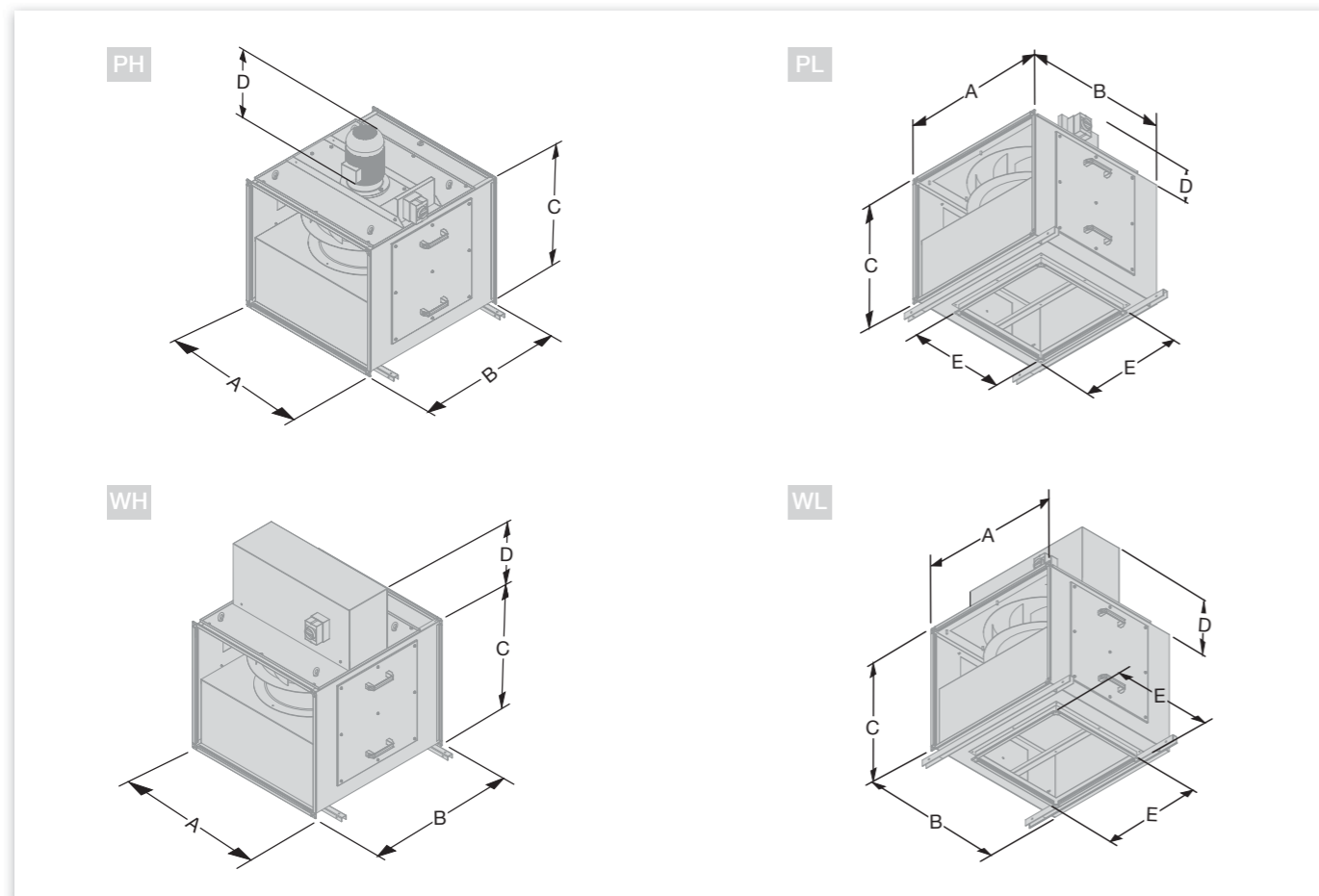


Size	Phase	Motor Power kW	Voltage Vac	Fan Speed rpm	Motor Full Load Current A	Speed Control
250	3	0.25	400	1340	0.8	Inverter

B. Configuration

Configuration

TLL250 / 41-3 / PH PL
WH WL

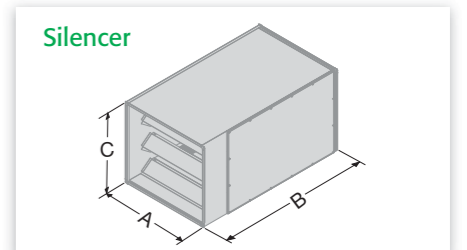


C. Sound Data and Silencer Option

Fan Speed Setting Hz	Fan Speed rpm	Sound Spectrum dB re 10 ⁻¹² W PWL Centre Frequency Hz								Casing Noise Breakout			
		63	125	250	500	1k	2k	4k	8k	NR@1m	NR@3m	dBA@1m	dBA@3m
50	1340	53	57	61	61	57	53	49	44	38	29	40	32
45	1206	50	54	58	58	54	50	46	41	35	26	37	29
40	1072	47	51	55	55	51	47	43	38	31	23	34	26
35	938	44	48	52	52	48	44	40	35	28	20	31	23
30	804	41	45	49	49	45	41	37	32	25	16	28	20

Centre Frequency	63	125	250	500	1k	2k	4k	8k
Case Insertion Loss	-9	-14	-21	-27	-32	-37	-43	-42

Silencer Option	Sound Spectrum dB re 10 ⁻¹² W PWL Centre Frequency Hz							
	63	125	250	500	1k	2k	4k	8k
TLLVA250/1250	63	125	250	500	1k	2k	4k	8k
Induct Loss	-4	-7	-13	-24	-28	-28	-17	-24
Dimensions mm	A		B		C		Weight kg	
	380		1250		380		40	



Note: For weatherproof and other non-standard variants please refer to silencer section of catalogue.

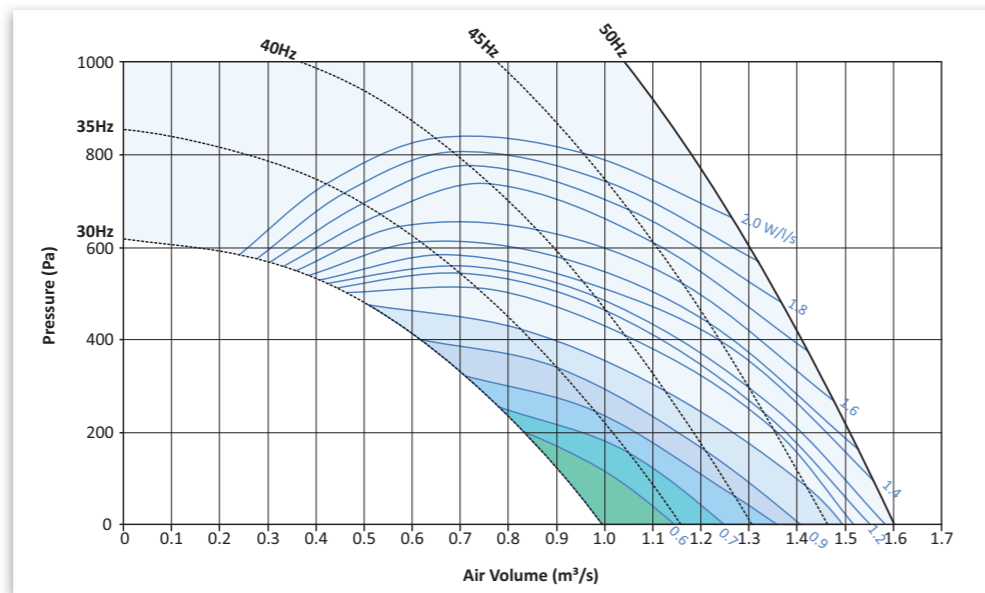
D. Dimensions

Unit Type	Dimensions mm					Weight kg
	A	B	C	D	E	
TLL250 Plantroom Horizontal Inlet and Outlet (PH)	380	480	380	215	-	30
TLL250 Plantroom Bottom Inlet, Horizontal Outlet (PL)	380	480	380	215	280	30
	A	B	C	D	E	
TLL250 Weatherproof Horizontal Inlet and Outlet (WH)	380	480	380	250	-	30
TLL250 Weatherproof Bottom Inlet, Horizontal Outlet (WL)	380	480	380	250	280	30

Selection Data

Unit Size TLL350/22-3

A. Performance

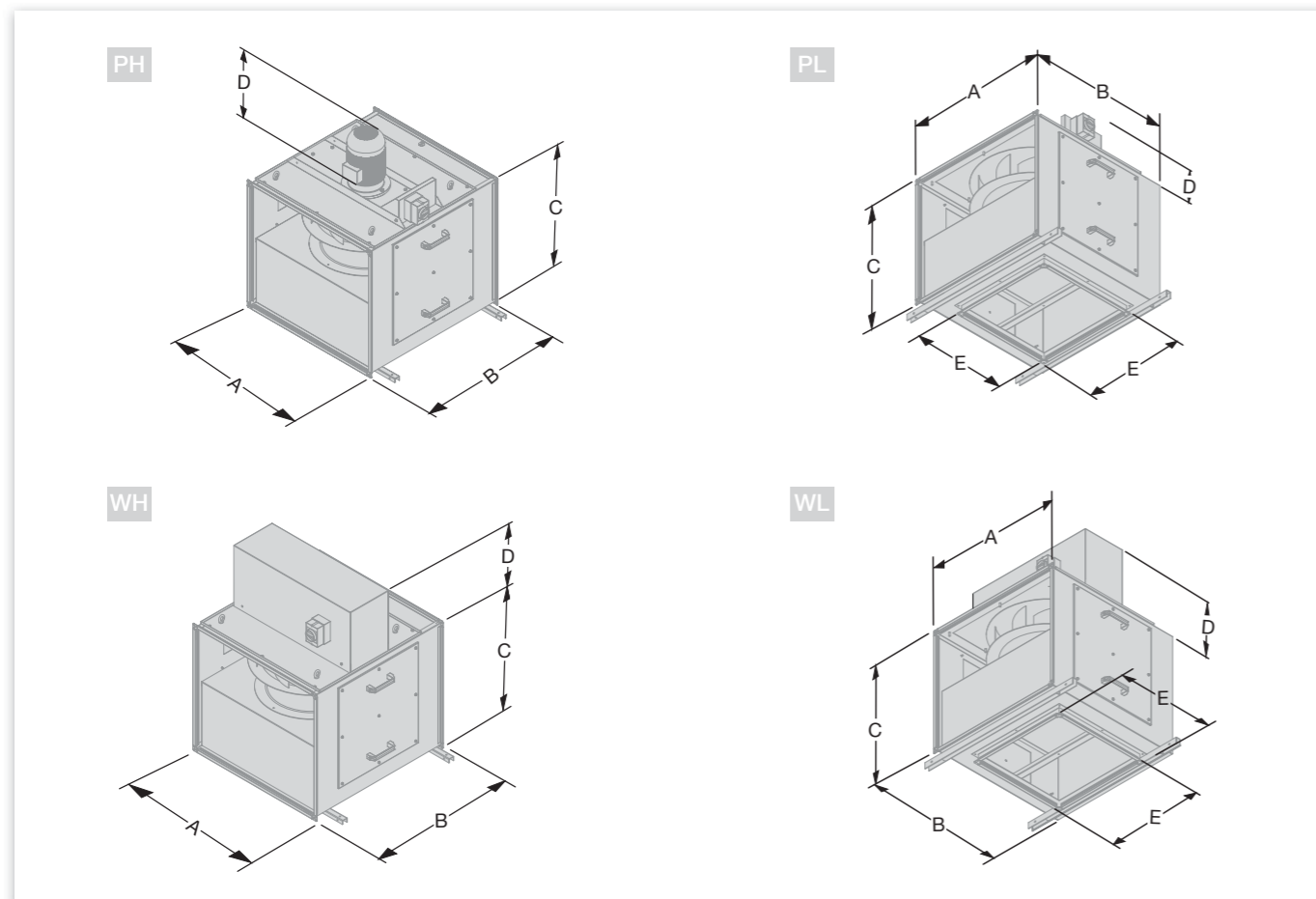


Size	Phase	Motor Power kW	Voltage Vac	Fan Speed rpm	Motor Full Load Current A	Speed Control
350	3	2.2	400	2860	4.4	Inverter

B. Configuration

Configuration

TLL350 / 22-3 / PH PL
WH WL

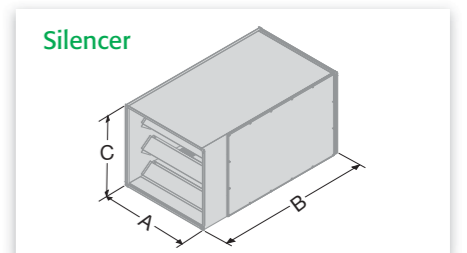


C. Sound Data and Silencer Option

Fan Speed Setting Hz	Fan Speed rpm	Sound Spectrum dB re 10 ⁻¹² W PWL Centre Frequency Hz								Casing Noise Breakout			
		63	125	250	500	1k	2k	4k	8k	NR@1m	NR@3m	dBA@1m	dBA@3m
50	2860	79	83	88	89	86	82	77	73	66	58	67	59
45	2574	77	81	86	86	83	79	75	70	64	56	64	57
40	2288	74	78	83	84	80	76	72	67	61	53	61	54
35	2002	71	76	80	80	77	72	68	64	58	49	58	51
30	1716	68	72	77	77	73	69	64	60	54	46	55	48

Centre Frequency	63	125	250	500	1k	2k	4k	8k
Case Insertion Loss	-9	-14	-21	-27	-32	-37	-43	-42

Silencer Option	Sound Spectrum dB re 10 ⁻¹² W PWL Centre Frequency Hz							
	63	125	250	500	1k	2k	4k	8k
TLLVA350/2/1250	63	125	250	500	1k	2k	4k	8k
Induct Loss	-4	-8	-14	-27	-35	-35	-26	-22
Dimensions mm	A		B		C		Weight kg	
	600		1250		600		65	



Note: For weatherproof and other non-standard variants please refer to silencer section of catalogue. Transition pieces, supplied by others, are required to connect silencers to the unit.

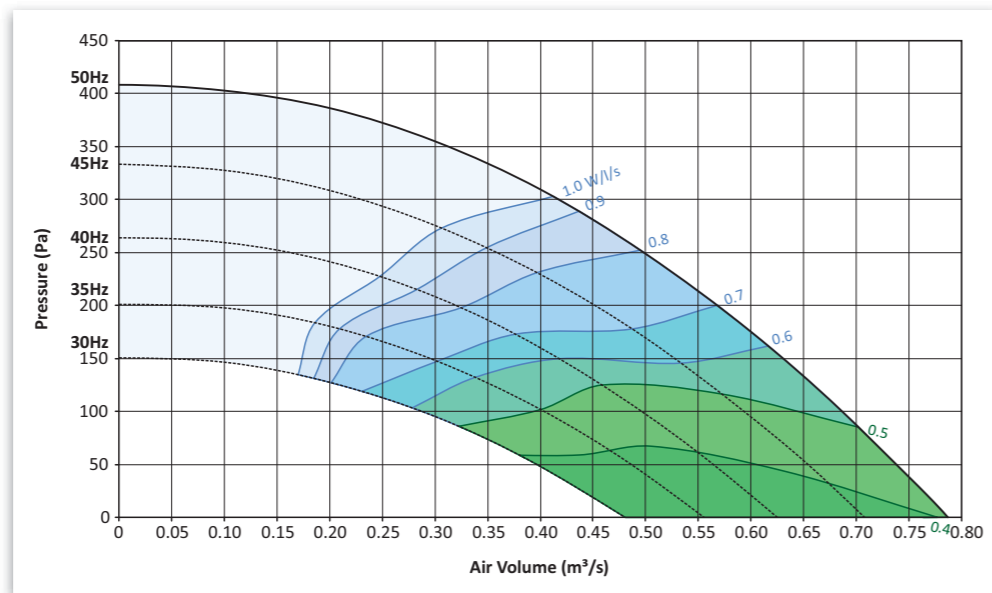
D. Dimensions

Unit Type	Dimensions mm					Weight kg
	A	B	C	D	E	
TLL350 Plantroom Horizontal Inlet and Outlet (PH)	500	600	500	267	-	50
TLL350 Plantroom Bottom Inlet, Horizontal Outlet (PL)	500	600	500	267	400	50
	A	B	C	D	E	
TLL350 Weatherproof Horizontal Inlet and Outlet (WH)	500	600	500	300	-	50
TLL350 Weatherproof Bottom Inlet, Horizontal Outlet (WL)	500	600	500	300	400	50

Selection Data

Unit Size TLL350/41-3

A. Performance

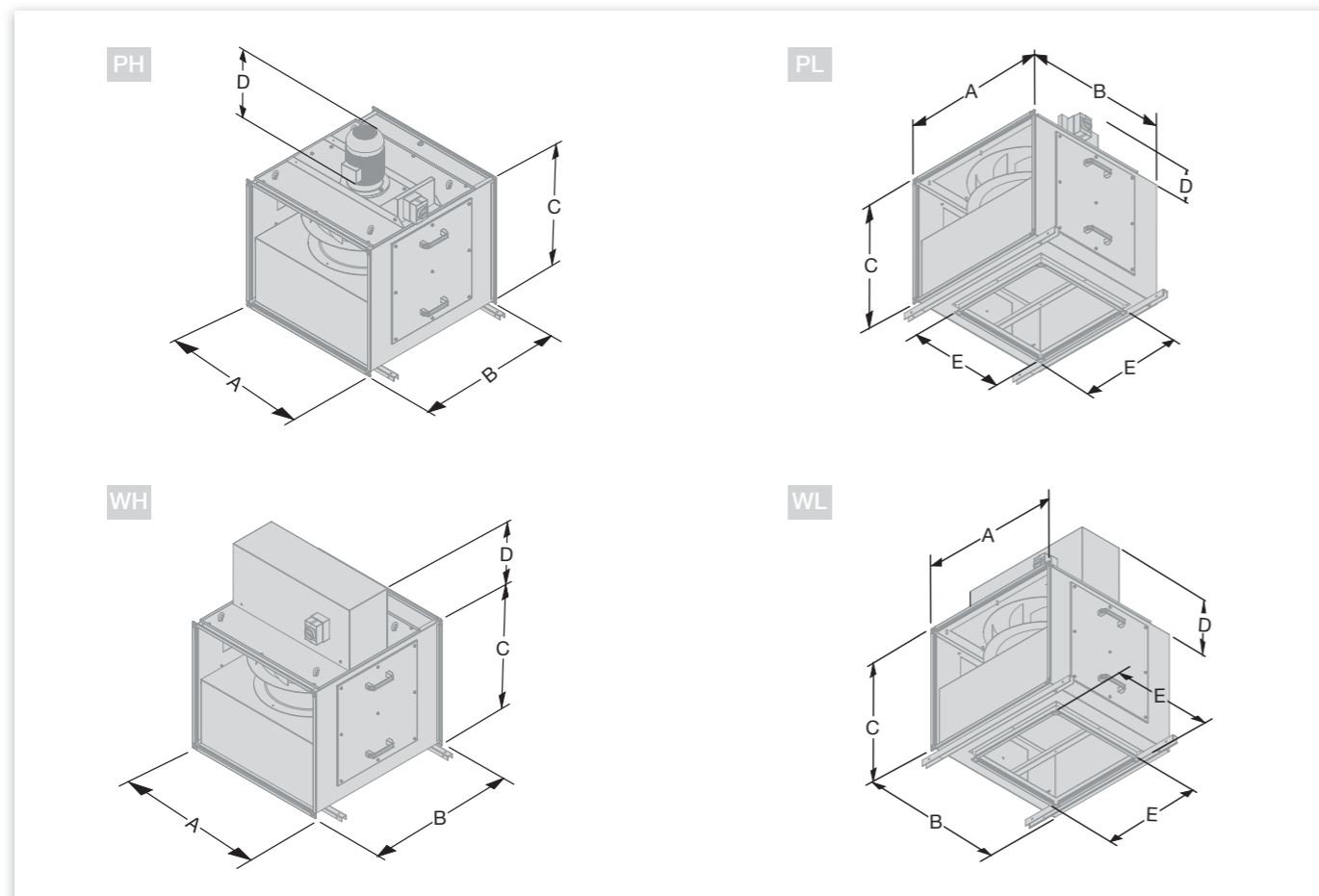


Size	Phase	Motor Power kW	Voltage Vac	Fan Speed rpm	Motor Full Load Current A	Speed Control
350	3	0.37	400	1370	1.2	Inverter

B. Configuration

Configuration

TLL350 / 41-3 / PH PL
WH WL

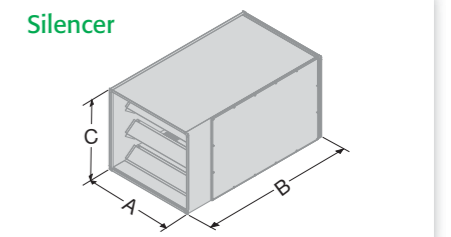


C. Sound Data and Silencer Option

Fan Speed Setting Hz	Fan Speed rpm	Sound Spectrum dB re 10 ⁻¹² W PWL Centre Frequency Hz								Casing Noise Breakout			
		63	125	250	500	1k	2k	4k	8k	NR@1m	NR@3m	dBA@1m	dBA@3m
50	1370	64	68	71	71	67	63	58	54	48	40	49	42
45	1233	61	65	69	68	64	60	55	51	46	38	47	39
40	1096	58	62	66	65	61	57	52	48	43	34	44	36
35	959	55	59	63	62	58	54	49	45	39	31	41	33
30	822	52	56	60	59	55	51	46	42	36	28	38	30

Centre Frequency	63	125	250	500	1k	2k	4k	8k
Case Insertion Loss	-9	-14	-21	-27	-32	-37	-43	-42

Silencer Option	Sound Spectrum dB re 10 ⁻¹² W PWL Centre Frequency Hz							
TLLVA350/4/1250	63	125	250	500	1k	2k	4k	8k
Induct Loss	-4	-8	-14	-27	-35	-35	-26	-22
Dimensions mm	A		B		C		Weight kg	
	500		1250		500		55	



Note: For weatherproof and other non-standard variants please refer to silencer section of catalogue.

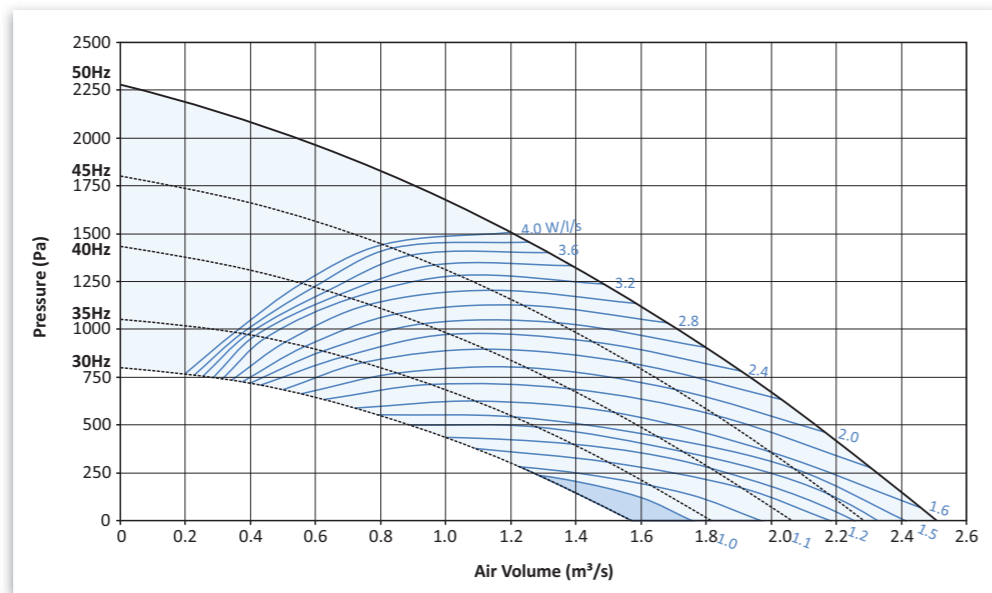
D. Dimensions

Unit Type	Dimensions mm					Weight kg
	A	B	C	D	E	
TLL350 Plantroom Horizontal Inlet and Outlet (PH)	500	600	500	267	-	50
TLL350 Plantroom Bottom Inlet, Horizontal Outlet (PL)	500	600	500	267	400	50
TLL350 Weatherproof Horizontal Inlet and Outlet (WH)	500	600	500	300	-	50
TLL350 Weatherproof Bottom Inlet, Horizontal Outlet (WL)	500	600	500	300	400	50

Selection Data

Unit Size TLL400/22-3

A. Performance

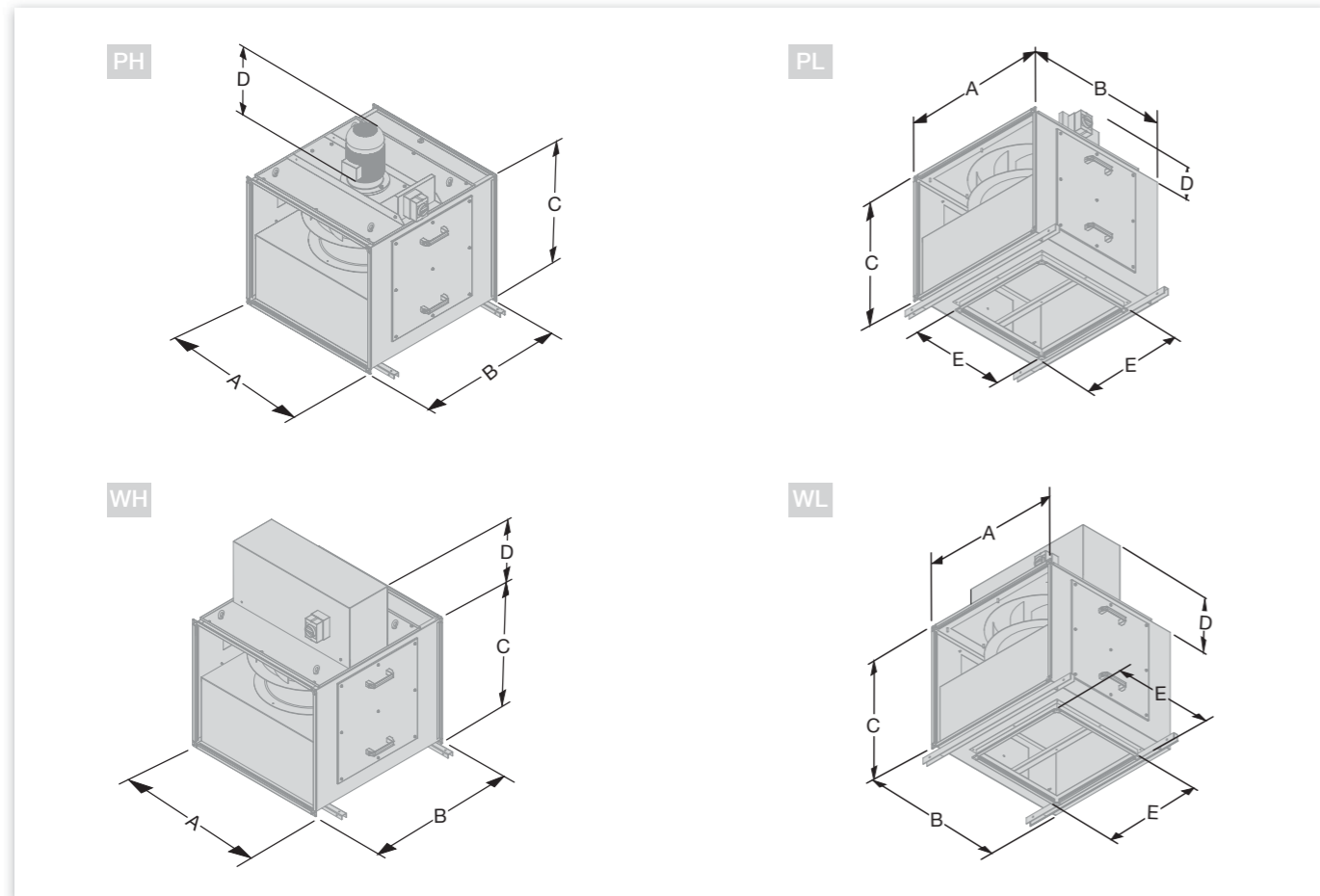


Size	Phase	Motor Power kW	Voltage Vac	Fan Speed rpm	Motor Full Load Current A	Speed Control
400	3	4	400	2940	7.6	Inverter

B. Configuration

Configuration

TLL400 / 22-3 / PH PL
WH WL

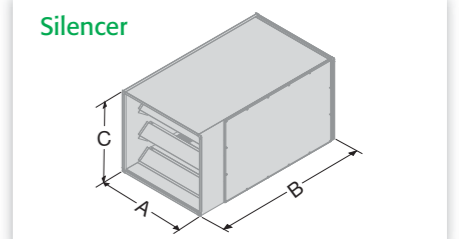


C. Sound Data and Silencer Option

Fan Speed Setting Hz	Fan Speed rpm	Sound Spectrum dB re 10 ⁻¹² W PWL Centre Frequency Hz								Casing Noise Breakout			
		63	125	250	500	1k	2k	4k	8k	NR@1m	NR@3m	dBA@1m	dBA@3m
50	2940	83	87	92	93	90	86	81	77	70	62	70	63
45	2646	80	85	90	90	87	83	79	74	68	60	68	60
40	2352	78	82	87	88	84	80	76	71	65	57	65	58
35	2058	75	80	84	84	81	77	72	68	61	53	62	54
30	1764	72	76	81	81	77	73	68	64	58	50	59	52

Centre Frequency	63	125	250	500	1k	2k	4k	8k
Case Insertion Loss	-9	-14	-21	-27	-32	-37	-43	-42

Silencer Option	Sound Spectrum dB re 10 ⁻¹² W PWL Centre Frequency Hz							
	63	125	250	500	1k	2k	4k	8k
TLLVA400/2/1500	63	125	250	500	1k	2k	4k	8k
Induct Loss	-4	-8	-17	-30	-37	-37	-27	-16
Dimensions mm	A		B		C		Weight kg	
	800		1500		800		120	



Note: For weatherproof and other non-standard variants please refer to silencer section of catalogue. Transition pieces, supplied by others, are required to connect silencers to the unit.

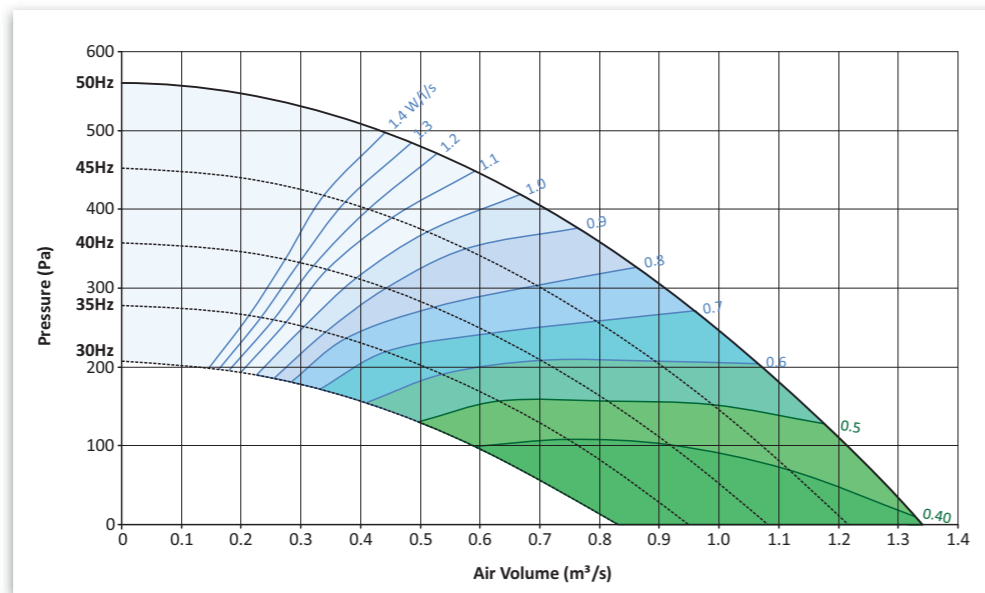
D. Dimensions

Unit Type	Dimensions mm					Weight kg
	A	B	C	D	E	
TLL400 Plantroom Horizontal Inlet and Outlet (PH)	700	700	600	328	-	70
TLL400 Plantroom Bottom Inlet, Horizontal Outlet (PL)	700	700	600	328	450	70
TLL400 Weatherproof Horizontal Inlet and Outlet (WH)	700	700	600	350	-	70
TLL400 Weatherproof Bottom Inlet, Horizontal Outlet (WL)	700	700	600	350	450	70

Selection Data

Unit Size TLL400/42-3

A. Performance

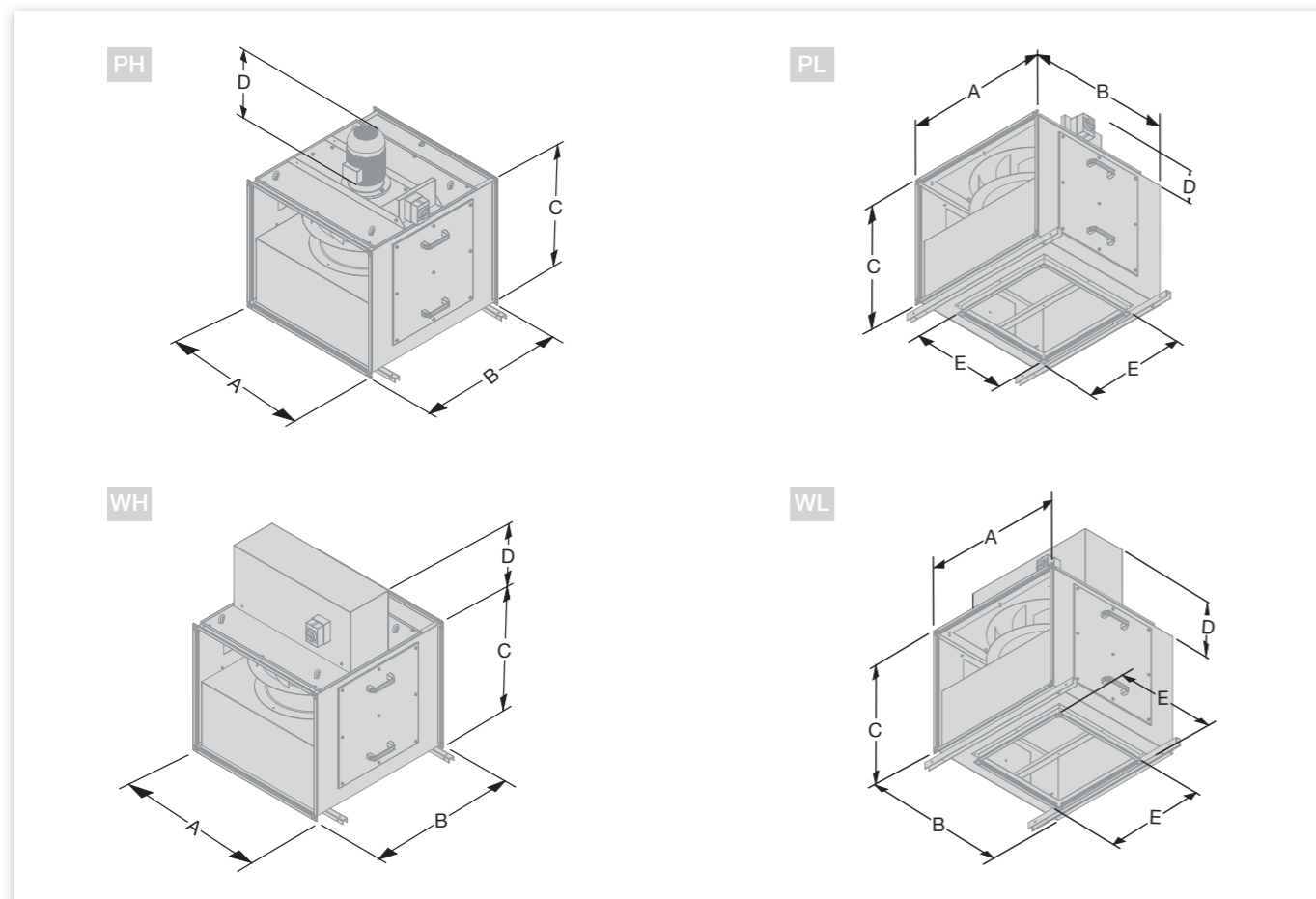


Size	Phase	Motor Power kW	Voltage Vac	Fan Speed rpm	Motor Full Load Current A	Speed Control
400	3	0.75	400	1430	1.8	Inverter

B. Configuration

Configuration

TLL400 / 42-3 / PH PL
WH WL

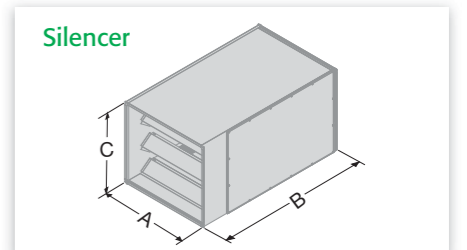


C. Sound Data and Silencer Option

Fan Speed Setting Hz	Fan Speed rpm	Sound Spectrum dB re 10 ⁻¹² W PWL Centre Frequency Hz								Casing Noise Breakout			
		63	125	250	500	1k	2k	4k	8k	NR@1m	NR@3m	dBA@1m	dBA@3m
50	1430	66	70	73	73	69	65	60	56	49	42	51	43
45	1287	64	67	71	70	66	62	58	53	47	39	48	41
40	1144	61	65	68	68	63	59	55	50	44	36	46	38
35	1001	58	62	65	65	60	56	52	47	41	33	43	35
30	858	55	59	62	62	57	53	49	44	38	30	40	32

Centre Frequency	63	125	250	500	1k	2k	4k	8k
Case Insertion Loss	-9	-14	-21	-27	-32	-37	-43	-42

Silencer Option	Sound Spectrum dB re 10 ⁻¹² W PWL Centre Frequency Hz							
	63	125	250	500	1k	2k	4k	8k
TLLVA400/4/1250	63	125	250	500	1k	2k	4k	8k
Induct Loss	-4	-8	-14	-27	-35	-35	-26	-22
Dimensions mm	A		B		C		Weight kg	
	700		1250		600		80	



Note: For weatherproof and other non-standard variants please refer to silencer section of catalogue.

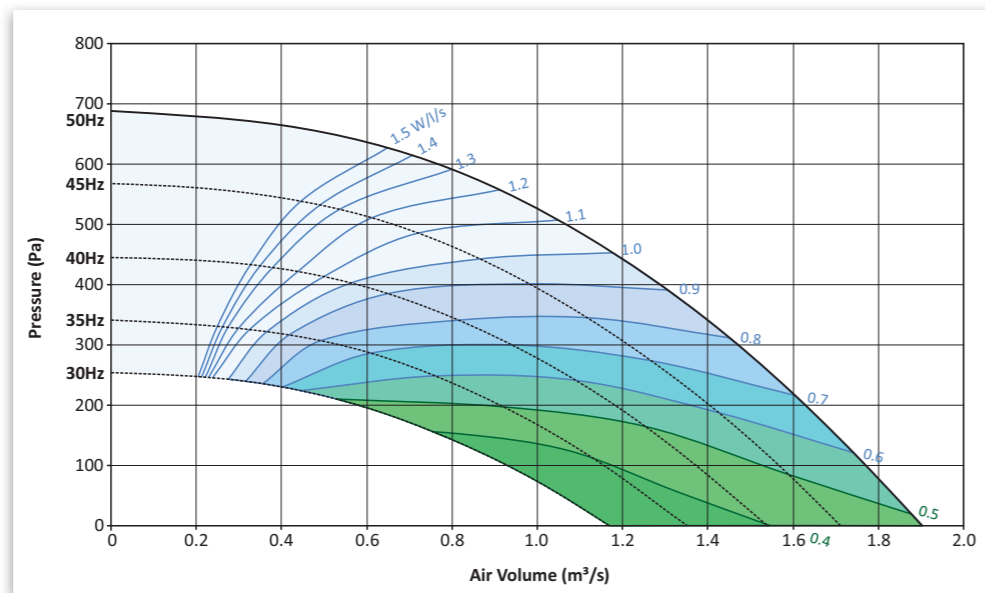
D. Dimensions

Unit Type	Dimensions mm					Weight kg
	A	B	C	D	E	
TLL400 Plantroom Horizontal Inlet and Outlet (PH)	700	700	600	328	-	70
TLL400 Plantroom Bottom Inlet, Horizontal Outlet (PL)	700	700	600	328	450	70
TLL400 Weatherproof Horizontal Inlet and Outlet (WH)	700	700	600	350	-	70
TLL400 Weatherproof Bottom Inlet, Horizontal Outlet (WL)	700	700	600	350	450	70

Selection Data

Unit Size TLL450/42-3

A. Performance

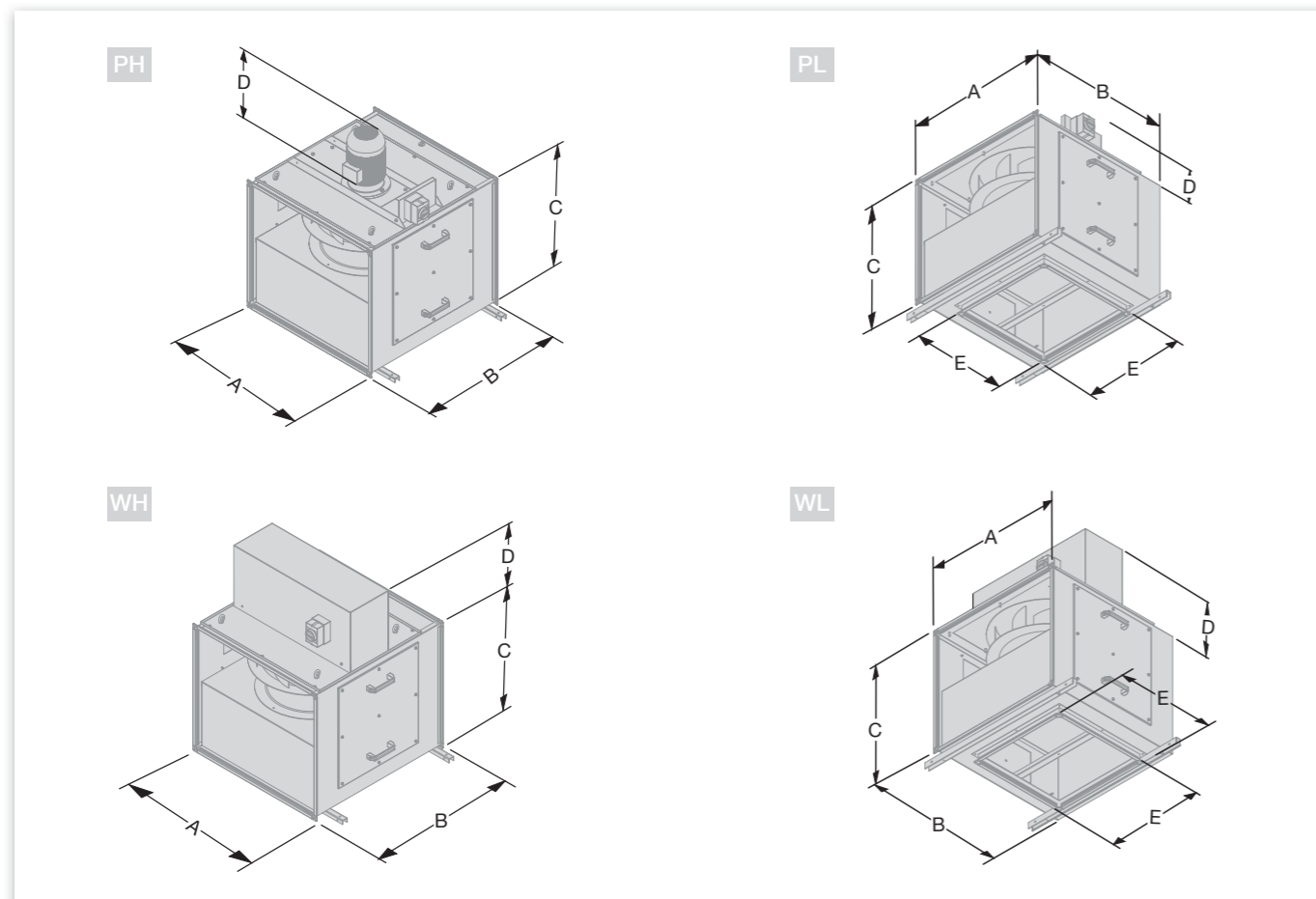


Size	Phase	Motor Power kW	Voltage Vac	Fan Speed rpm	Motor Full Load Current A	Speed Control
450	3	1.1	400	1430	2.5	Inverter

B. Configuration

Configuration

TLL450 / 42-3 / PH PL
WH WL

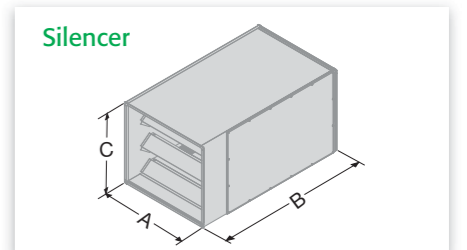


C. Sound Data and Silencer Option

Fan Speed Setting Hz	Fan Speed rpm	Sound Spectrum dB re 10 ⁻¹² W PWL Centre Frequency Hz								Casing Noise Breakout			
		63	125	250	500	1k	2k	4k	8k	NR@1m	NR@3m	dBA@1m	dBA@3m
50	1430	71	75	79	78	74	70	66	61	56	48	56	49
45	1287	69	73	76	76	72	67	63	58	53	45	54	46
40	1144	66	70	73	73	69	64	60	55	49	42	51	43
35	1001	63	67	70	70	66	61	57	52	46	38	48	40
30	858	60	64	67	67	63	58	54	49	43	35	45	37

Centre Frequency	63	125	250	500	1k	2k	4k	8k
Case Insertion Loss	-9	-14	-21	-27	-32	-37	-43	-42

Silencer Option	Sound Spectrum dB re 10 ⁻¹² W PWL Centre Frequency Hz							
TLLVA450/1500	63	125	250	500	1k	2k	4k	8k
Induct Loss	-4	-8	-17	-30	-37	-37	-27	-16
Dimensions mm	A		B		C		Weight kg	
	750		1500		600		105	



Note: For weatherproof and other non-standard variants please refer to silencer section of catalogue.

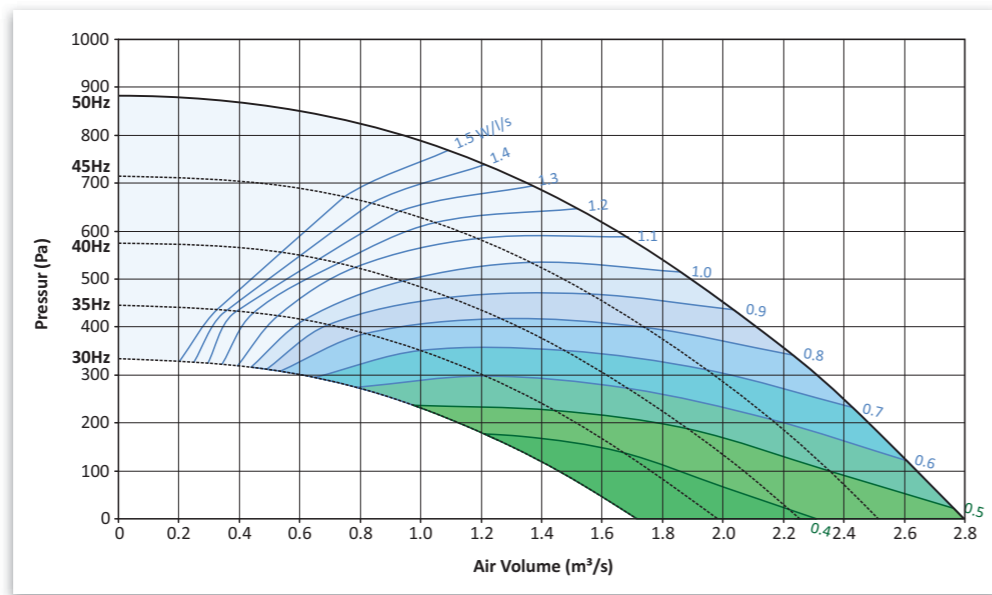
D. Dimensions

Unit Type	Dimensions mm					Weight kg
	A	B	C	D	E	
TLL450 Plantroom Horizontal Inlet and Outlet (PH)	750	700	600	267	-	95
TLL450 Plantroom Bottom Inlet, Horizontal Outlet (PL)	750	700	600	267	500	95
TLL450 Weatherproof Horizontal Inlet and Outlet (WH)	750	700	600	350	-	95
TLL450 Weatherproof Bottom Inlet, Horizontal Outlet (WL)	750	700	600	350	500	95

Selection Data

Unit Size TLL500/42-3

A. Performance

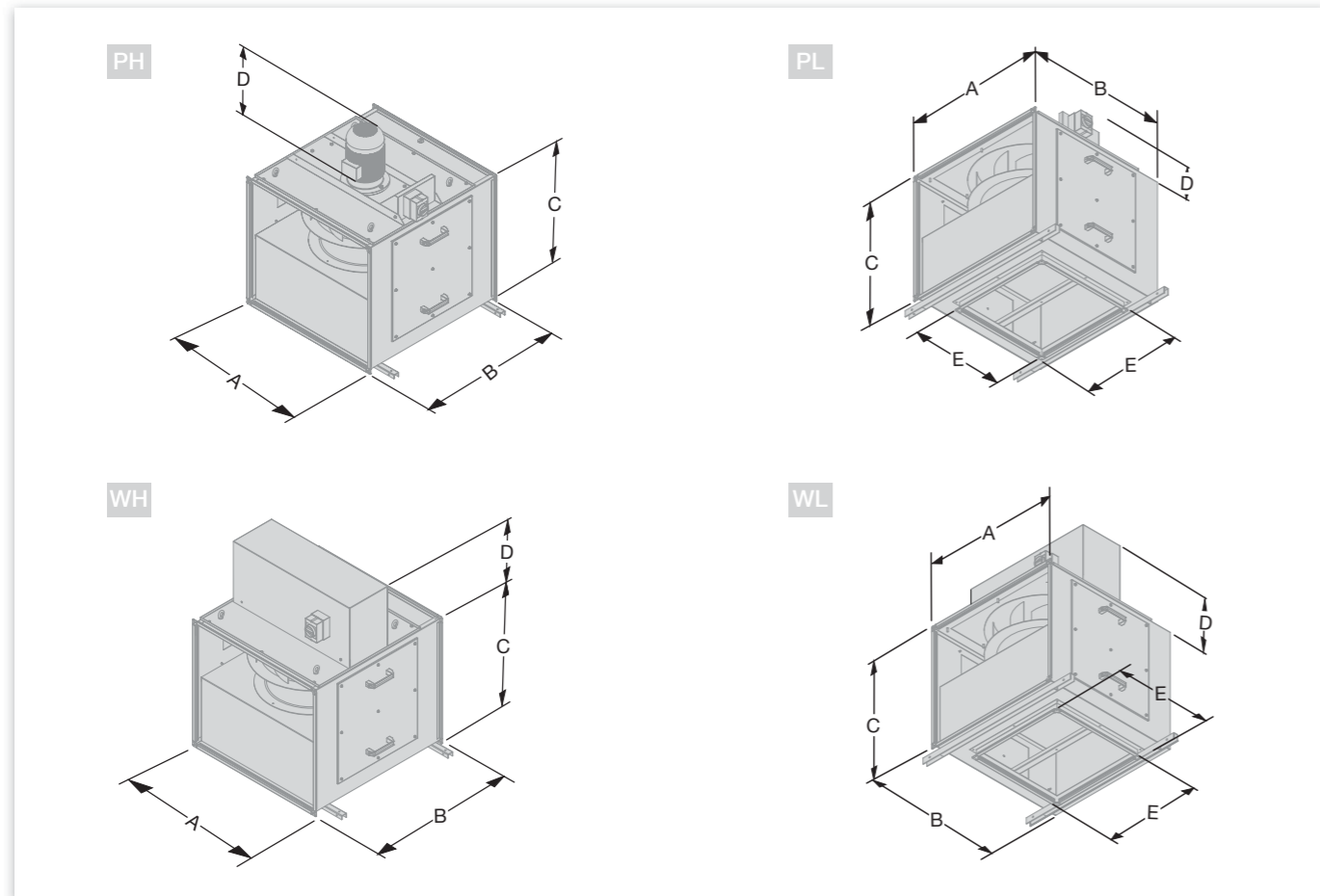


Size	Phase	Motor Power kW	Voltage Vac	Fan Speed rpm	Motor Full Load Current A	Speed Control
500	3	1.5	400	1430	3.4	Inverter

B. Configuration

Configuration

TLL500 / 42-3 / PH PL
WH WL

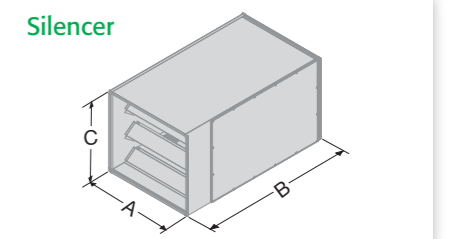


C. Sound Data and Silencer Option

Fan Speed Setting Hz	Fan Speed rpm	Sound Spectrum dB re 10 ⁻¹² W PWL Centre Frequency Hz								Casing Noise Breakout			
		63	125	250	500	1k	2k	4k	8k	NR@1m	NR@3m	dBA@1m	dBA@3m
50	1430	74	78	82	82	78	73	69	64	59	51	59	52
45	1287	72	76	79	79	75	71	66	62	56	48	56	49
40	1144	70	73	77	76	72	68	63	59	53	46	54	47
35	1001	67	70	73	73	69	64	60	55	49	42	50	43
30	858	64	67	70	70	66	61	57	52	46	38	47	40

Centre Frequency	63	125	250	500	1k	2k	4k	8k
Case Insertion Loss	-9	-14	-21	-27	-32	-37	-43	-42

Silencer Option	Sound Spectrum dB re 10 ⁻¹² W PWL Centre Frequency Hz							
	63	125	250	500	1k	2k	4k	8k
TLLVA500/1500	63	125	250	500	1k	2k	4k	8k
Induct Loss	-4	-7	-14	-24	-30	-30	-17	-10



Note: For weatherproof and other non-standard variants please refer to silencer section of catalogue.

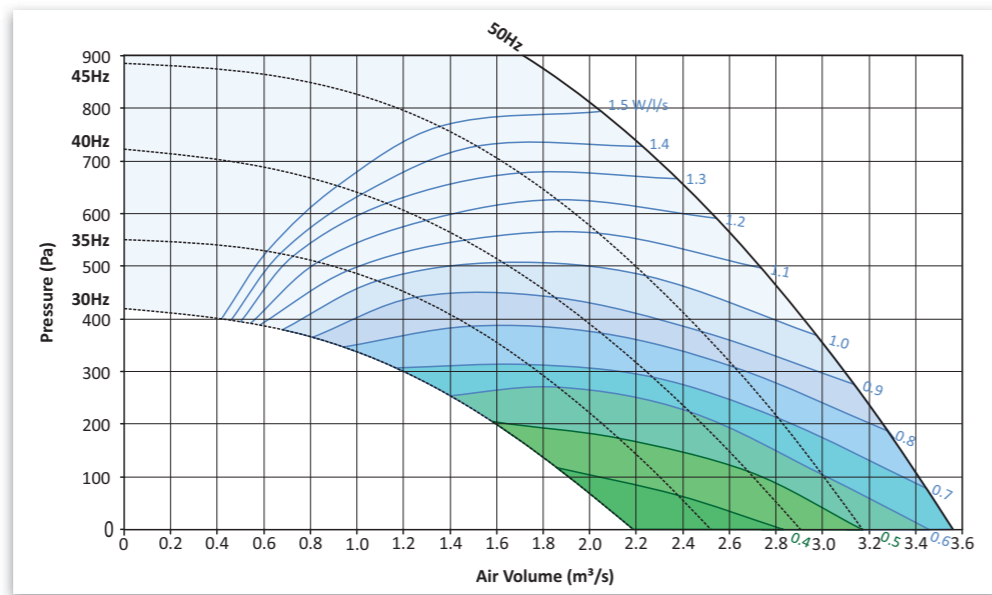
D. Dimensions

Unit Type	Dimensions mm					Weight kg
	A	B	C	D	E	
TLL500 Plantroom Horizontal Inlet and Outlet (PH)	800	800	700	267	-	105
TLL500 Plantroom Bottom Inlet, Horizontal Outlet (PL)	800	800	700	267	600	105
TLL500 Weatherproof Horizontal Inlet and Outlet (WH)	800	800	700	350	-	105
TLL500 Weatherproof Bottom Inlet, Horizontal Outlet (WL)	800	800	700	350	600	105

Selection Data

Unit Size TLL560/42-3

A. Performance

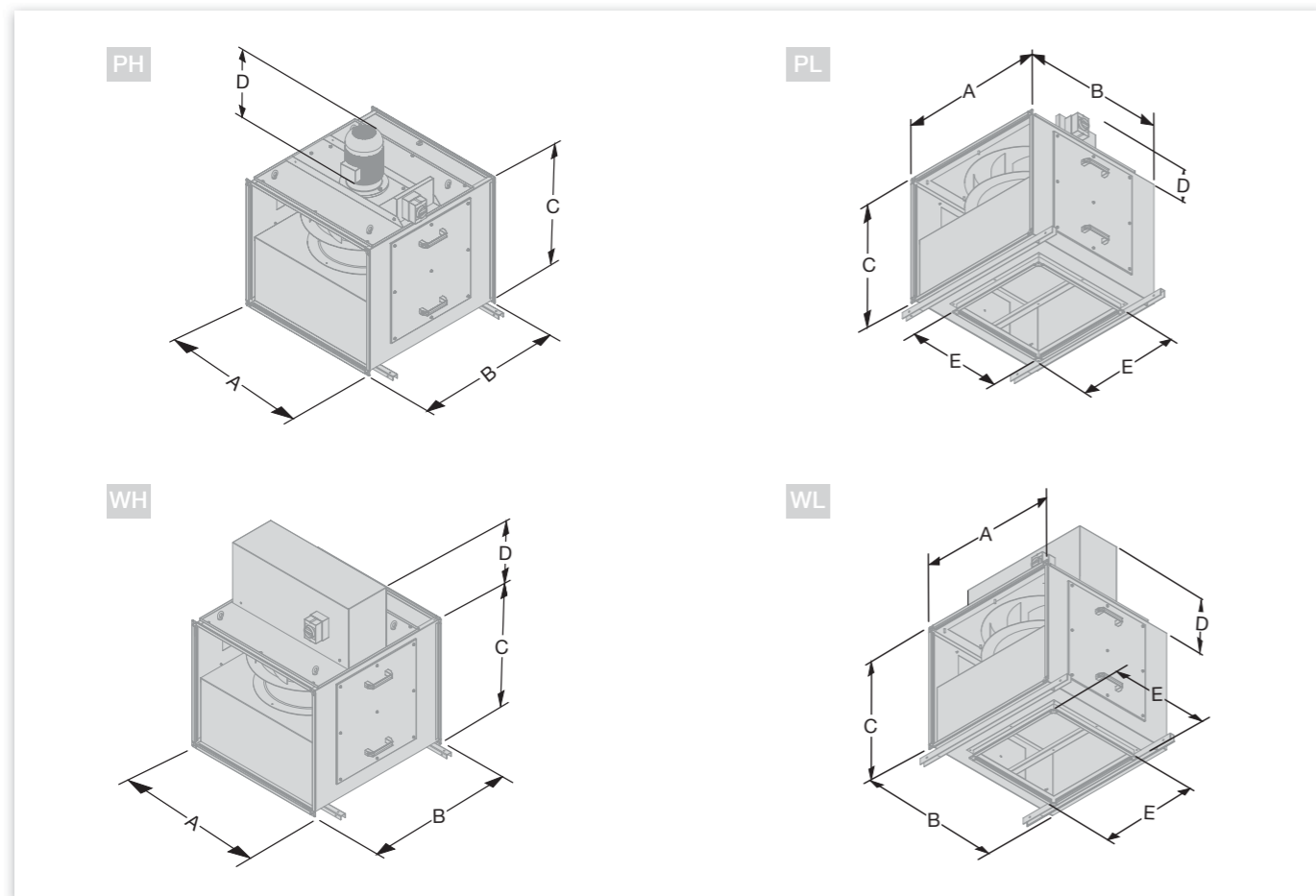


Size	Phase	Motor Power kW	Voltage Vac	Fan Speed rpm	Motor Full Load Current A	Speed Control
560	3	3.0	400	1440	6.5	Inverter

B. Configuration

Configuration

TLL560 / 42-3 / PH PL
WH WL

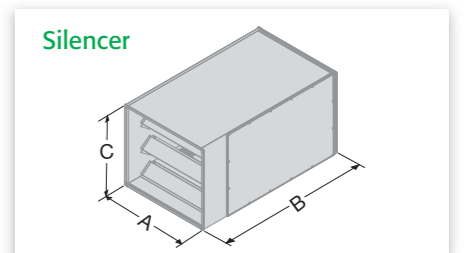


C. Sound Data and Silencer Option

Fan Speed Setting Hz	Fan Speed rpm	Sound Spectrum dB re 10 ⁻¹² W PWL Centre Frequency Hz								Casing Noise Breakout			
		63	125	250	500	1k	2k	4k	8k	NR@1m	NR@3m	dBA@1m	dBA@3m
50	1440	78	81	85	85	81	77	72	68	62	54	62	55
45	1296	75	79	83	82	78	74	70	65	60	52	60	53
40	1152	73	77	80	79	75	71	67	62	56	49	57	50
35	1008	70	74	77	76	72	68	63	59	53	46	54	47
30	864	67	70	73	72	68	64	59	55	49	41	50	43

Centre Frequency	63	125	250	500	1k	2k	4k	8k
Case Insertion Loss	-9	-14	-21	-27	-32	-37	-43	-42

Silencer Option	Sound Spectrum dB re 10 ⁻¹² W PWL Centre Frequency Hz							
	63	125	250	500	1k	2k	4k	8k
TLLVA560/1500	-4	-9	-18	-30	-40	-40	-34	-24
Induct Loss	-4	-9	-18	-30	-40	-40	-34	-24
Dimensions mm	A		B		C		Weight kg	
	850		1500		750		135	



Note: For weatherproof and other non-standard variants please refer to silencer section of catalogue.

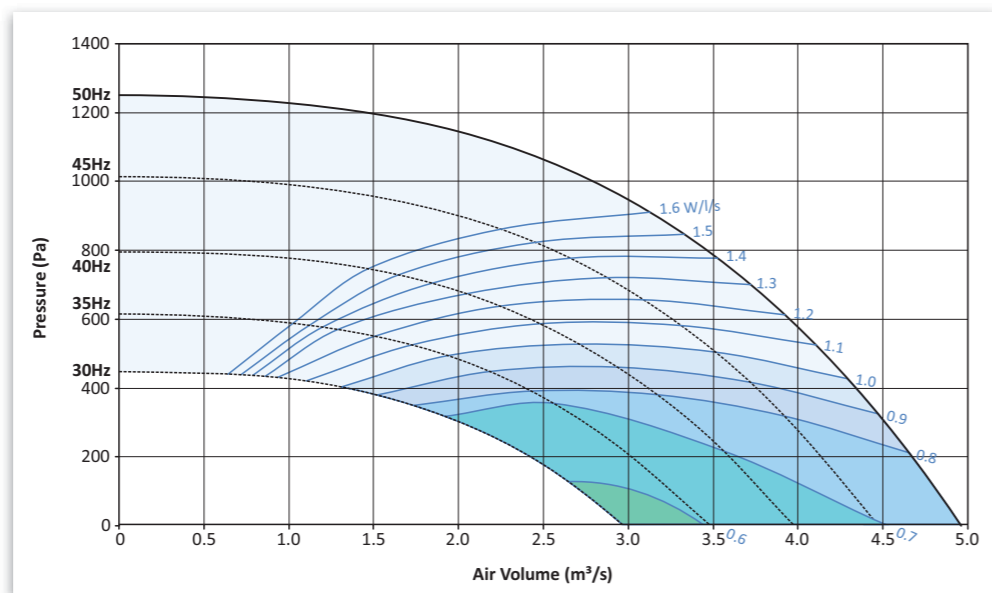
D. Dimensions

Unit Type	Dimensions mm					Weight kg
	A	B	C	D	E	
TLL560 Plantroom Horizontal Inlet and Outlet (PH)	850	900	750	306	-	130
TLL560 Plantroom Bottom Inlet, Horizontal Outlet (PL)	850	900	750	306	600	130
TLL560 Weatherproof Horizontal Inlet and Outlet (WH)	850	900	750	375	-	130
TLL560 Weatherproof Bottom Inlet, Horizontal Outlet (WL)	850	900	750	375	600	130

Selection Data

Unit Size TLL630/42-3

A. Performance

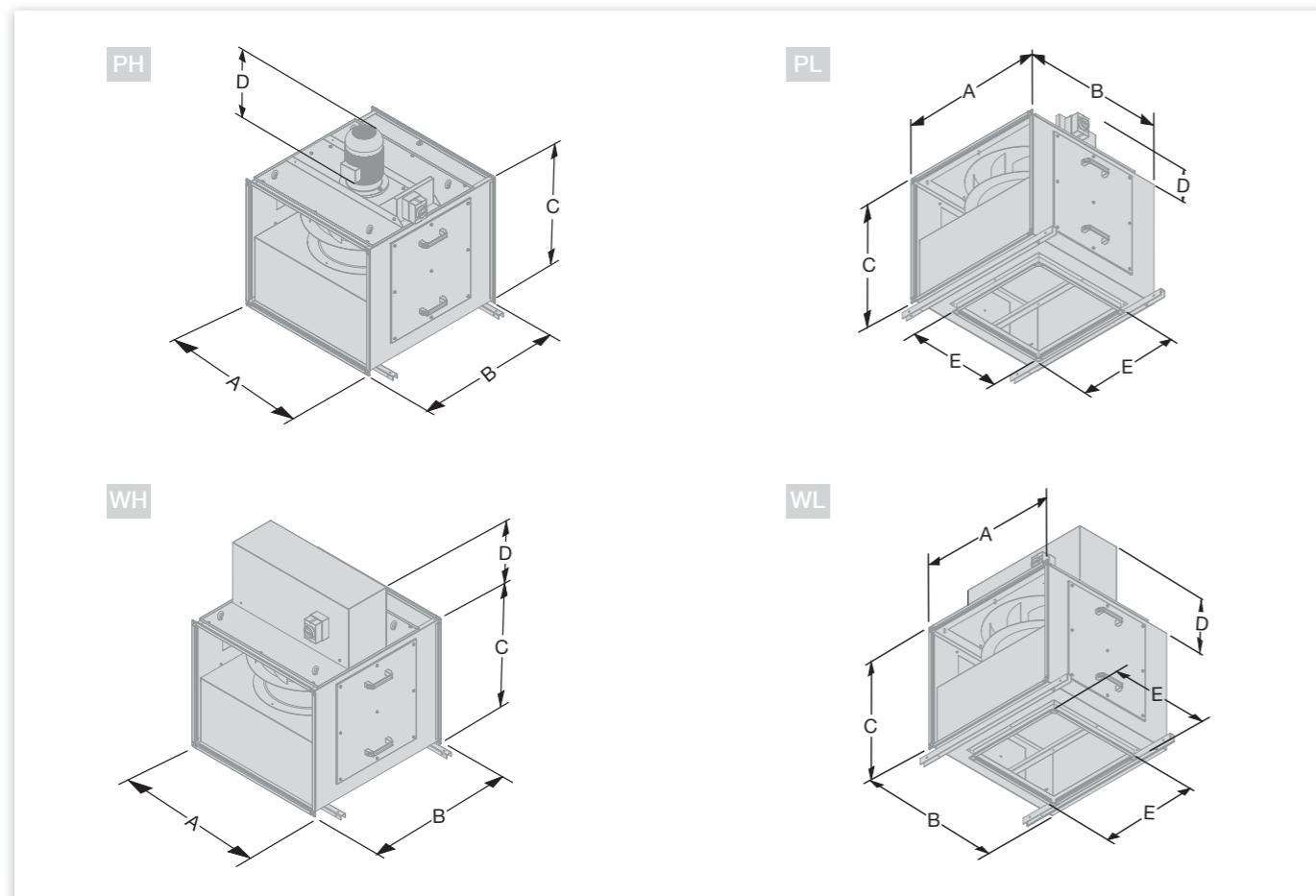


Size	Phase	Motor Power kW	Voltage Vac	Fan Speed rpm	Motor Full Load Current A	Speed Control
630	3	5.5	400	1450	10.8	Inverter

B. Configuration

Configuration

TLL630 / 42-3 / PH PL
WH WL

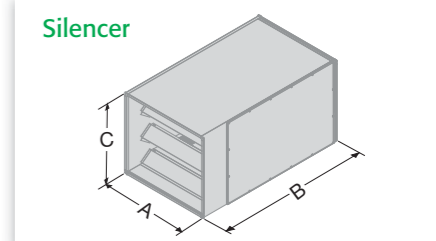


C. Sound Data and Silencer Option

Fan Speed Setting Hz	Fan Speed rpm	Sound Spectrum dB re 10 ⁻¹² W PWL Centre Frequency Hz								Casing Noise Breakout			
		63	125	250	500	1k	2k	4k	8k	NR@1m	NR@3m	dBA@1m	dBA@3m
50	1450	81	85	89	88	84	80	76	71	66	58	66	59
45	1305	79	82	86	86	82	77	73	68	63	55	63	56
40	1160	76	80	83	83	79	74	70	65	59	52	60	53
35	1015	73	77	80	79	75	71	66	62	56	49	57	50
30	870	70	73	76	75	71	67	62	58	52	45	53	46

Centre Frequency	63	125	250	500	1k	2k	4k	8k
Case Insertion Loss	-9	-14	-21	-27	-32	-37	-43	-42

Silencer Option	Sound Spectrum dB re 10 ⁻¹² W PWL Centre Frequency Hz							
	63	125	250	500	1k	2k	4k	8k
TLLVA630/4/1500	-5	-10	-20	-35	-42	-42	-36	-32
Induct Loss	-5	-10	-20	-35	-42	-42	-36	-32
Dimensions mm	A		B		C		Weight kg	
	1200		1500		1200		255	



Note: For weatherproof and other non-standard variants please refer to silencer section of catalogue. Transition pieces, supplied by others, are required to connect silencers to the unit.

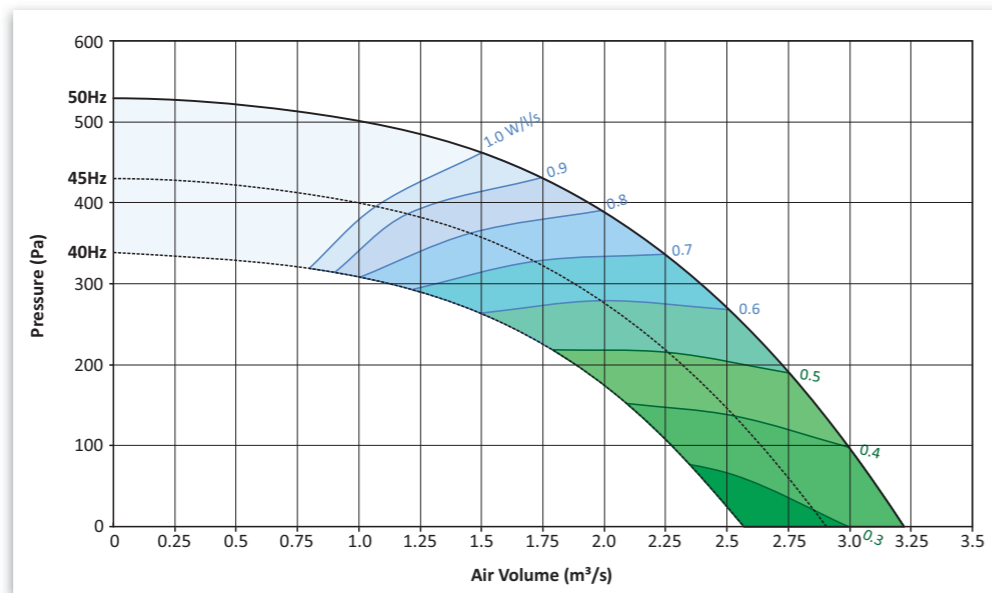
D. Dimensions

Unit Type	Dimensions mm					Weight kg
	A	B	C	D	E	
TLL630 Plantroom Horizontal Inlet and Outlet (PH)	900	900	800	420	-	200
TLL630 Plantroom Bottom Inlet, Horizontal Outlet (PL)	900	900	800	420	600	200
	A	B	C	D	E	
TLL630 Weatherproof Horizontal Inlet and Outlet (WH)	900	900	800	475	-	200
TLL630 Weatherproof Bottom Inlet, Horizontal Outlet (WL)	900	900	800	475	600	200

Selection Data

Unit Size TLL630/62-3

A. Performance

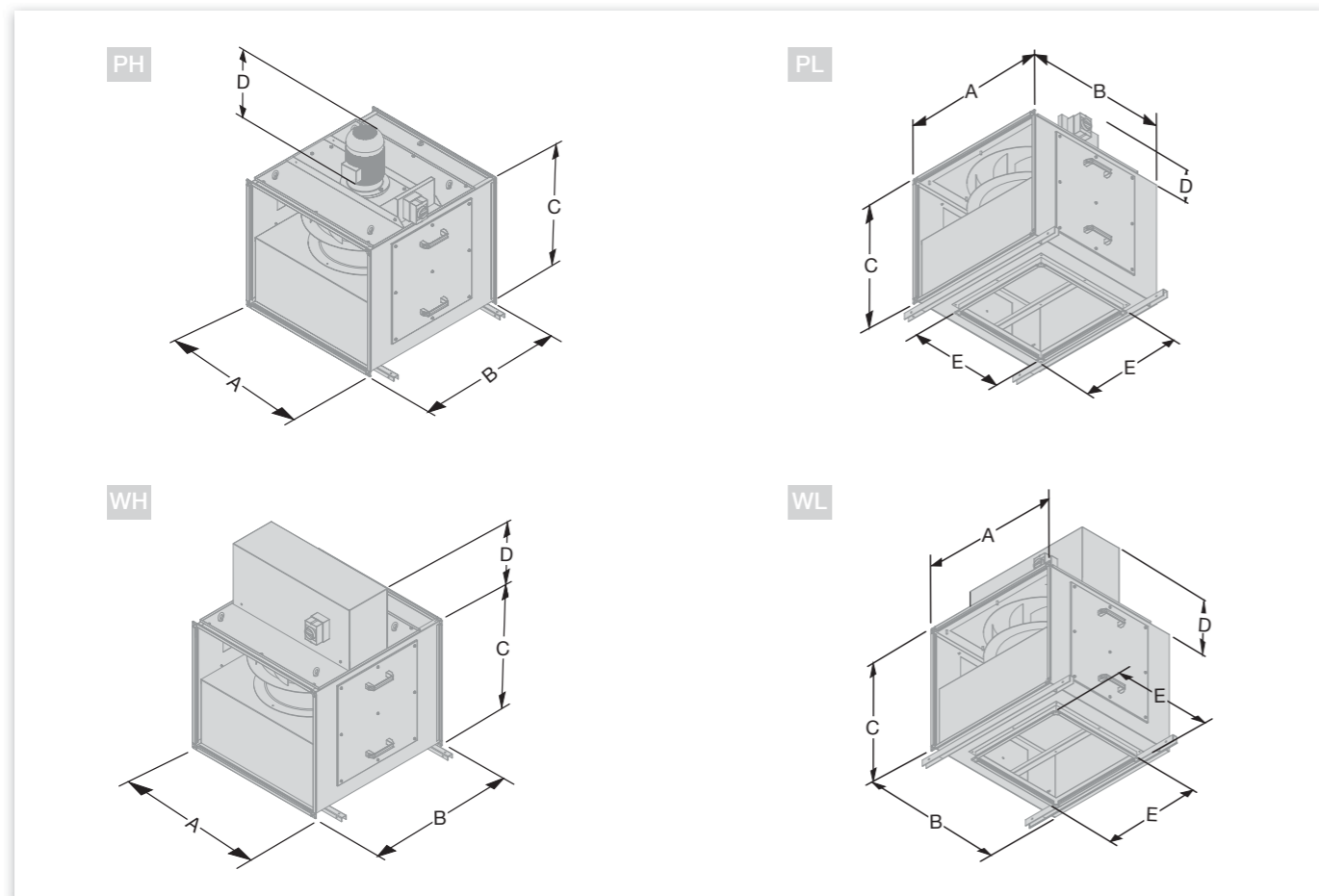


Size	Phase	Motor Power kW	Voltage Vac	Fan Speed rpm	Motor Full Load Current A	Speed Control
630	3	2.2	400	940	5.3	Inverter

B. Configuration

Configuration

TLL630 / 62-3 / PH PL
WH WL

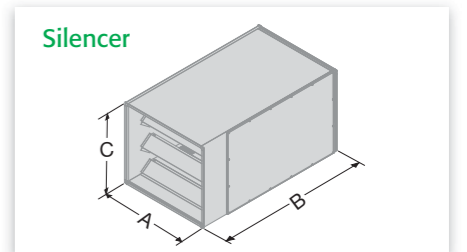


C. Sound Data and Silencer Option

Fan Speed Setting Hz	Fan Speed rpm	Sound Spectrum dB re 10 ⁻¹² W PWL Centre Frequency Hz								Casing Noise Breakout			
		63	125	250	500	1k	2k	4k	8k	NR@1m	NR@3m	dBA@1m	dBA@3m
50	940	72	75	79	78	74	69	65	60	55	48	56	49
45	846	70	73	76	75	71	67	62	58	52	45	53	46
40	752	67	70	73	72	68	63	59	54	49	41	50	43

Centre Frequency	63	125	250	500	1k	2k	4k	8k
Case Insertion Loss	-9	-14	-21	-27	-32	-37	-43	-42

Silencer Option	Sound Spectrum dB re 10 ⁻¹² W PWL Centre Frequency Hz							
TLLVA630/6/1500	63	125	250	500	1k	2k	4k	8k
Induct Loss	-4	-8	-17	-30	-37	-37	-27	-16
Dimensions mm	A		B		C		Weight kg	
	900		1500		800		145	



Note: For weatherproof and other non-standard variants please refer to silencer section of catalogue.

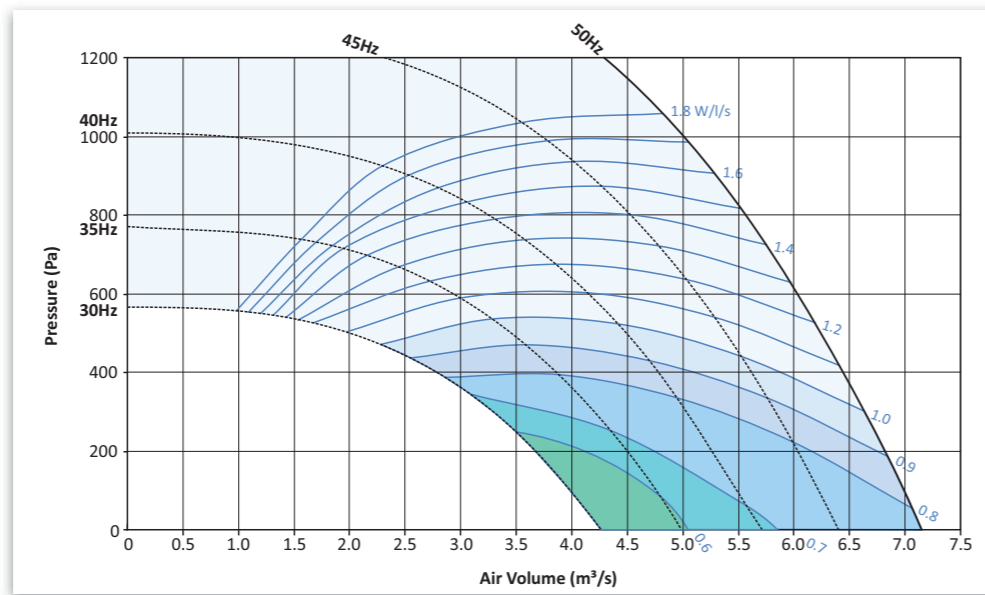
D. Dimensions

Unit Type	Dimensions mm					Weight kg
	A	B	C	D	E	
TLL630 Plantroom Horizontal Inlet and Outlet (PH)	900	900	800	420	-	200
TLL630 Plantroom Bottom Inlet, Horizontal Outlet (PL)	900	900	800	420	600	200
	A	B	C	D	E	
TLL630 Weatherproof Horizontal Inlet and Outlet (WH)	900	900	800	475	-	200
TLL630 Weatherproof Bottom Inlet, Horizontal Outlet (WL)	900	900	800	475	600	200

Selection Data

Unit Size TLL710/42-3

A. Performance

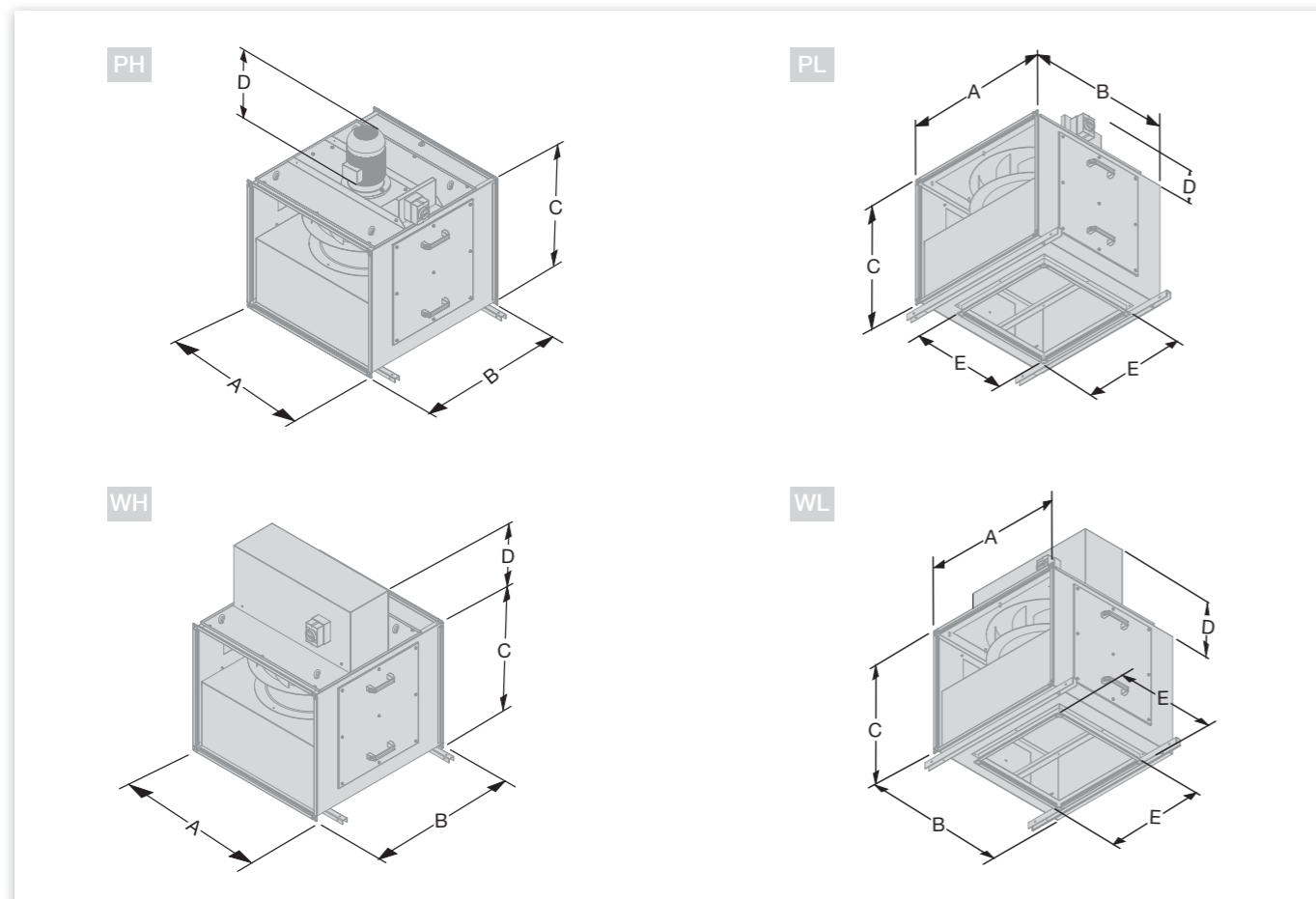


Size	Phase	Motor Power kW	Voltage Vac	Fan Speed rpm	Motor Full Load Current A	Speed Control
710	3	7.5	400	1450	14.4	Inverter

B. Configuration

Configuration

TLL710 / 42-3 / PH PL
WH WL

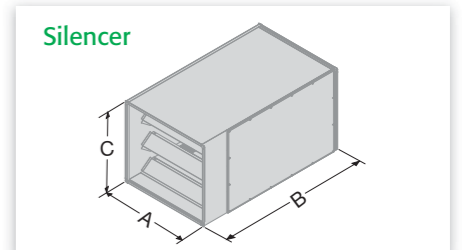


C. Sound Data and Silencer Option

Fan Speed Setting Hz	Fan Speed rpm	Sound Spectrum dB re 10 ⁻¹² W PWL Centre Frequency Hz								Casing Noise Breakout			
		63	125	250	500	1k	2k	4k	8k	NR@1m	NR@3m	dBA@1m	dBA@3m
50	1450	84	88	92	92	88	84	79	75	68	61	68	62
45	1305	82	86	90	89	85	71	76	72	66	59	66	59
40	1160	80	83	87	86	82	78	73	69	63	56	63	56
35	1015	77	80	84	83	79	74	70	65	60	53	60	53
30	870	74	77	80	79	75	70	66	61	56	49	56	50

Centre Frequency	63	125	250	500	1k	2k	4k	8k
Case Insertion Loss	-9	-14	-21	-27	-32	-37	-43	-42

Silencer Option	Sound Spectrum dB re 10 ⁻¹² W PWL Centre Frequency Hz							
	63	125	250	500	1k	2k	4k	8k
TLLVA710/4/1700	63	125	250	500	1k	2k	4k	8k
Induct Loss	-5	-9	-18	-30	-37	-37	-27	-16
Dimensions mm	A		B		C		Weight kg	
	1350		1700		1350		285	



Note: For weatherproof and other non-standard variants please refer to silencer section of catalogue. Transition pieces, supplied by others, are required to connect silencers to the unit.

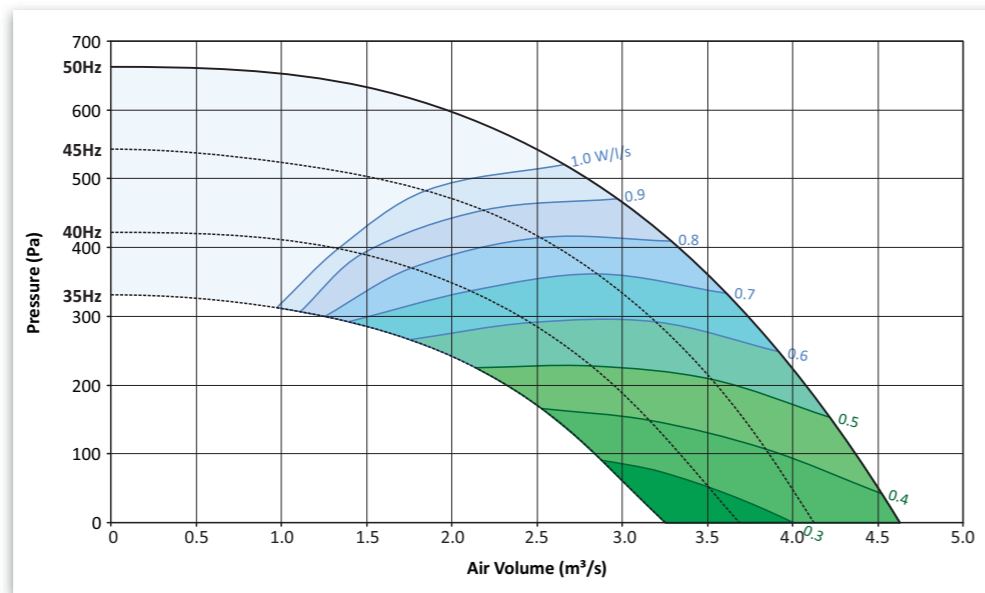
D. Dimensions

Unit Type	Dimensions mm					Weight kg
	A	B	C	D	E	
TLL710 Plantroom Horizontal Inlet and Outlet (PH)	1100	1000	1000	420	-	245
TLL710 Plantroom Bottom Inlet, Horizontal Outlet (PL)	1100	1000	1000	420	600	245
TLL710 Weatherproof Horizontal Inlet and Outlet (WH)	1100	1000	1000	475	-	245
TLL710 Weatherproof Bottom Inlet, Horizontal Outlet (WL)	1100	1000	1000	475	600	245

Selection Data

Unit Size TLL710/62-3

A. Performance

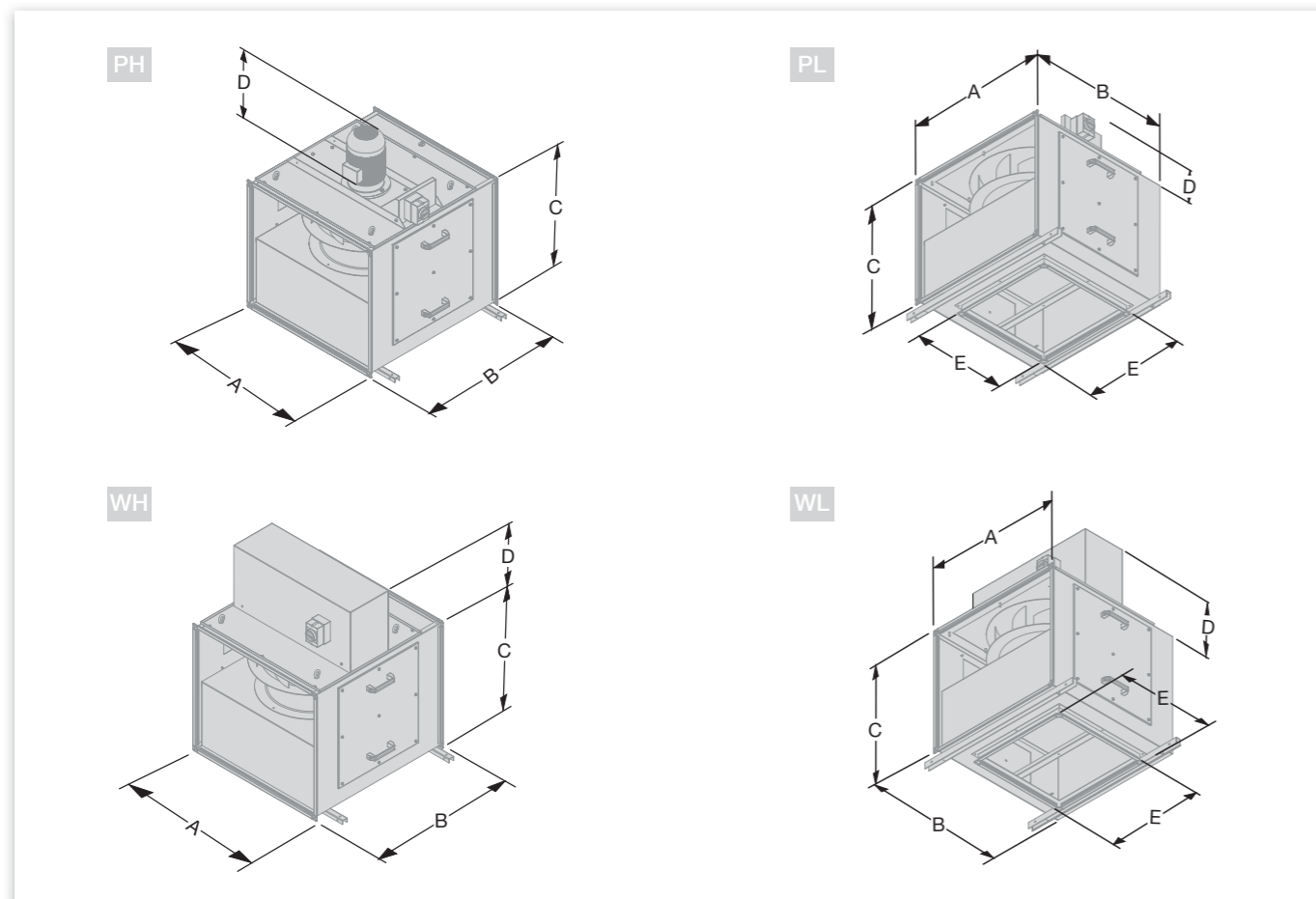


Size	Phase	Motor Power kW	Voltage Vac	Fan Speed rpm	Motor Full Load Current A	Speed Control
710	3	3.0	400	960	7.9	Inverter

B. Configuration

Configuration

TLL710 / 62-3 / PH PL
WH WL

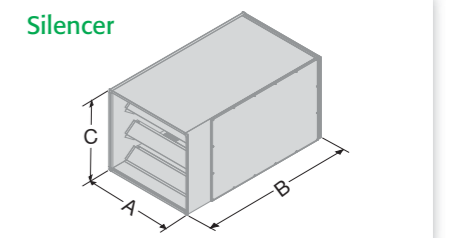


C. Sound Data and Silencer Option

Fan Speed Setting Hz	Fan Speed rpm	Sound Spectrum dB re 10 ⁻¹² W PWL Centre Frequency Hz								Casing Noise Breakout			
		63	125	250	500	1k	2k	4k	8k	NR@1m	NR@3m	dBA@1m	dBA@3m
50	950	75	79	82	81	77	73	68	64	58	51	58	52
45	855	73	76	79	78	74	70	65	61	54	48	55	49
40	760	71	74	76	76	71	67	62	58	51	44	52	46
35	665	68	70	73	72	68	63	59	54	48	41	49	43

Centre Frequency	63	125	250	500	1k	2k	4k	8k
Case Insertion Loss	-9	-14	-21	-27	-32	-37	-43	-42

Silencer Option	Sound Spectrum dB re 10 ⁻¹² W PWL Centre Frequency Hz							
	63	125	250	500	1k	2k	4k	8k
TLLVA710/6/1500	63	125	250	500	1k	2k	4k	8k
Induct Loss	-4	-5	-17	-30	-37	-37	-27	-16
Dimensions mm	A		B		C		Weight kg	
	1100		1500		1000		200	



Note: For weatherproof and other non-standard variants please refer to silencer section of catalogue.

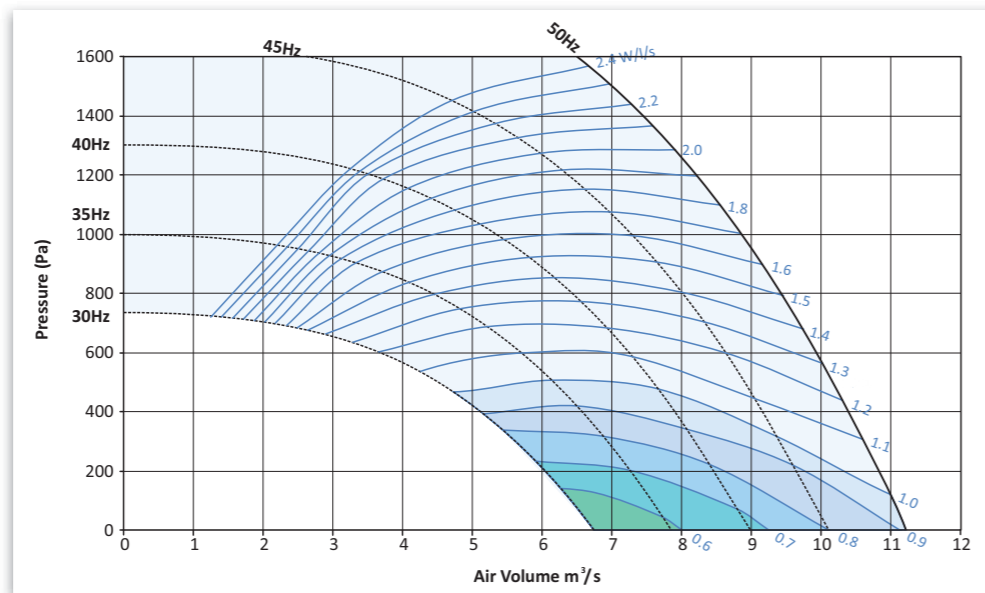
D. Dimensions

Unit Type	Dimensions mm					Weight kg
	A	B	C	D	E	
TLL710 Plantroom Horizontal Inlet and Outlet (PH)	1100	1000	1000	420	-	245
TLL710 Plantroom Bottom Inlet, Horizontal Outlet (PL)	1100	1000	1000	420	600	245
TLL710 Weatherproof Horizontal Inlet and Outlet (WH)	1100	1000	1000	475	-	245
TLL710 Weatherproof Bottom Inlet, Horizontal Outlet (WL)	1100	1000	1000	475	600	245

Selection Data

Unit Size TLL800/42-3

A. Performance

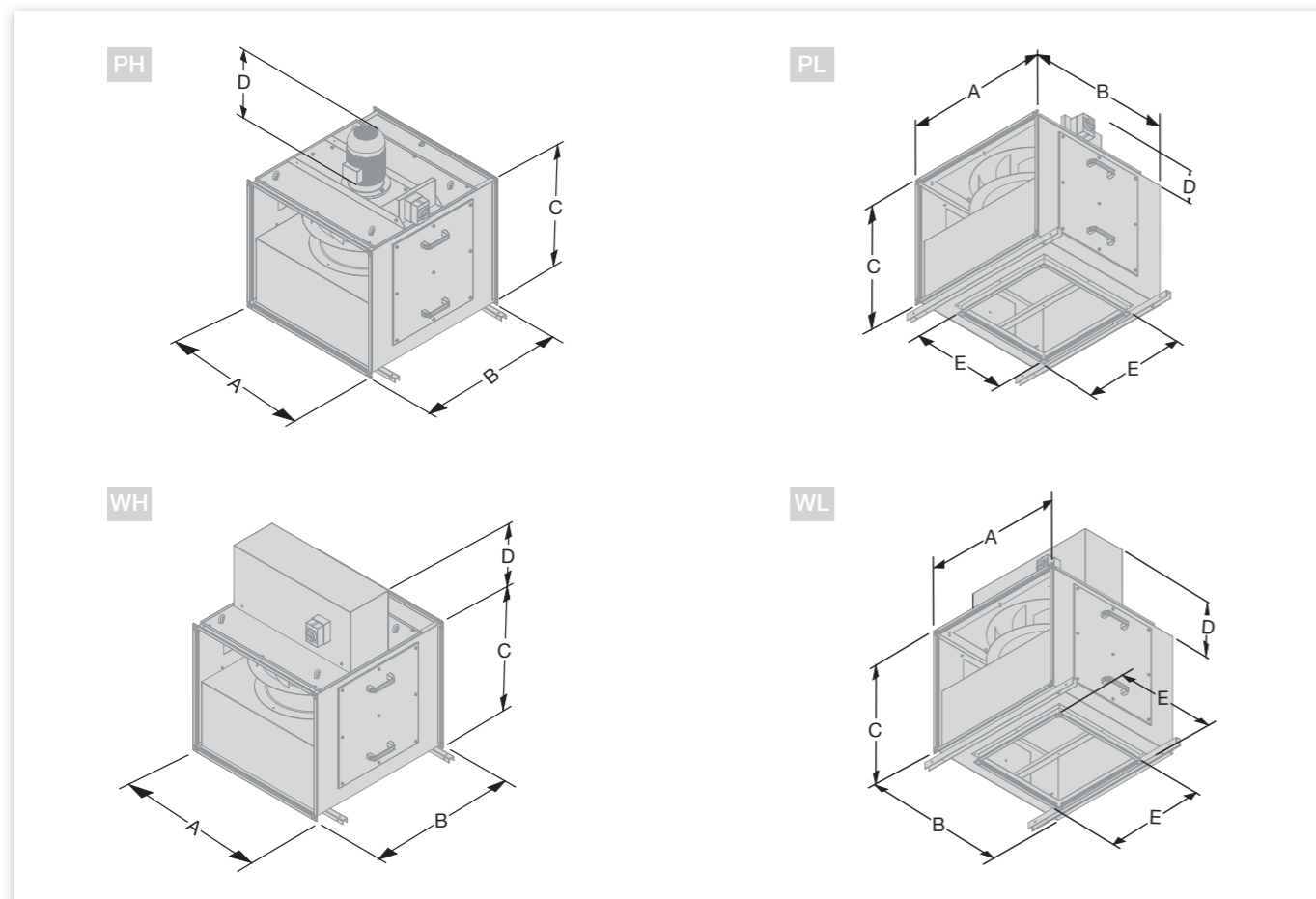


Size	Phase	Motor Power kW	Voltage Vac	Fan Speed rpm	Motor Full Load Current A	Speed Control
800	3	18.5	400	1460	35	Inverter

B. Configuration

Configuration

TLL800 / 42-3 / PH PL
WH WL

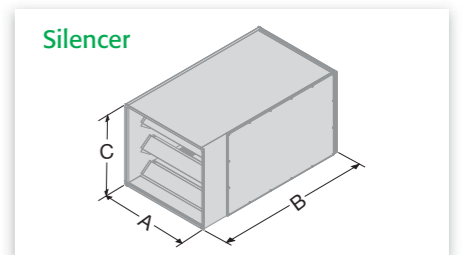


C. Sound Data and Silencer Option

Fan Speed Setting Hz	Fan Speed rpm	Sound Spectrum dB re 10 ⁻¹² W PWL Centre Frequency Hz								Casing Noise Breakout			
		63	125	250	500	1k	2k	4k	8k	NR@1m	NR@3m	dBA@1m	dBA@3m
50	1460	90	94	98	98	94	89	85	80	74	68	74	67
45	1314	88	92	95	95	91	87	82	78	71	64	71	65
40	1168	85	89	92	92	88	84	79	75	68	61	68	62
35	1022	83	86	89	89	84	80	76	71	65	58	65	59
30	876	79	82	86	85	80	76	72	67	61	55	61	55

Centre Frequency	63	125	250	500	1k	2k	4k	8k
Case Insertion Loss	-10	-15	-22	-30	-35	-41	-44	-41

Silencer Option	Sound Spectrum dB re 10 ⁻¹² W PWL Centre Frequency Hz							
TLLVA800/2200	63	125	250	500	1k	2k	4k	8k
Induct Loss	-6	-10	-21	-34	-40	-40	-30	-18
Dimensions mm	A		B		C		Weight kg	
	1500		2200		1500		450	



Note: For weatherproof and other non-standard variants please refer to silencer section of catalogue. Transition pieces, supplied by others, are required to connect silencers to the unit.

D. Dimensions

Unit Type	Dimensions mm					Weight kg
	A	B	C	D	E	
TLL800 Plantroom Horizontal Inlet and Outlet (PH)	1250	1150	1050	602	-	470
TLL800 Plantroom Bottom Inlet, Horizontal Outlet (PL)	1250	1150	1050	602	825	470
	A	B	C	D	E	
TLL800 Weatherproof Horizontal Inlet and Outlet (WH)	1250	1150	1050	675	-	470
TLL800 Weatherproof Bottom Inlet, Horizontal Outlet (WL)	1250	1150	1050	675	825	470