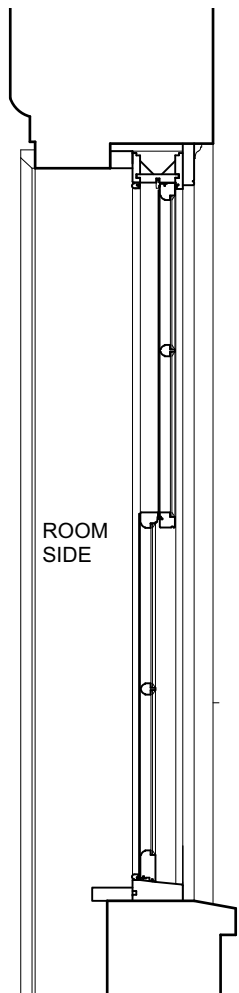


external view

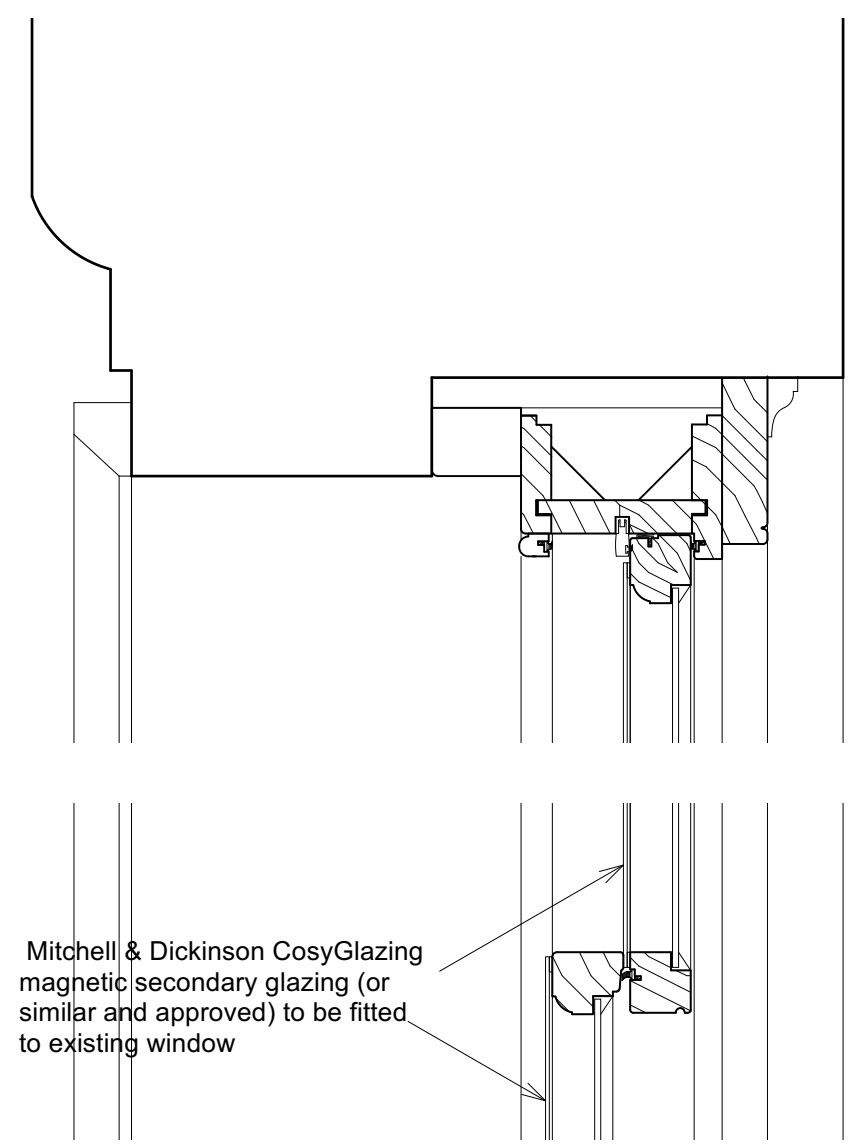
NOTE  
Configuration varies according to  
location/window type:  
4 over 4 @ First floor  
2 over 2 @ Second floor

01 Front view  
C (45)004 1:20@A3

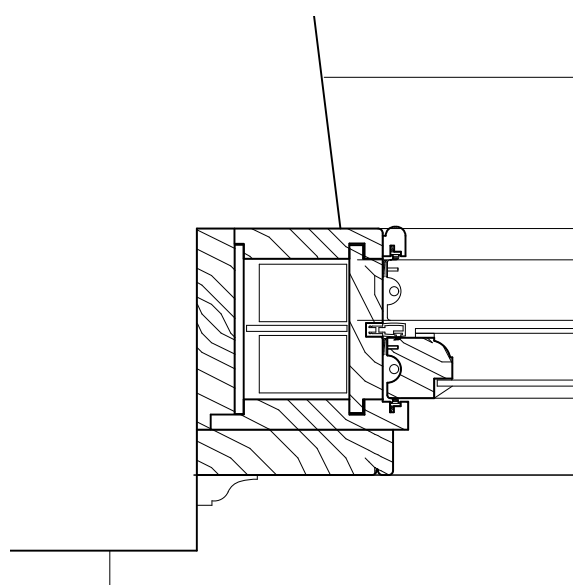


ROOM  
SIDE

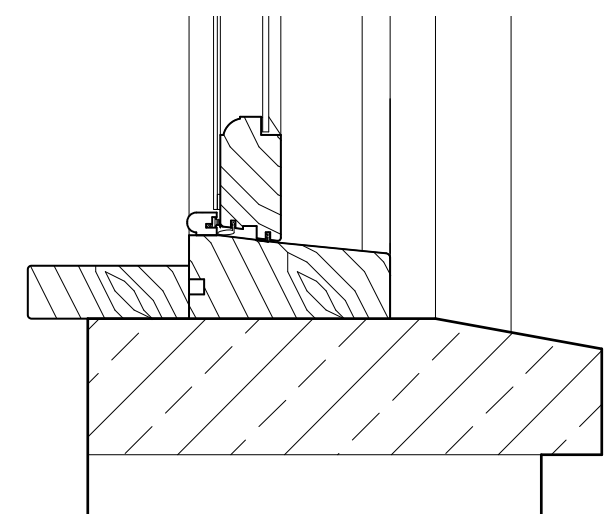
03 Section  
C (45)004 1:20@A3



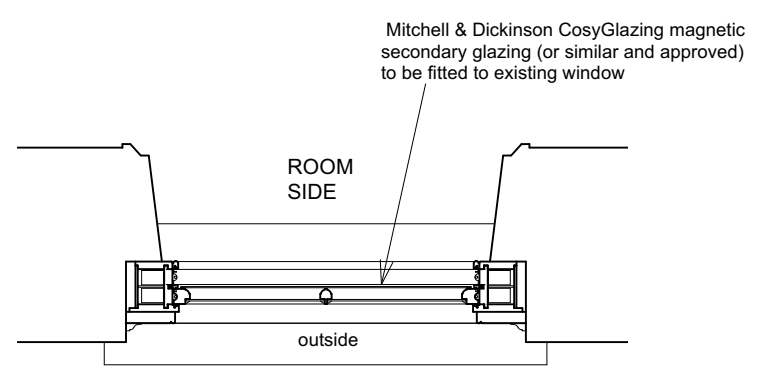
Mitchell & Dickinson CosyGlazing  
magnetic secondary glazing (or  
similar and approved) to be fitted  
to existing window



04 Jamb detail  
C (45)004 1:5@A3



05 Section detail  
C (45)004 1:5@A3



Mitchell & Dickinson CosyGlazing magnetic  
secondary glazing (or similar and approved)  
to be fitted to existing window

ROOM  
SIDE

outside

02 Plan  
C (45)004 1:20@A3

Notes

Revisions

PLANNING

45 Great Ormond Street  
London, WC1N 3HZ

Details - Proposed Secondary Glazing  
Front windows

**ROGER MEARS ARCHITECTS LLP**  
Union Chapel, Compton Avenue London N1 2XD

rma@rmears.co.uk tel 020 7359 8222  
www.rmears.co.uk © Roger Mears Architects LLP

Date	Scale
05/04/2024	1:5@A3

Job No.	Dwg No.	Rev
2203	<b>C (45)004</b>	