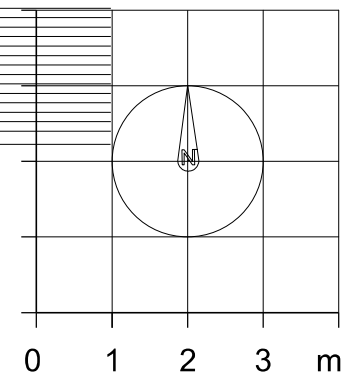




ARCHITECTS



Datum: 95.00m.
Elevation 1.
Existing Front Elevation



Datum: 95.00m.
Elevation 3.
Existing Rear Elevation

Revision

Project Title
Flat 1, 2 St Georges Terrace
NW1 8XH

Drawing Title

Existing Front and Rear Elevation

Client
Mr Ervis Pajo

Scale
1:100@A3

Date
June 2024

Drg. No.
0624_98_201

Notes

All dimensions must be checked and NEO Architects are to be informed of any discrepancies prior to construction. This drawing and any of the details therein remain the copyright of NEO Architects.

NEO Architects
105a Park Road
New Barnet
EN4 9QR

Phone +44 (0) 20 33040480
Mobile 07802 237666

michael@neoarchitects.co.uk