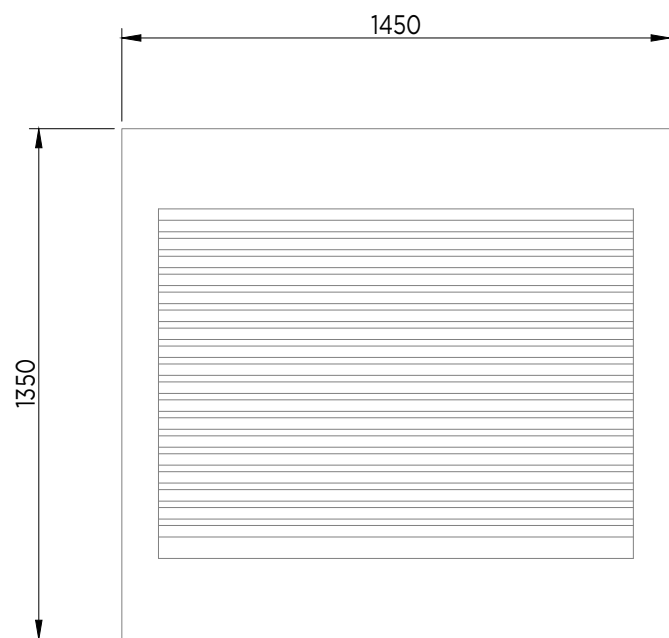
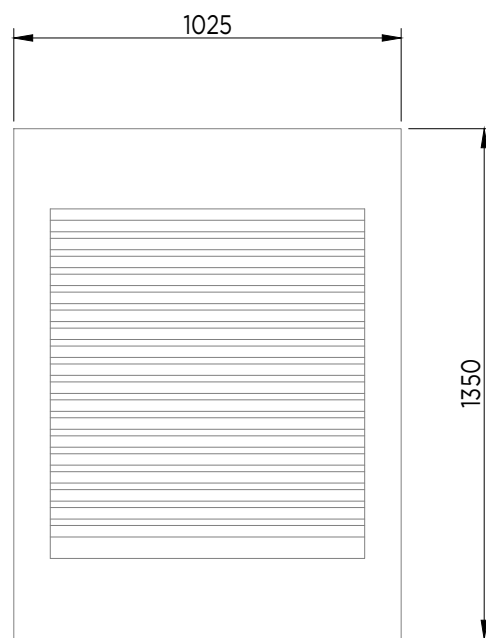


ENVIRON SC100

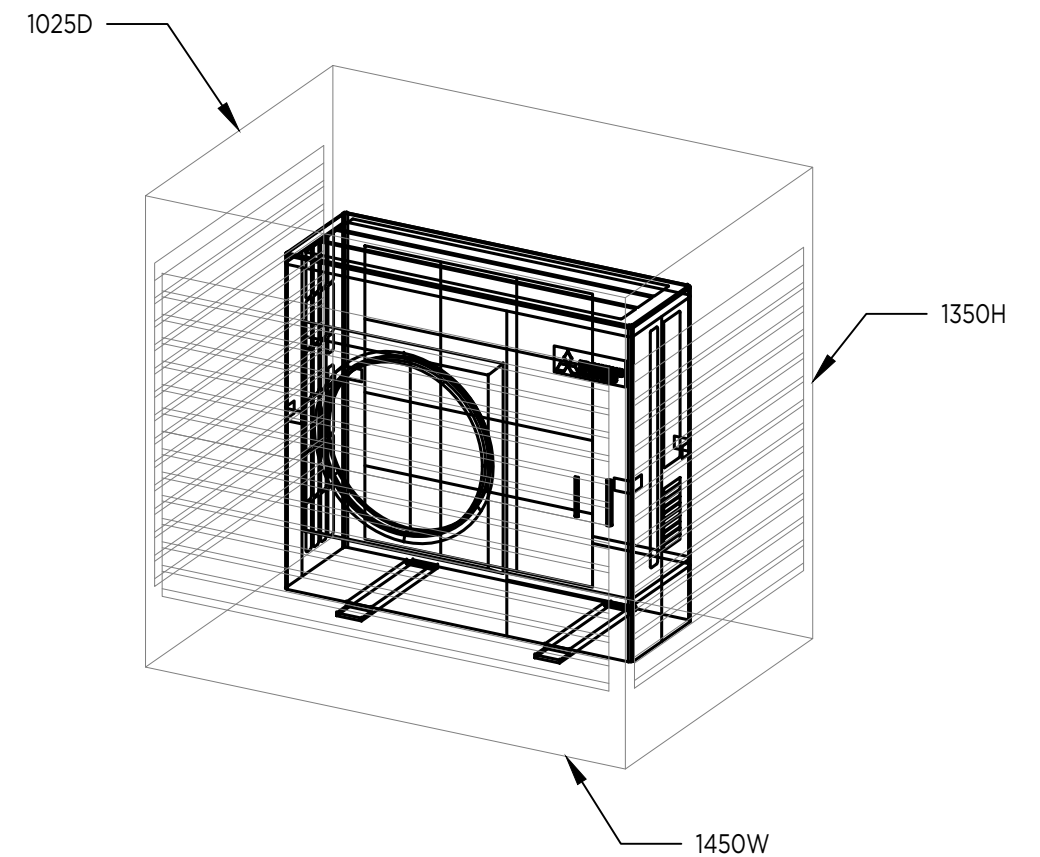



FRONT VIEW  
SCALE 1:20



SIDE VIEW  
SCALE 1:20

ISOMETRIC VIEW  
SCALE 1:20



		Status: PRELIMINARY						Title: ENVIRON SC LOUVRED ACOUSTIC ENCLOSURE		Engineering Sustainability Hillside House, 204b Godstone Road, Caterham, Surrey. CR3 6RD		
		Project: 11 CANNON LANE HAMPSTEAD LONDON								t +44 (0) 1883 331630 e info@flattconsulting.com w flattconsulting.com		
Revision:	Description:	Date:	Engr:	Drwn:	Chkd:	Appd:	Date:	Scale:	Size:	Drawing Number:	Revision:	
			N/A	NF	PM	PM	15.07.24	1:20	A3	ENVIRON SC 100	P1	