

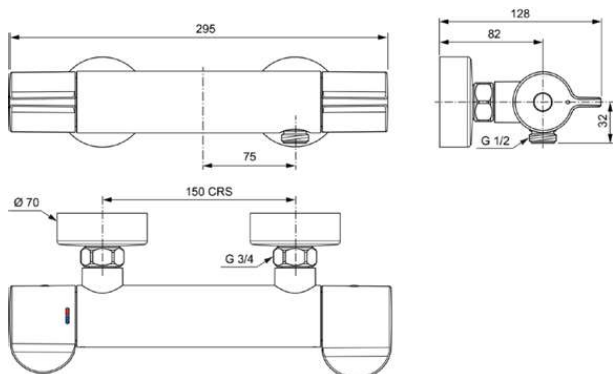
CONTOUR 21+ SAFE

A6876AA

CONTOUR 21+ SAFE | Exposed shower mixer 295x128x70 mm in chrome finish | SmartShine

Image & drawing

*Armitage
Shanks*



General information

Sub product type	Exposed shower mixer
Brand	Armitage Shanks
Suite name	CONTOUR 21+ SAFE
Colour code	AA
Colour description	Chrome
Surface finish effect	glossy
Height (mm)	70
Width (mm)	295
Length / Projection (mm)	128
EAN code	4015413340687
Net weight (kg)	2.14

Features



SmartShine

Downloads

- [Installation Guide](#)

Product standard & certifications

WRAS certificate name	1806024
TMV3 certificate name	NSF1971/0318

Product specifications

Amount of escutcheon(s)	2
With handle(s)	Yes
Amount of handles	2
Handle position	Lateral
Type of handle	Rotary knob
With escutcheon(s)	Yes
Shape of escutcheon(s)	Round
Material of body	Brass
Surface cover	chromium-plated
SmartShine	Yes
With head shower	No
Shower hose connection thread	G 1/2
With handspray set	No
With shower kit	No
With S-couplings	No
PVD technology	No
IdealPlus technology	No
Max. flow rate at 300 kPa (l)	19