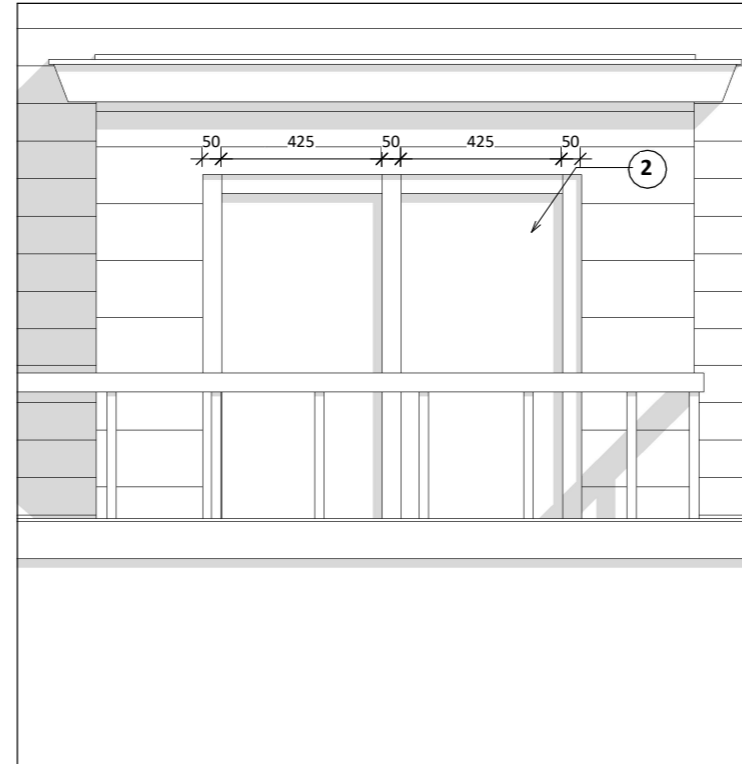
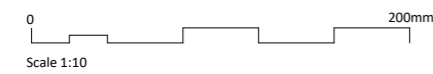


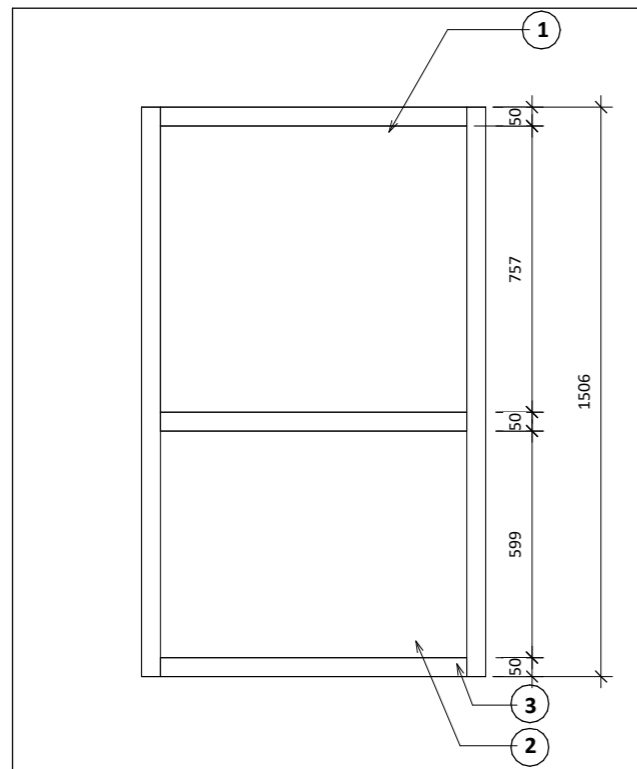
PROPOSED WINDOW A (Double Casement)

SCALE - (1 : 10) @A1 Sheet



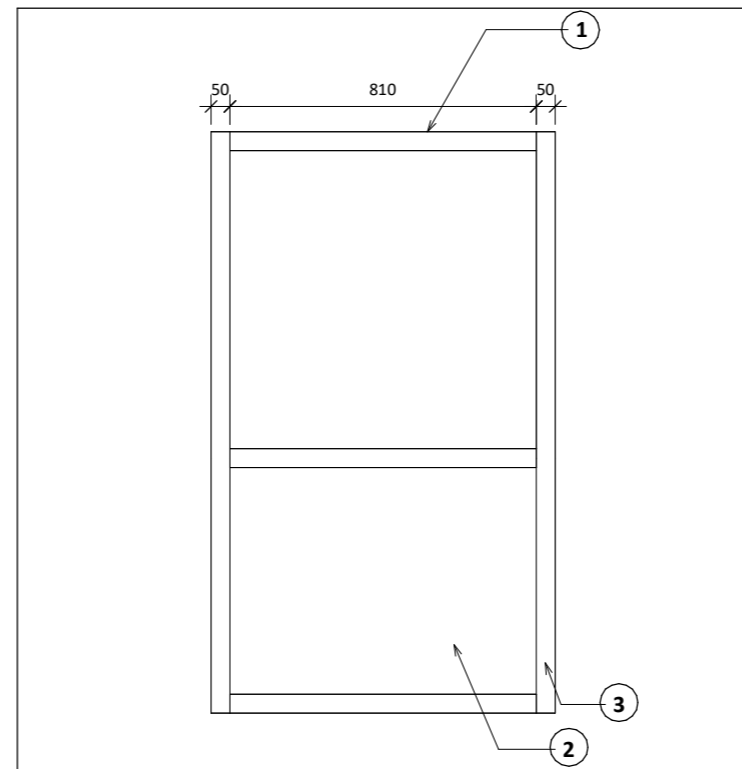
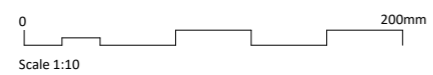
PROPOSED WINDOW B (Double Casement)

SCALE - (1 : 10) @A1 Sheet



PROPOSED WINDOW C (SASH WINDOW)

SCALE - (1 : 10) @A1 Sheet



PROPOSED WINDOW D (SASH WINDOW)

SCALE - (1 : 10) @A1 Sheet



TIMBER VERTICAL SASH WINDOW

- A - Low Maintenance Timber Profiles with traditional system
- B - Balance mechanisms for every window ensuring smooth operation
- C - Internally Glazed with 24mm glazing
- D - Deep bottom rail
- E - Bespoke balance mechanisms for every window ensuring smooth operation

KEY

- 1 - Timber Vertical Sliding Sash Windows
- 2 - Double Glazed Low Emission Glass
- 3 - Wooden Window Frame
- Proposed Windows

For window details please refer DAS.pdf attached.

GENERAL NOTES:
ONLY SCALE OF DRAWINGS FOR PLANNING PURPOSES
ALL DIMENSIONS ARE TO BE CHECKED ON SITE. INCONSISTENCIES ARE TO BE REPORTED TO DIMENSIONS IMMEDIATELY.
COPYRIGHT OF PLANNING DIMENSIONS LTD

PROJECT TITLE
6-7 South Grove, London N6 6BS

CLIENT PROJECT NO
D.G. .

DRAWING TITLE SCALE (@ A1)
Proposed Window Detail 2 1 : 10

DRAWING NUMBER REV
PR - 0002 A

Date Drawn by
24/04/2024 Awin Selva

info@pdimensions.co.uk
www.pdimensions.co.uk
0208 076 9300

Unit 1
100 South Business Park
100 South Street
N16 2JZ