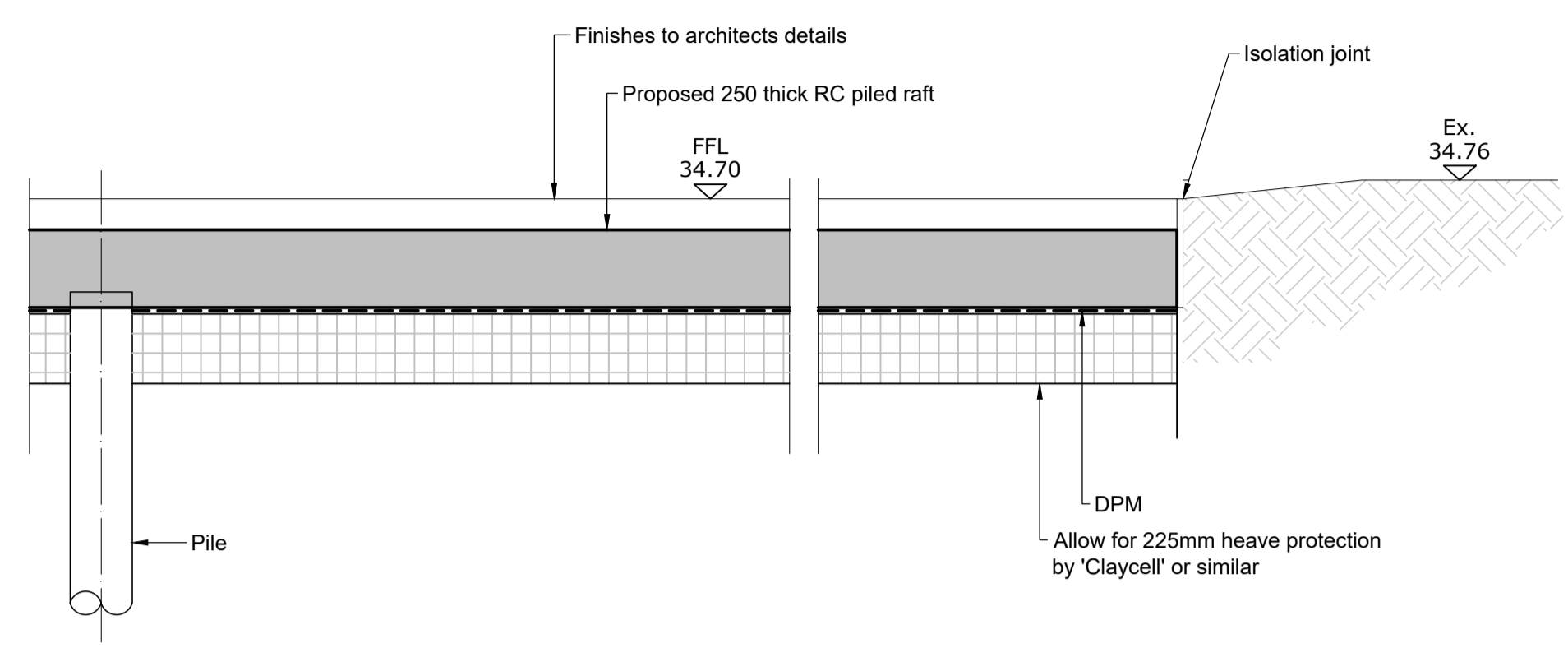
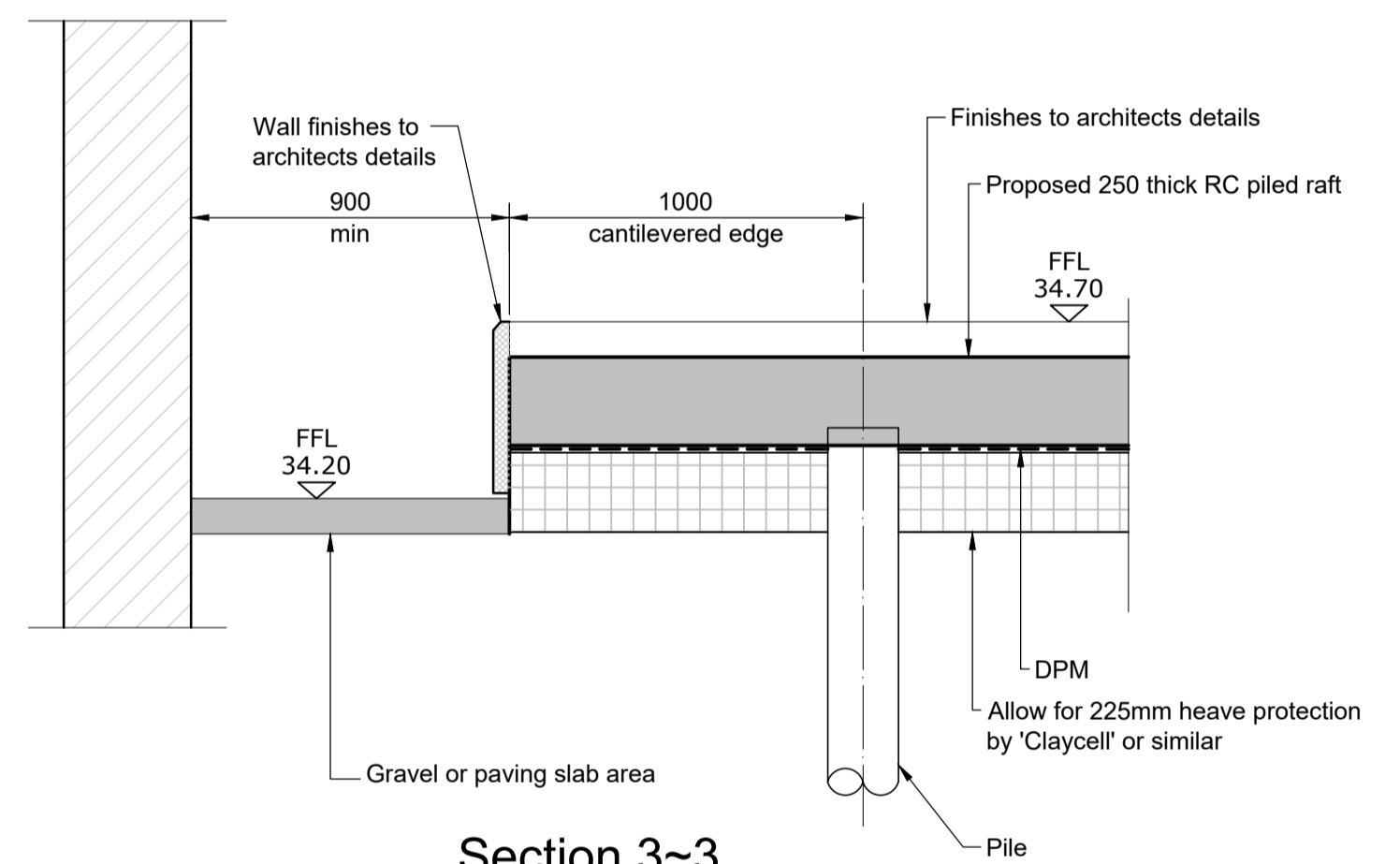


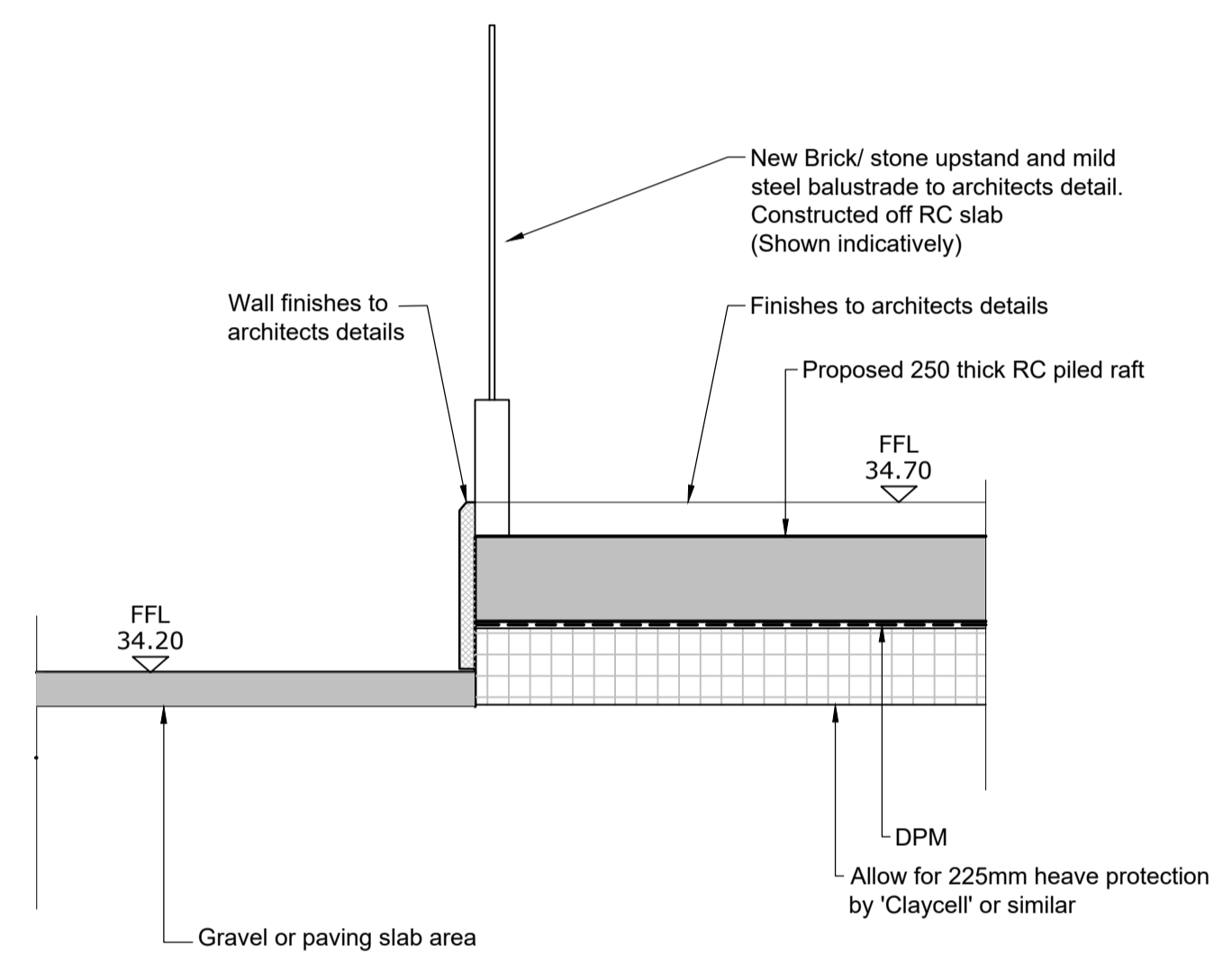
Section 1~1
(1:20)



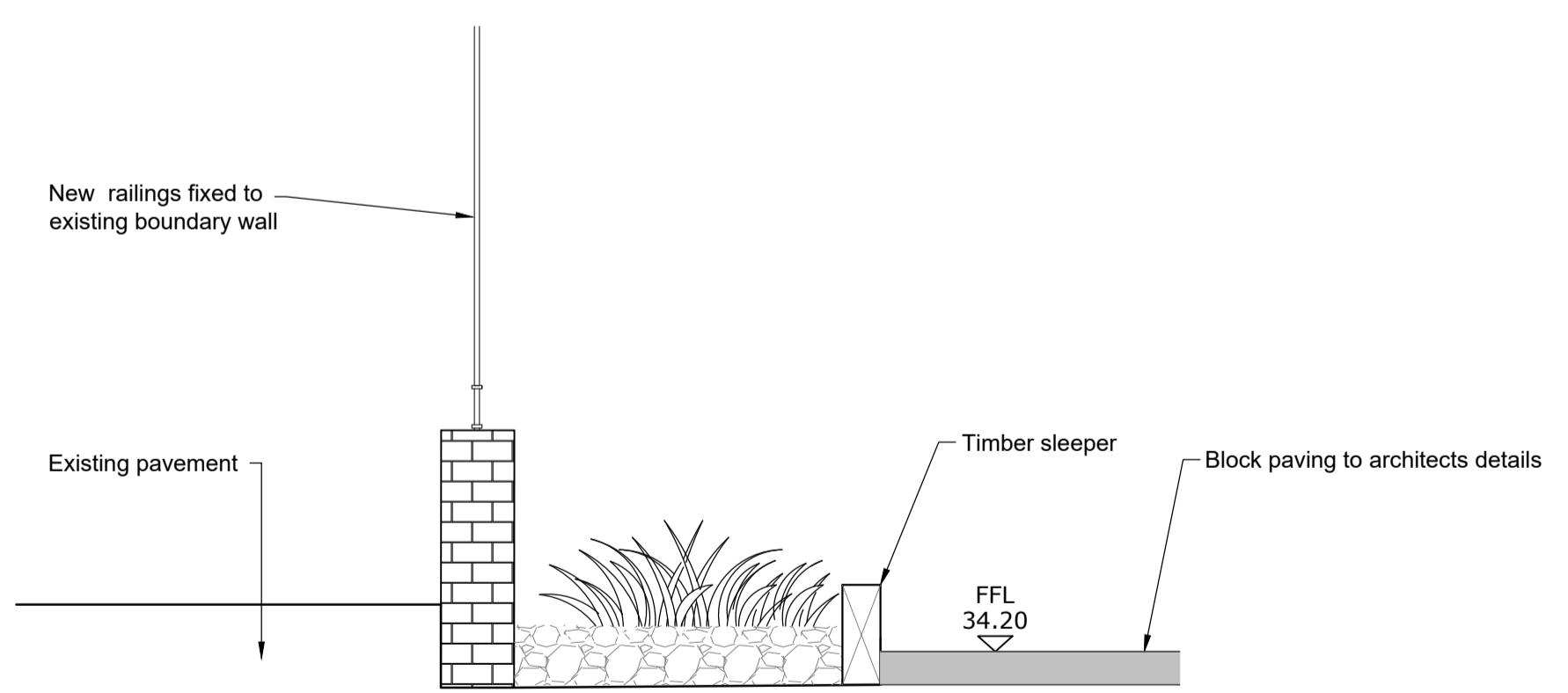
Section 2~2
(1:20)



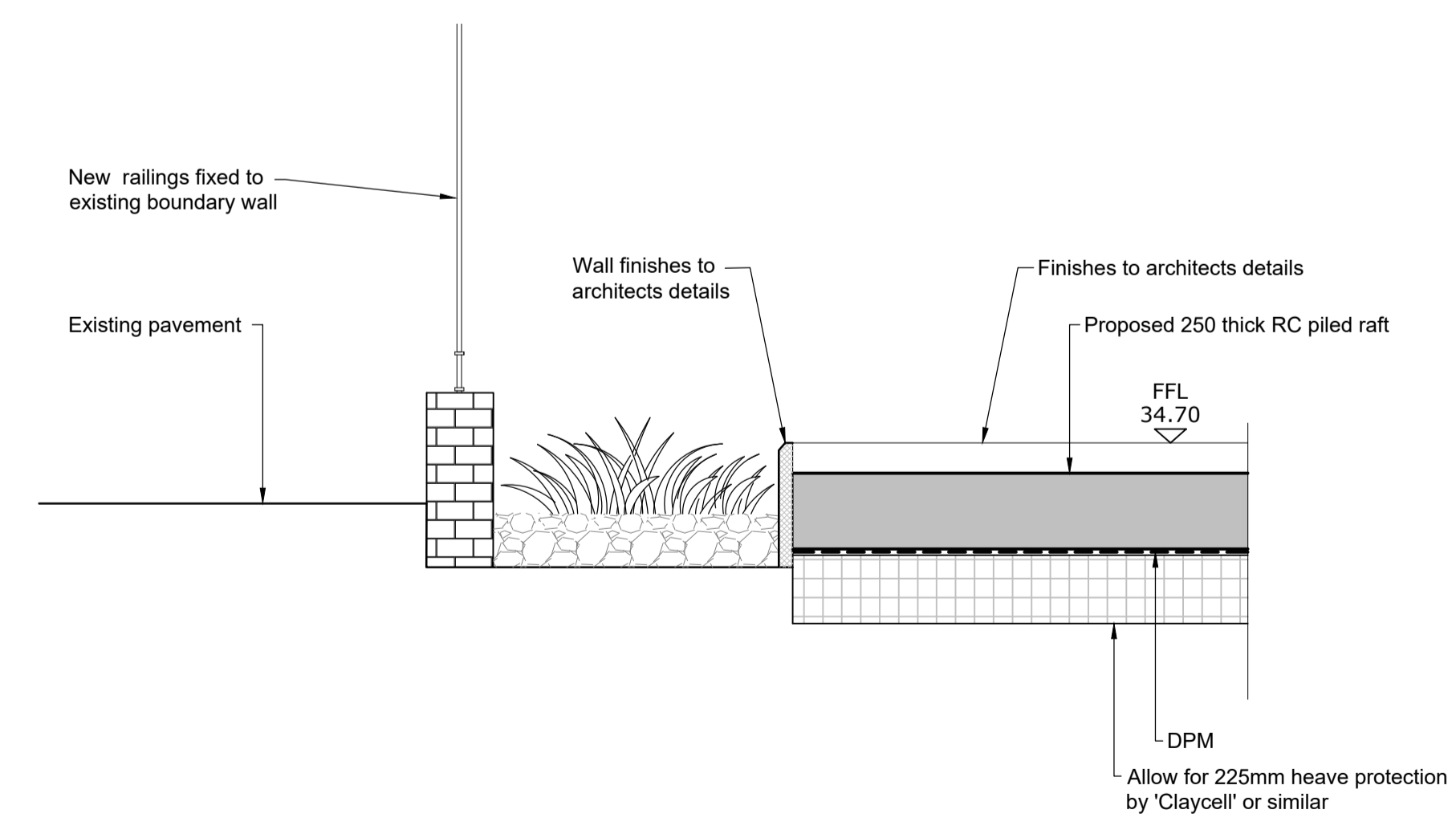
Section 3~3
(1:20)



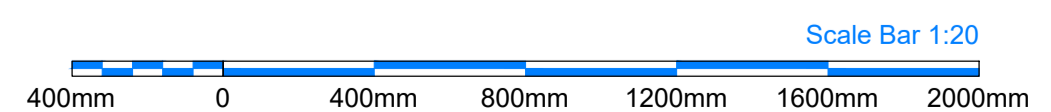
Section 4~4
(1:20)



Section 5~5
(1:20)



Section 6~6
(1:20)



- GENERAL**
- Any dimensions taken from CAD files are to be verified against figured dimensions or by BGC.
 - This drawing must be read in conjunction with all relevant Architects, Engineers, Specialist Manufacturers and Contractors drawings and Specifications.
 - Any differences arising between these documents and/or variations between drawings and site conditions are to be referred to the Architect and Engineers.
 - All work is to be carried out in accordance with Health & Safety Regulations and to the full approval of the Planning Supervisor.
 - The Contractor must check and verify all dimensions before commencing work and report any discrepancies to the Architect and Engineers.
 - The positions of services, plant or apparatus where shown on this drawing are indicative and reference should be made to the Specialist Consultants drawings for actual details.
 - The Contractor to take all necessary precautions to establish the location of buried services and obstructions prior to commencing excavations. All proprietary materials are to be installed in accordance with the manufacturers specification and recommendations.

- PLANNING AND APPROVAL**
- The drawing may be scaled for planning purposes.
 - All dimensions in millimeters
 - All levels in metres AOD.

CONCEPT
This scheme is concept only and is subject to design development

Tree protection measures to be agreed with arboriculturalist

Irrigation system to be installed beneath the slab to drainage consultant's specification.

Perforation holes to be drilled throughout the slab to allow gaseous exchanges

Piling Mat design must be suitable for shallow tree roots

FOR APPROVAL

Rev.	Revision Description	Date
C	Amended Slab Edge And Pile Locations	25.06.24
B	Amended Slab Edge And Pile Locations	19.06.24
A	Amended Slab Edge And Pile Locations	24.05.24
J	First Issue	23.01.24

bg Baxter Glaysher Consulting
Civil and Structural Engineers
33-35 Bell Street
Reigate
Surrey
RH2 7AW
Tel.: 01737 240241
Email: contact@bg-consulting.co.uk

Client
Mitchells & Butlers

Project
The Edinboro Castle
Greater London, NW1 7RU

Drawing Title
Proposed External Graden
Raft Foundation Details

Drawn	Checked	Approved	Contract / Drawing No.	Rev.
MD	LD	LD	223410 D02	C

Baxter Glaysher Consulting Ltd
2022© Copyright; This drawing is the property of Baxter Glaysher Consulting Ltd. Copyright is reserved by them and the drawing is issued on the condition that it is not copied either wholly, or in part, without the consent in writing of Baxter Glaysher Consulting Ltd.