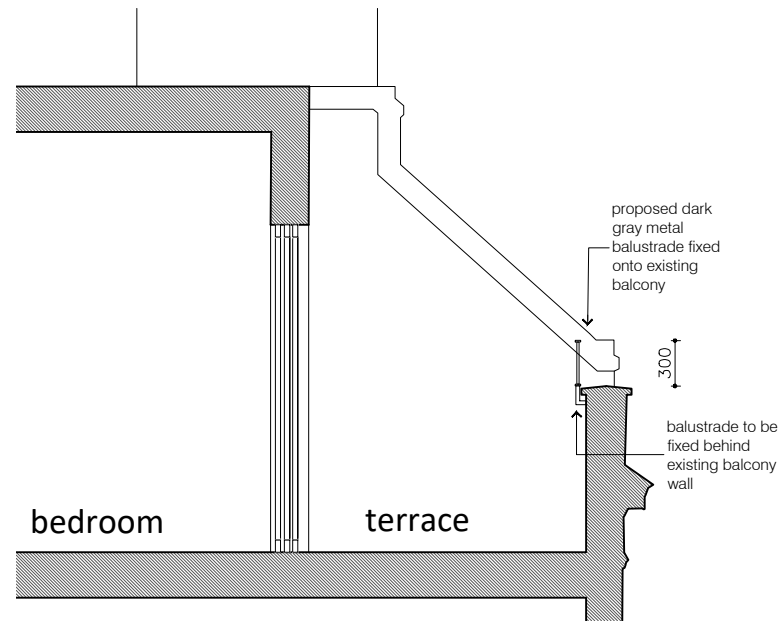
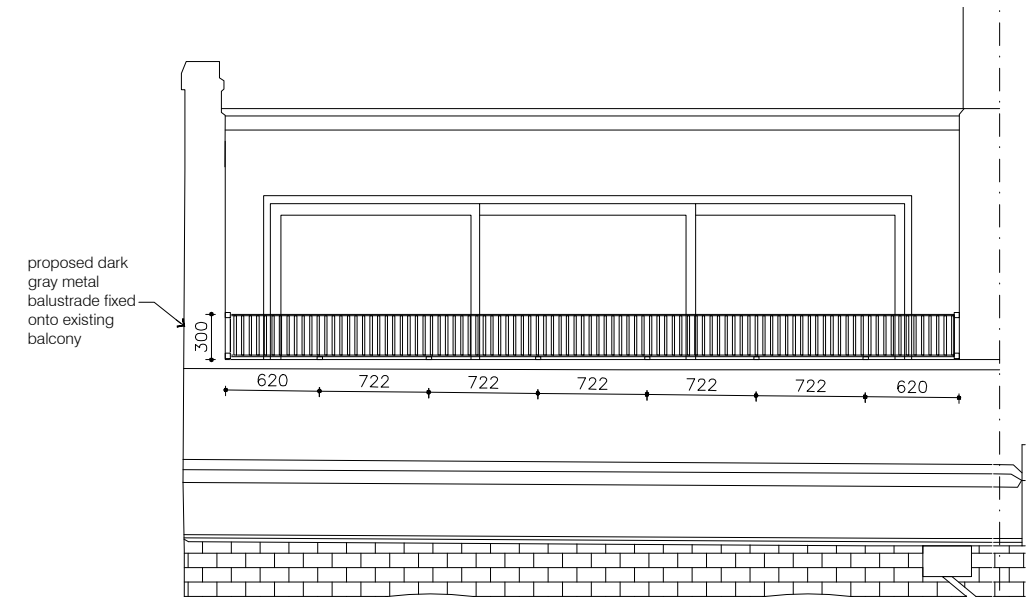


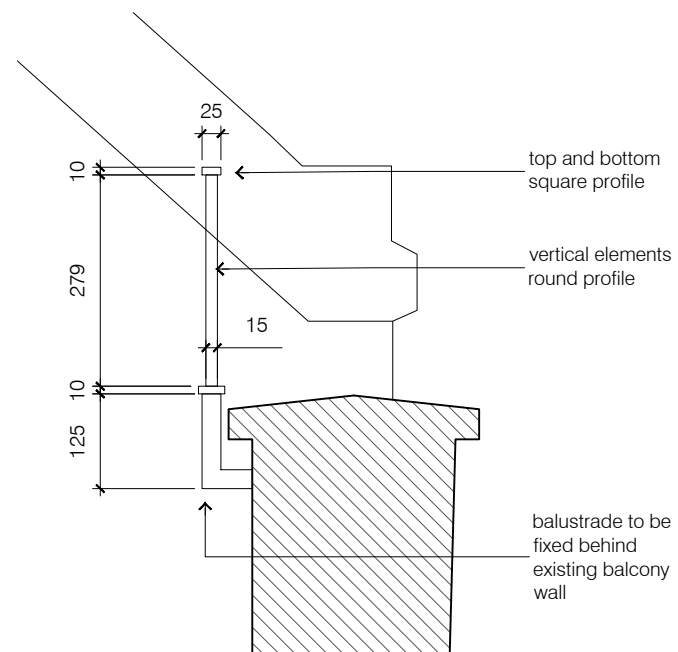
EXISTING BALCONY SECTION
scale 1:50



PROPOSED BALCONY SECTION
scale 1:50



PROPOSED BALUSTRADE FRONT ELEVATION
scale 1:50



BALCONY SECTION DETAIL
scale 1:10



All dimensions are set out using survey drawings and are from the ground floor existing internal wall line. Check all setting out on site - if there are any erroneous dimensions please contact us.

rev.	date	description	drawn	checked
-	01.07.2024	Planning application - added page	MH/FS	FS

6A Chalcot Road . London . NW1 8LH

client Alex Amsel job SD203 dwg 161

Proposed elevations indicated

