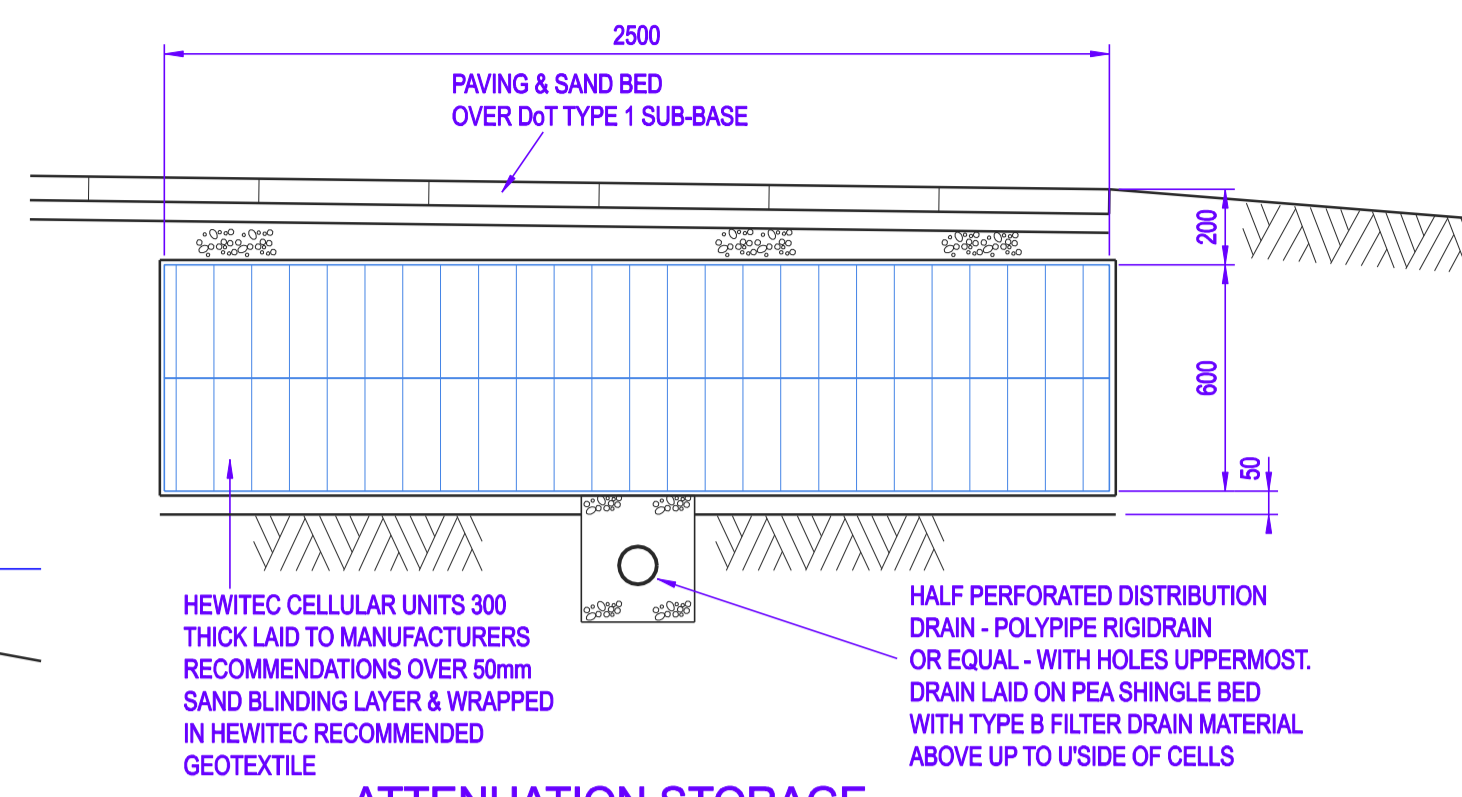
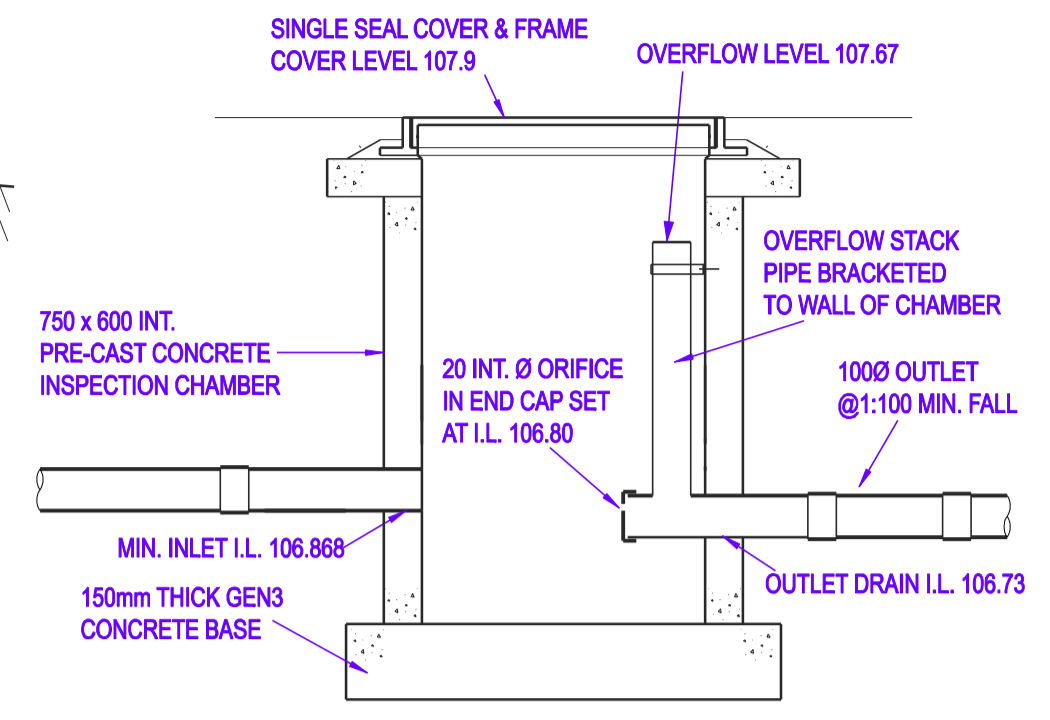


EXFILTRATION ZONE SECTION B-B 1:20@A1



ATTENUATION STORAGE SECTION A-A 1:20@A1



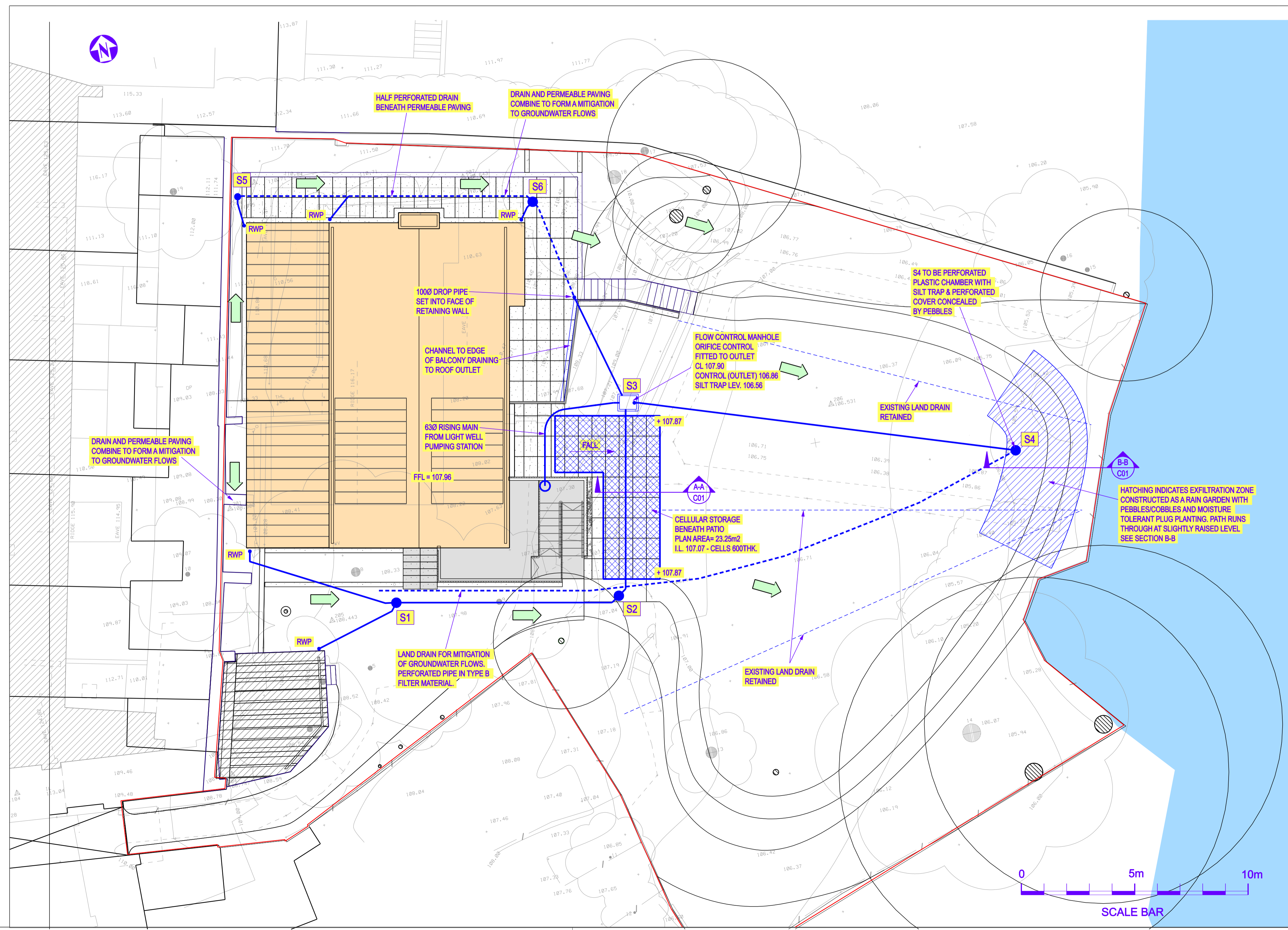
FLOW CONTROL CHAMBER 1:20@A1

- NOTES**
- PROPOSED PRIVATE STORM DRAINAGE. ALL DRAINS 100Ø PLASTIC UNLESS NOTED OTHERWISE.
 - INSPECTION CHAMBERS
 - EXISTING LEVEL
 - PROPOSED LEVEL
 - PROPOSED INSPECTION CHAMBER REF
 - RWP ROOFWATER DOWNPIPE
 - DRAINAGE EXCEEDANCE/OVERLAND FLOW ROUTE

SURFACE WATER INSPECTION CHAMBER SCHEDULE

INSPECTION CHAMBER	COVER LEVEL ¹	INVERT LEVEL (OUTGOING PIPE)	INSPECTION CHAMBER TYPE / OUTLET PIPE Ø ²	COVER TYPE ³	NOTES
S1	108.30	107.7	450 PPIC/100	B	
S2	107.9	106.95	450 PPIC/100	B	
S3	107.9	106.73	750x600 CONC/100	G	FLOW CONTROL
S4	SEE SECTION B-B	450 PPIC/100	450 PPIC/100	B	SEE SECTION B-B
S5	110.50	110.05	300 PPIC/100	F	
S6	110.50	109.91	450 PPIC/100	B	

- INSPECTION CHAMBER SCHEDULE NOTES**
- LEVELS TO BE ADJUSTED AS REQUIRED TO SUIT FINAL LEVELS & CROSSFALLS.
 - MINI-ACCESS = HEPWORTH MINI ACCESS CHAMBER SDAC1/1 OR EQUAL. PPIC = OSMA W/AVIN RANGE 450 IC OR EQUAL. BASES AS APPROPRIATE TO SIZE AND POSITIONS OF CONNECTING DRAINS
 - A= 600 SQ. C.I. PETER SAVAGE KD62C C250 LOADING
 B= 450 SQ. C.I. PETER SAVAGE KD60C C250 LOADING
 C= 450 SQ. GALV. STEEL INFILL PETER SAVAGE PS6002B SINGLE SEAL FACTA AAA LOADING
 D= 300 SQ. GALV. STEEL INFILL PETER SAVAGE PS3900a DOUBLE SEAL FACTA AAA LOADING
 E= 450 SQ. GALV. STEEL INFILL PETER SAVAGE PS3900b DOUBLE SEAL FACTA AAA LOADING
 F= 300 SQ. C.I. ECCLES FOUNDRIES DU089 C250 LOADING
 G= 750x600 PETER SAVAGE KD3540S OR EQUAL



Rev B 05.08.20 JB PERF DRAIN, SECTION B-B AND NOTES ADDED

DRAWING STATUS: **For Condition Discharge**

Infrastructure Design Studio
 CONSULTING ENGINEERS Tel: (+44) 01285 655 008
 31 Dyer Street, Cirencester, Gloucestershire, GL7 2PP

CLIENT: **Mr Vlachos**

PROJECT: **The Garden House**

DRAWN BY: EP 03.08.19 CHECKED: MS 03.08.19

TITLE: **Storm Drainage Layout**

SCALE: 1:100 @ A1 PROJECT No: 1377 DRAWING No: C01 REV: B