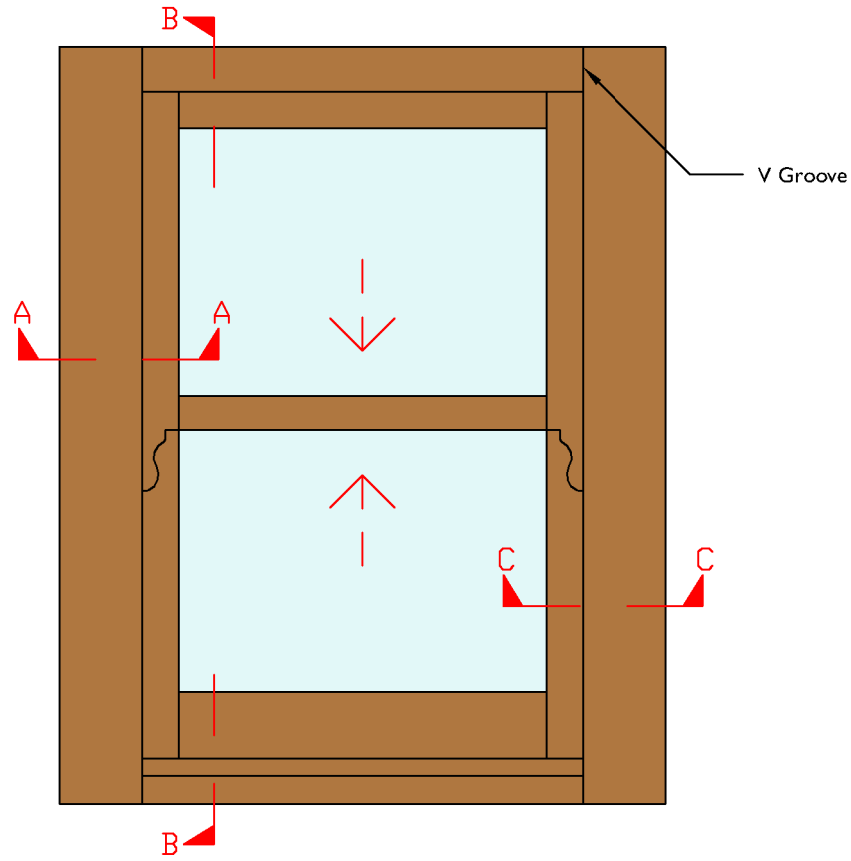
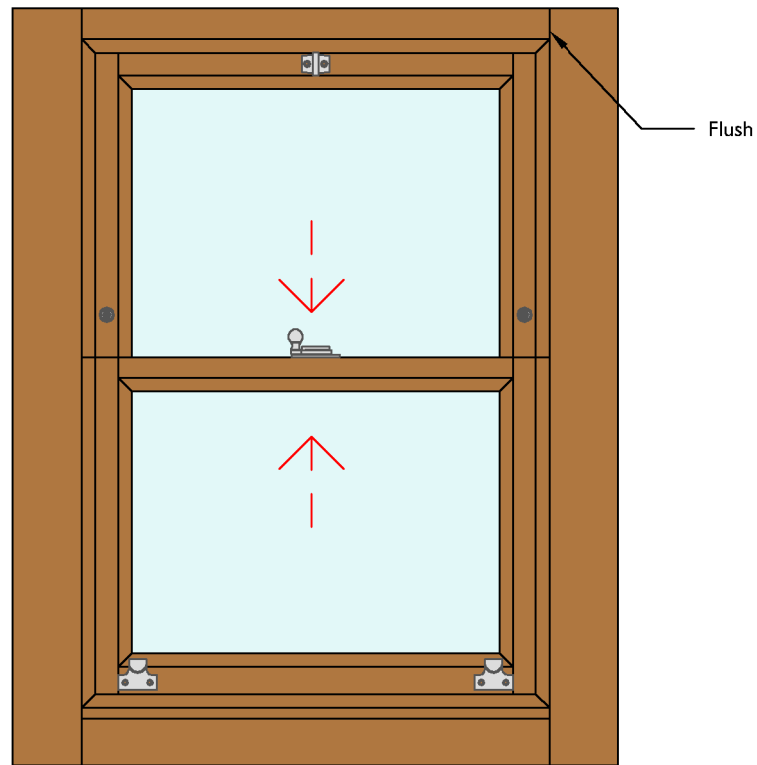


**ELEVATIONS**

Elevation 1 - Outside View (Scale 1:10)

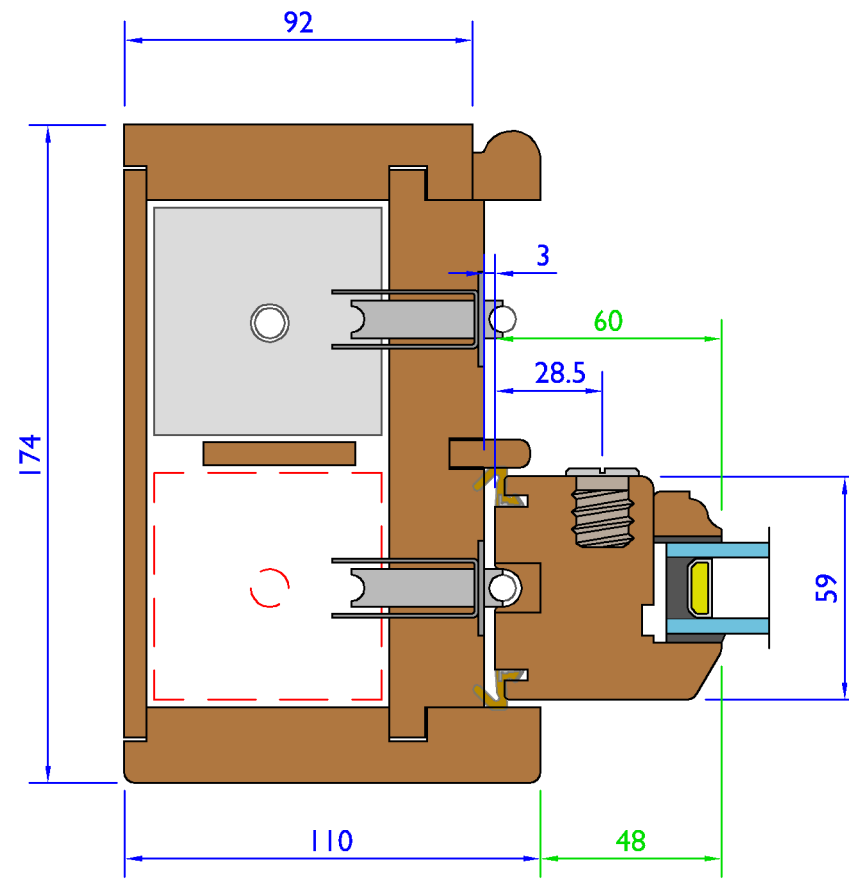


Elevation 2 - Inside View (Scale 1:10)

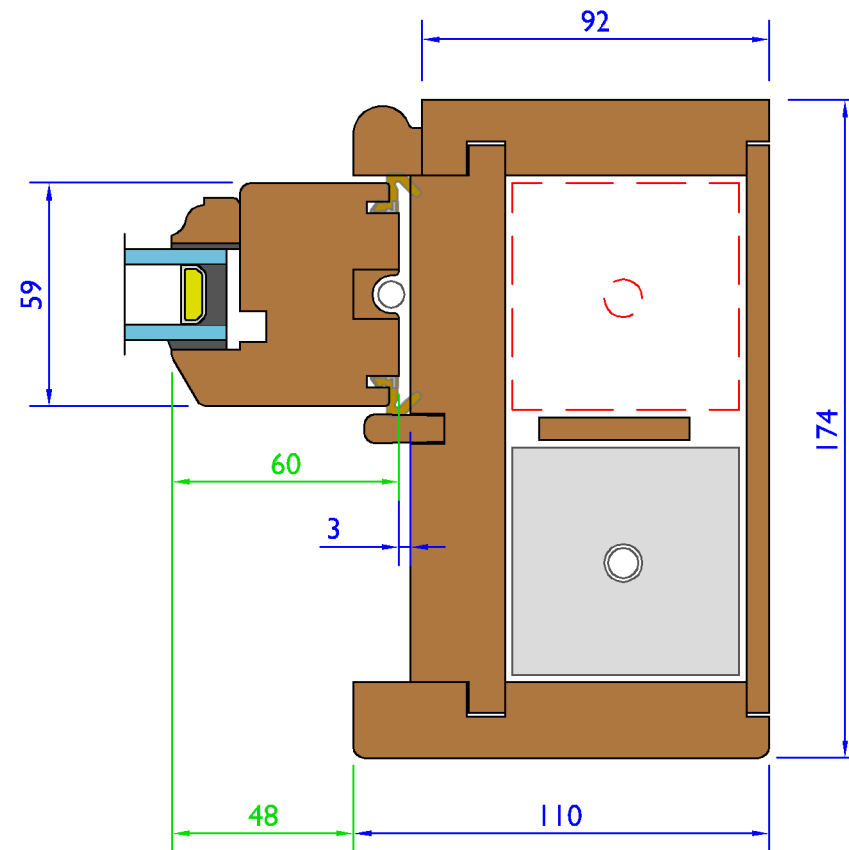


**SECTIONS**

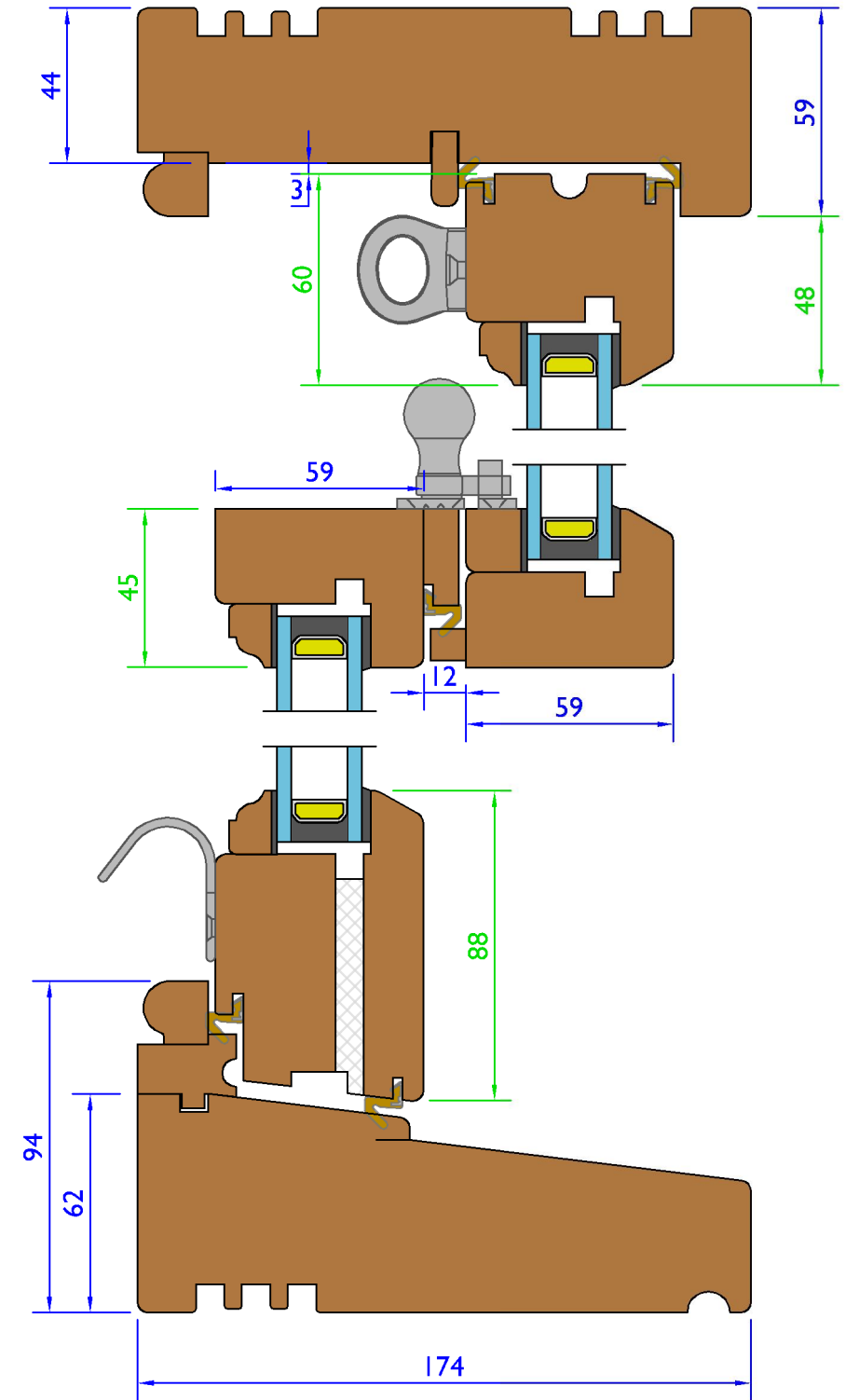
Section A-A - Upper Jamb (Scale 1:2)



Section C-C - Lower Jamb (Scale 1:2)



Section B-B - Head, Cill and Meeting Rails (Scale 1:2)



Drainage System

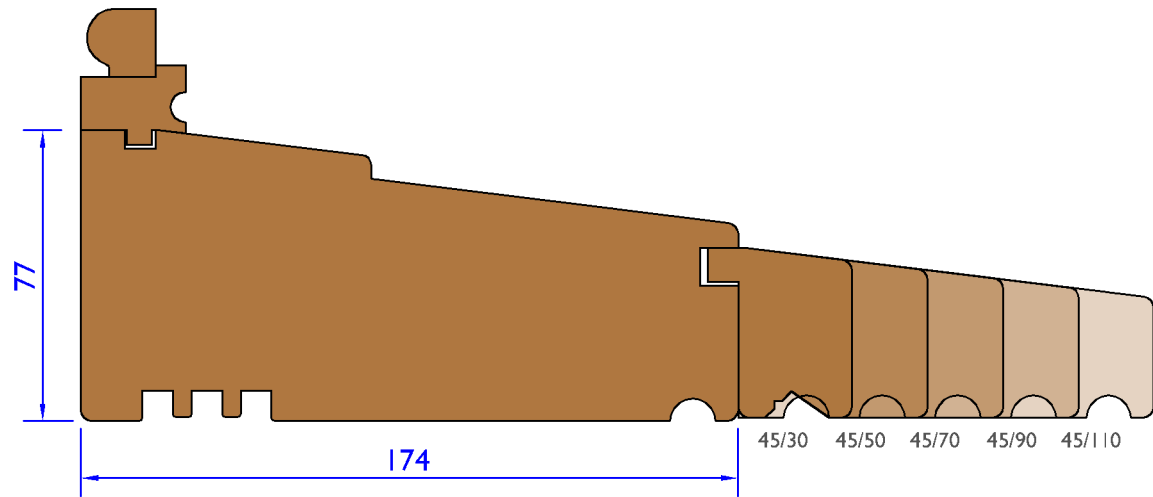
Variable Dimensions  
(Dim shown is usually min)

Fixed Dimensions

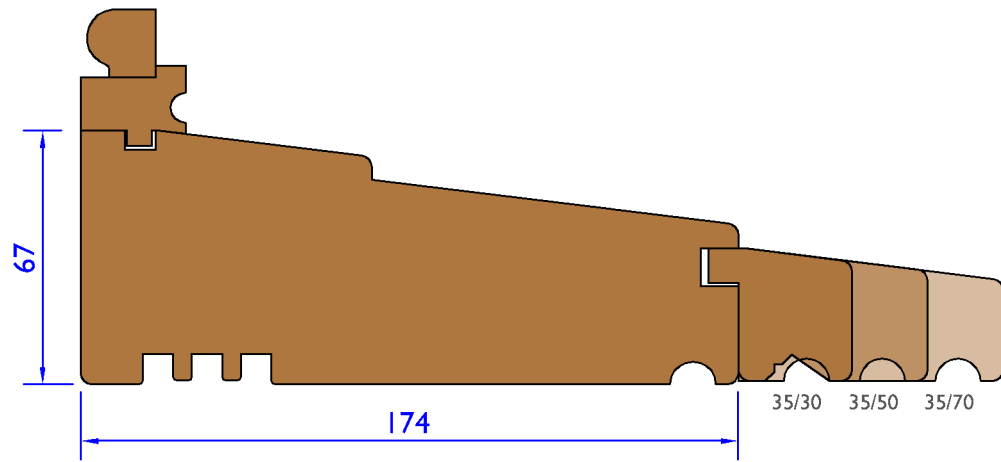
System: T-SI-174		
Title: Traditional - Box Sash Window (59mm)		
Scale:	Rev No:	Date:
As Shown	B	26-Mar-18
Drawn By:	Sheet No:	Status:
LH	1	Released

**SASH AND FRAME OPTIONS**

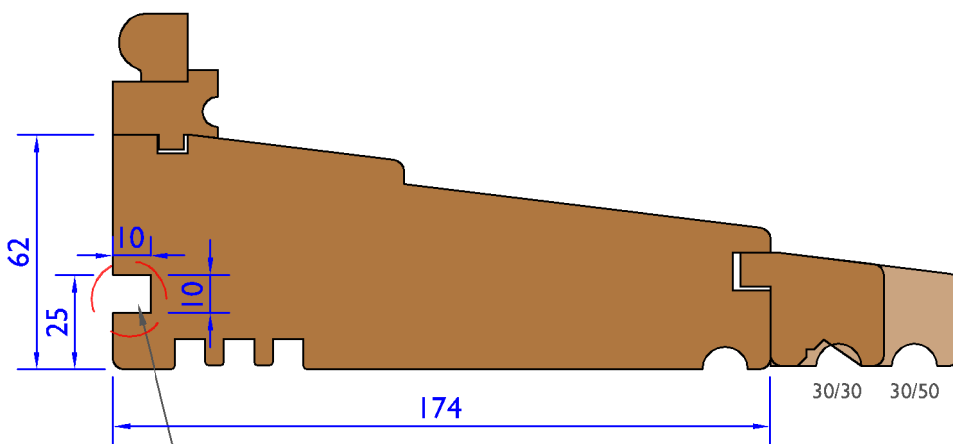
Cill Extension Option - 45mm - (Scale 1:2)



Cill Extension Option - 35mm - (Scale 1:2)

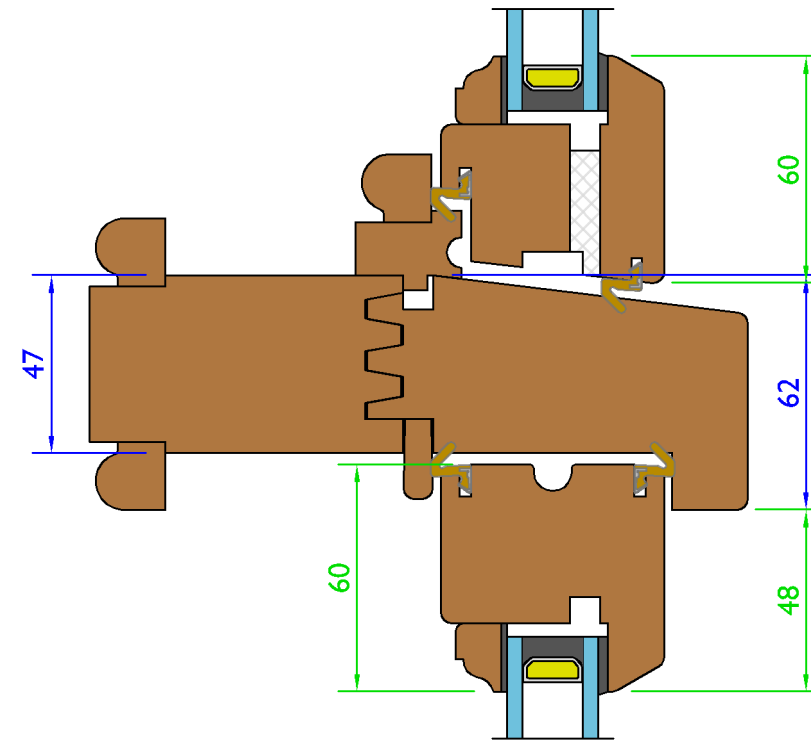


Cill Extension Option - 30mm - (Scale 1:2)

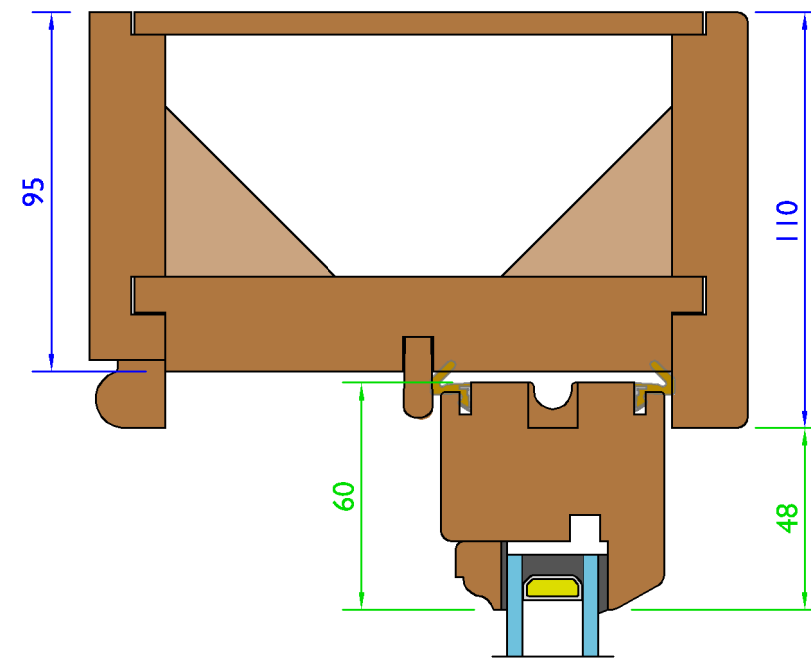


Optional windowboard groove

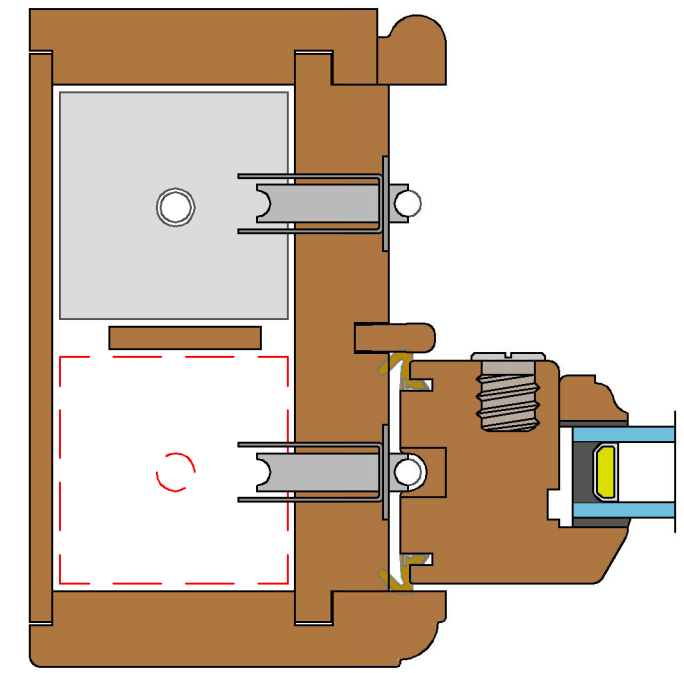
Transome Detail - Section D-D - (Scale 1:2)



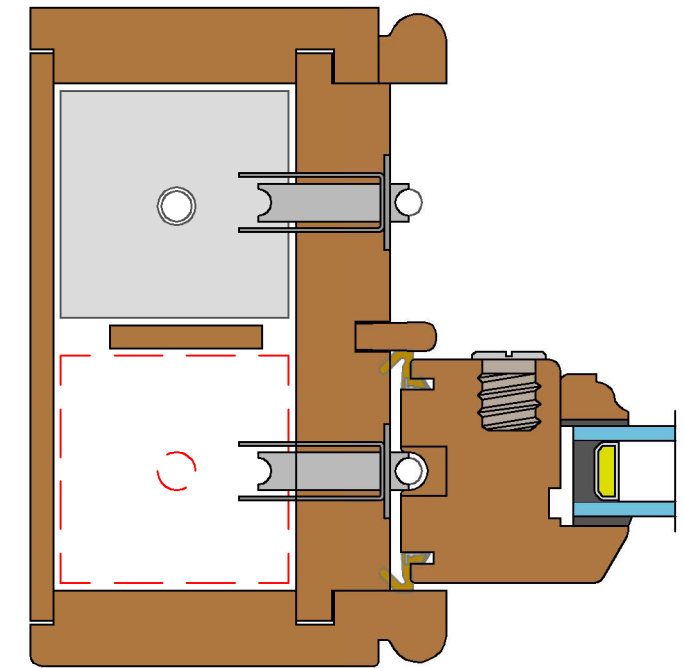
Box Head Option - (Scale 1:2)



Ovolo Frame Option- (Scale 1:2)



Bead Frame Option- (Scale 1:2)



Drainage System

Variable Dimensions  
(Dim shown is usually min)

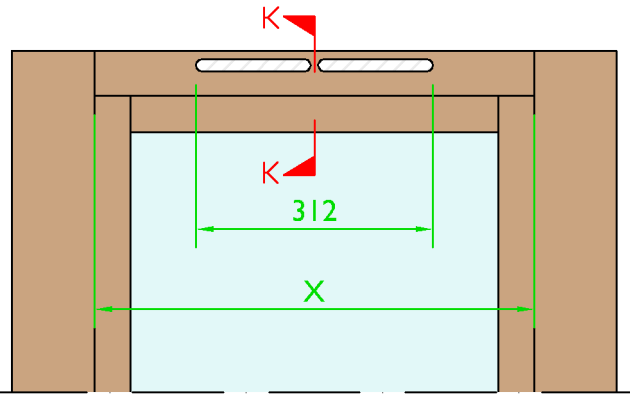
Fixed Dimensions

Tolerances: All tolerances are to George Barnsdale Standard Tolerance definitions (see supporting document for more detail) unless stated on the drawing.  
© George Barnsdale & Sons Ltd. All rights reserved. No part of this drawing may be reproduced without the permission of George Barnsdale & Son Ltd.

System: T-SI-174		
Title: Traditional - Box Sash Window (59mm)		
Scale:	Rev No:	Date:
As Shown	B	26-Mar-18
Drawn By:	Sheet No:	Status:
LH	2	Released

**GEORGE BARNSDALE**  
Est. 1884  
High Street, Donington, Spalding, Lincs, PE11 4TA  
01775 823000  
www.georgebarnsdale.co.uk

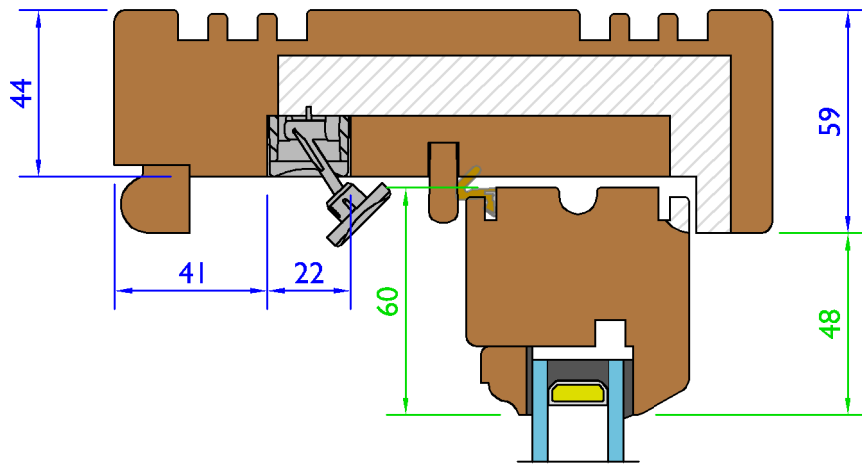
Frame Vent Elevation Detail Showing Hidden Slot Size - (Scale 1:10)



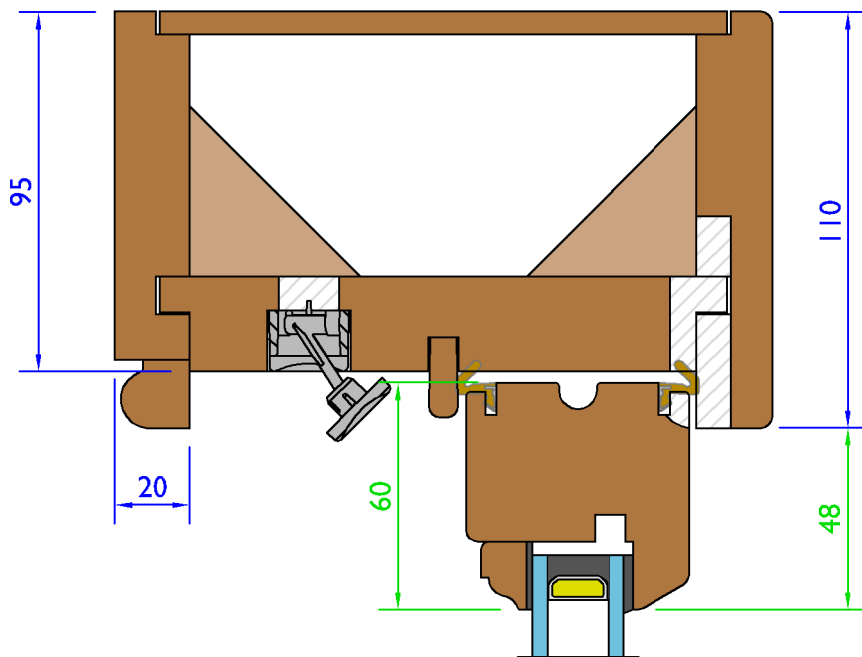
Vent not possible if X is under 400mm

Head Vent Detail Section K-K - (Scale 1:2)

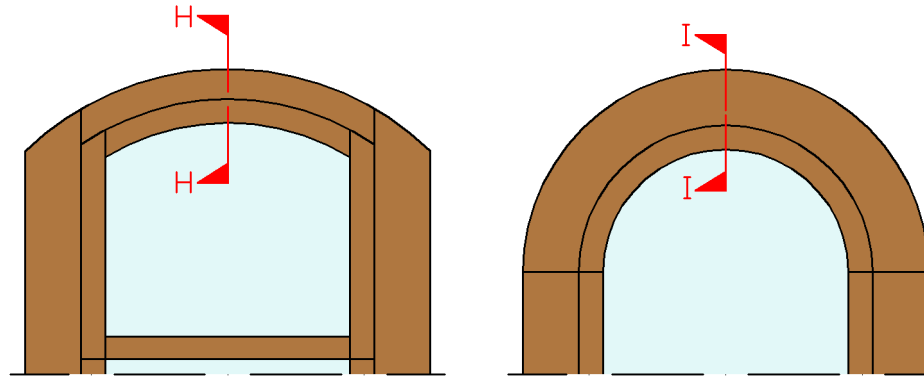
Standard Head - (Scale 1:2)



Box Head - (Scale 1:2)

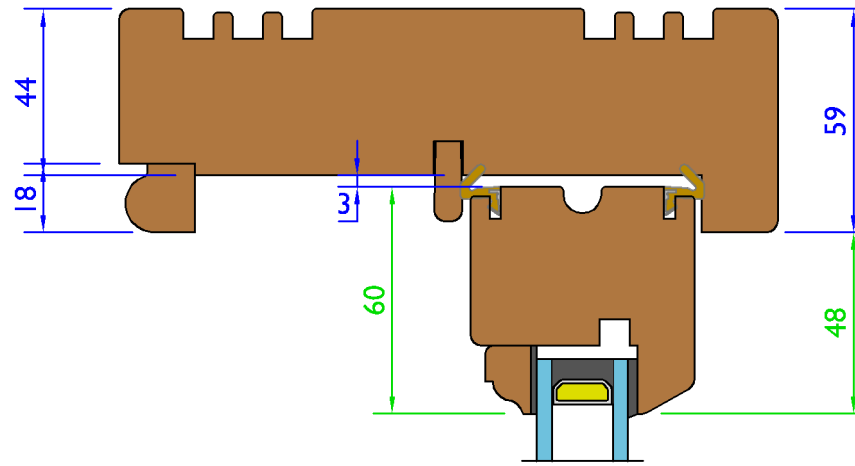


Arch Elevation Details (Scale 1:15)

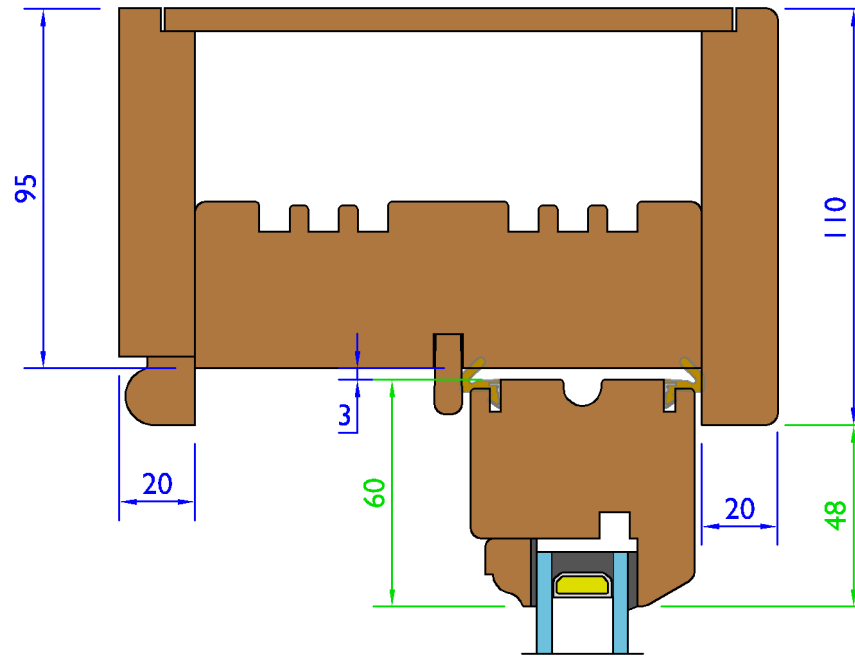


ARCHED HEAD

Arch Detail Section H-H - (Scale 1:2)

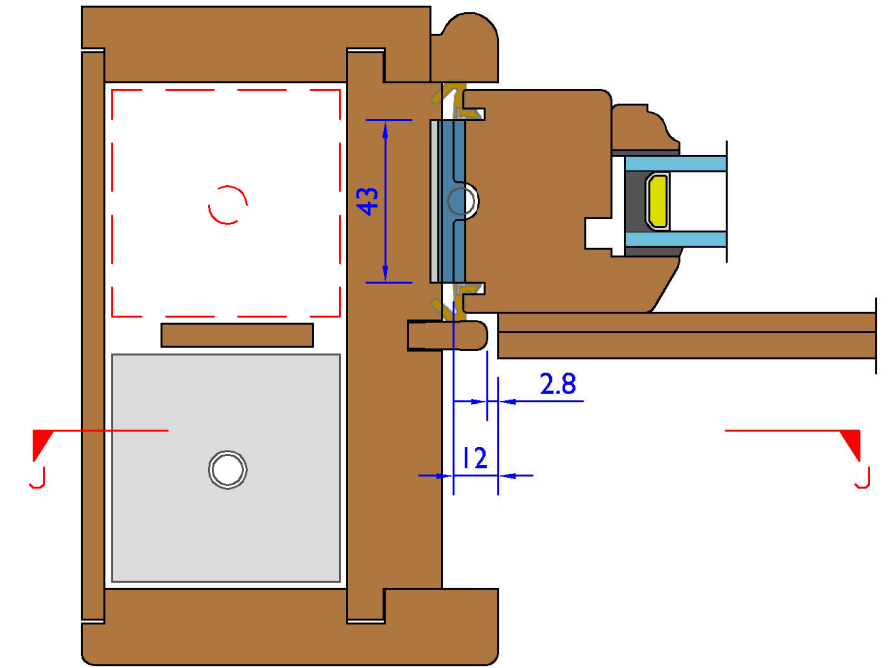


Large Arch Detail Section I-I - (Scale 1:2)

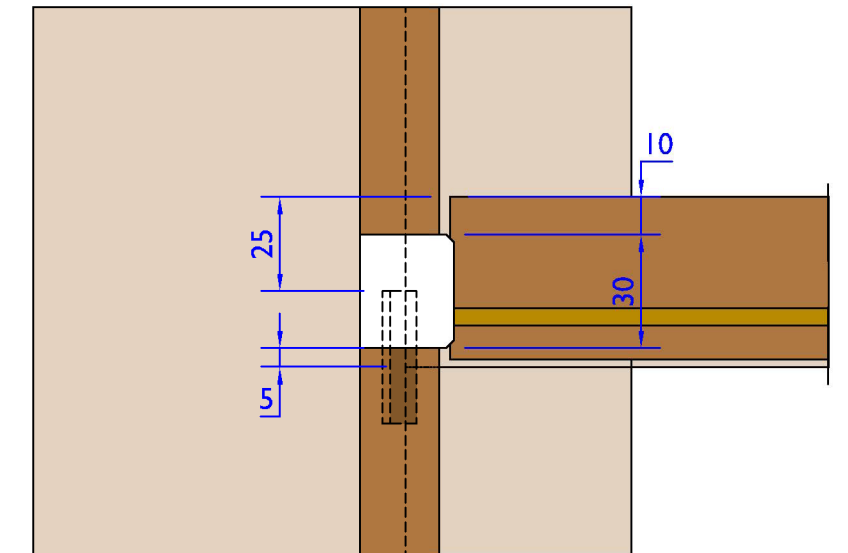


MEETING RAIL PLUGS DETAILS

Bottom sash meeting rail brush seal - (Scale 1:2)



Elevation view of section J-J, parting bead seal - (Scale 1:2)



Vent System

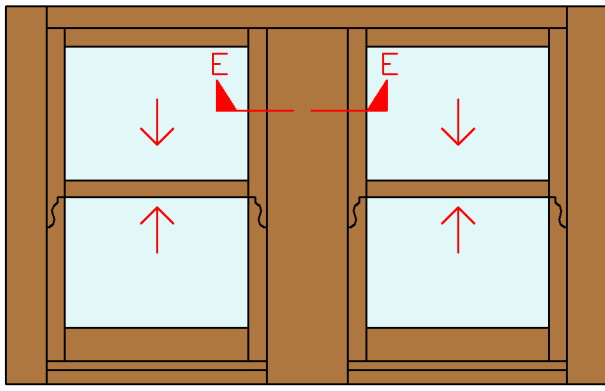
Variable Dimensions (Dim shown is usually min)

Fixed Dimensions

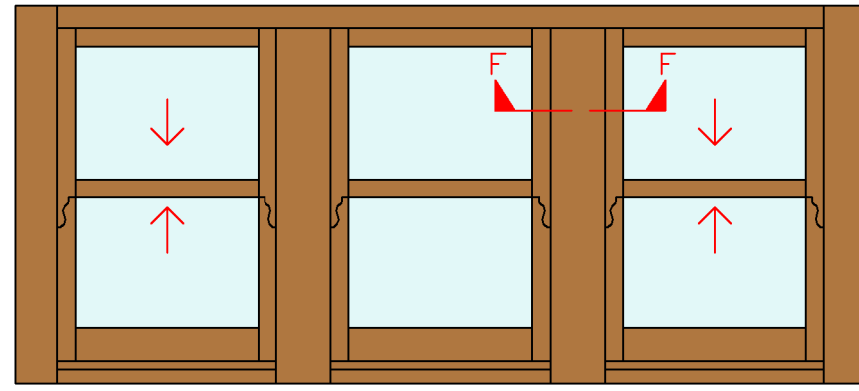
System: T-SI-174		
Title: Traditional - Box Sash Window (59mm)		
Scale:	Rev No:	Date:
As Shown	B	26-Mar-18
Drawn By:	Sheet No:	Status:
LH	3	Released

**MULLIONS**

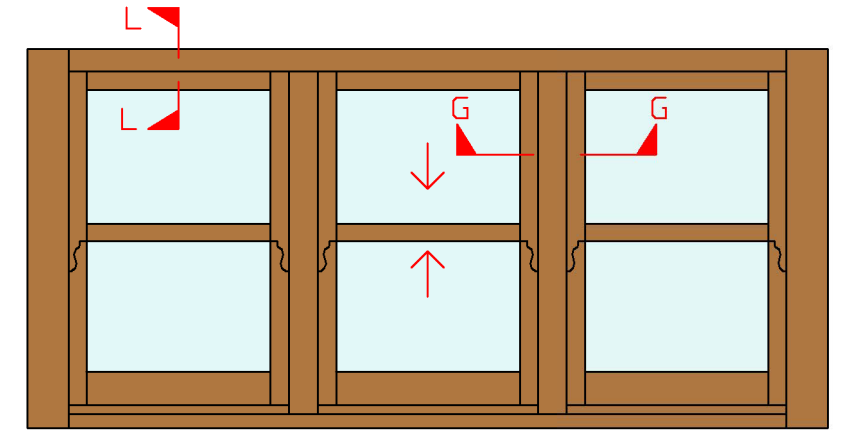
Elevation - Option A - Outside View (Scale 1:20)



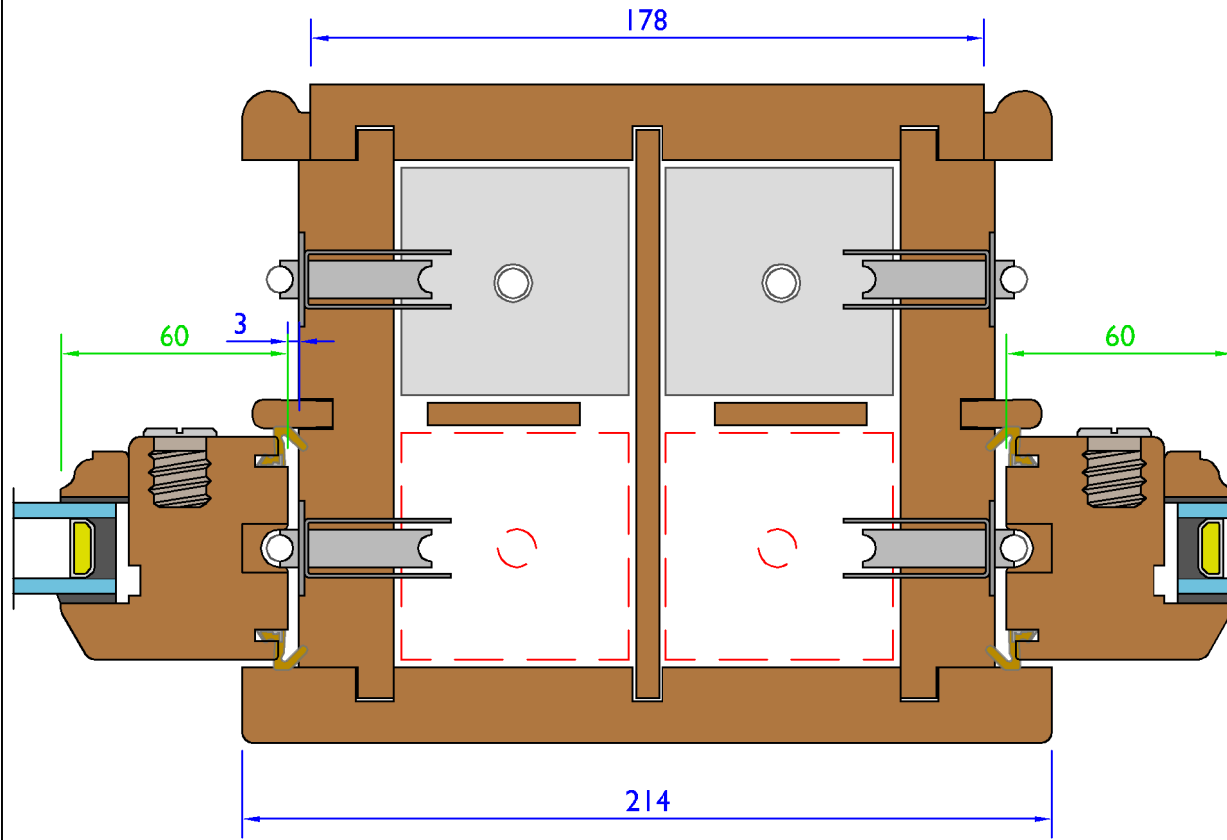
Elevation - Option B - Outside View (Scale 1:20)



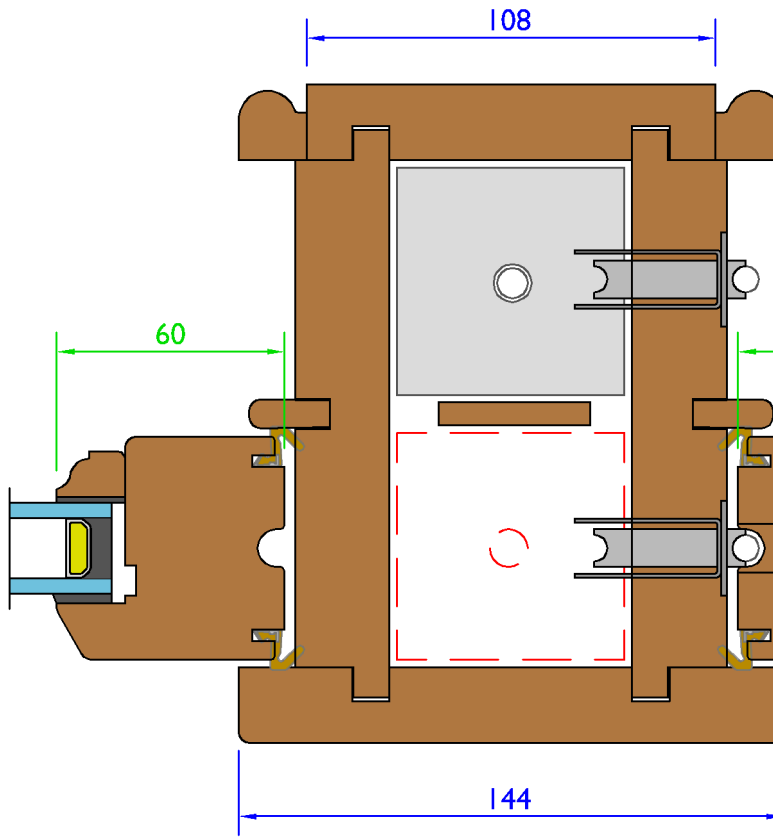
Elevation - Option C - Outside View (Scale 1:20)



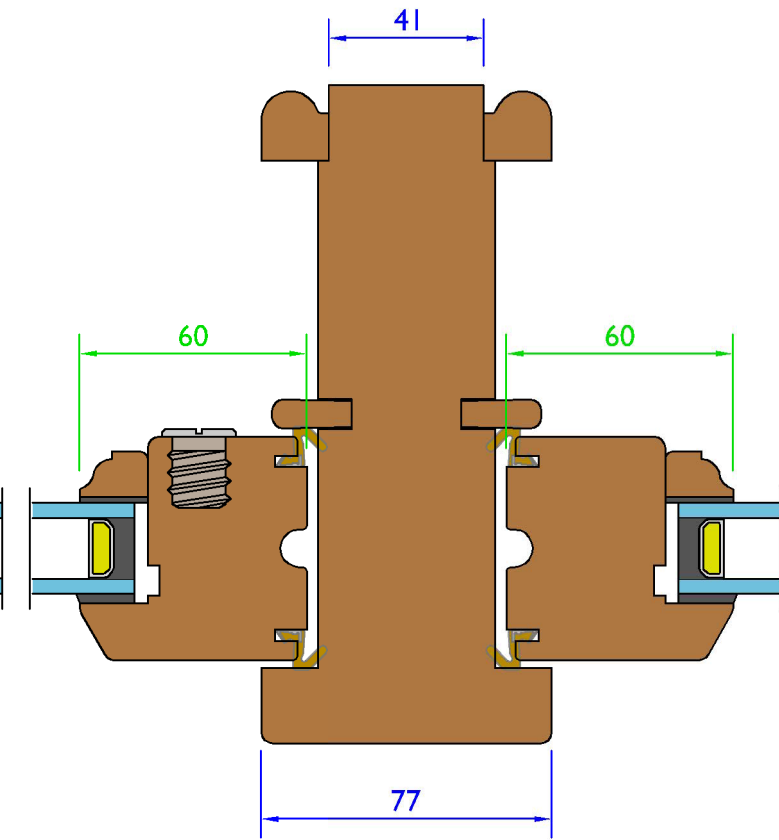
2 Box Mullion Detail - Option A - Section E-E - (Scale 1:2)



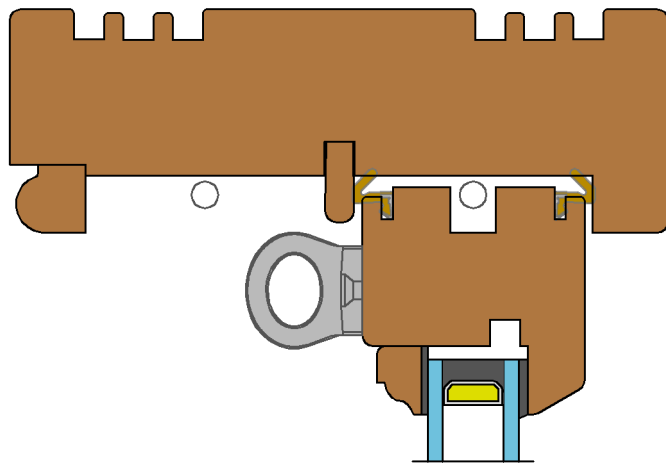
1 Box Mullion Detail - Option B - Section F-F - (Scale 1:2)



Solid Mullion Detail - Option C - Section G-G - (Scale 1:2)



Solid Head with Cord Option - Section L-L - (Scale 1:2)



Variable Dimensions  
(Dim shown is usually min)

Fixed Dimensions

Tolerances: All tolerances are to George Barnsdale Standard Tolerance definitions (see supporting document for more detail) unless stated on the drawing.  
© George Barnsdale & Sons Ltd. All rights reserved. No part of this drawing may be reproduced without the permission of George Barnsdale & Son Ltd.

System: T-SI-174		
Title: Traditional - Box Sash Window (59mm)		
Scale:	Rev No:	Date:
As Shown	B	26-Mar-18
Drawn By:	Sheet No:	Status:
LH	4	Released

**GEORGE BARNSDALE**  
Est. 1884  
High Street, Donington, Spalding, Lincs, PE11 4TA  
01775 823000  
www.georgebarnsdale.co.uk

**SASH HORN OPTIONS** (Scale 1:2)

Sash Horn Type A

Sash Horn Type B

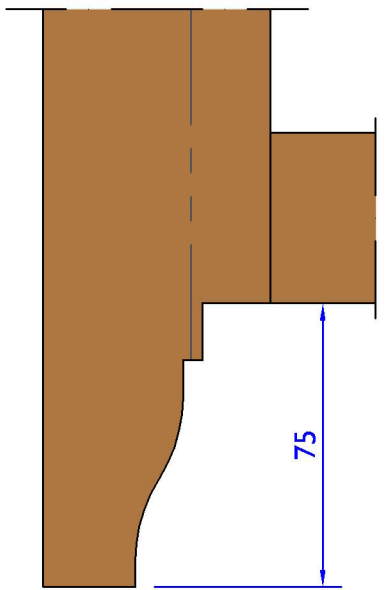
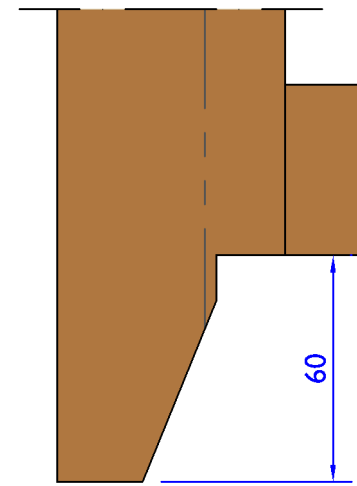
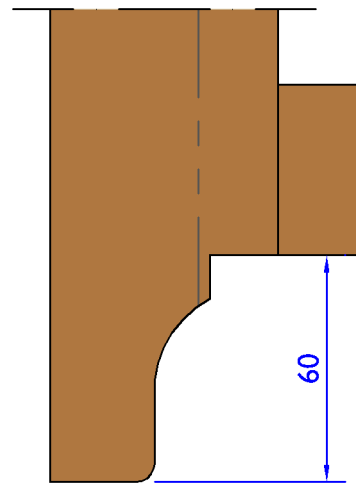
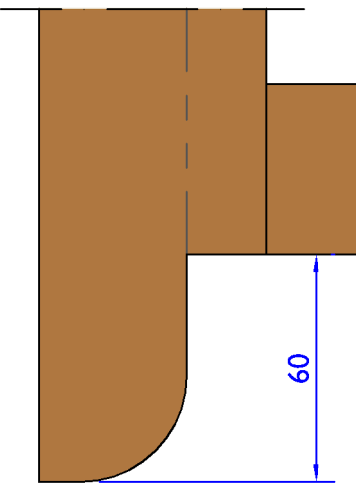
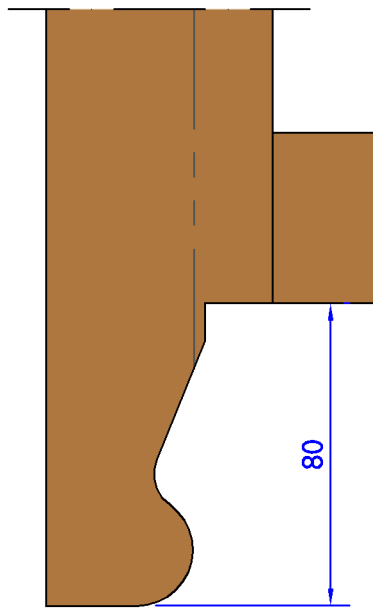
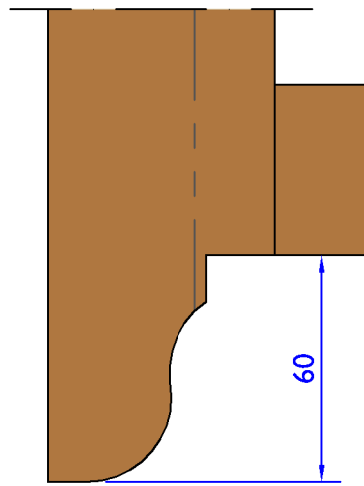
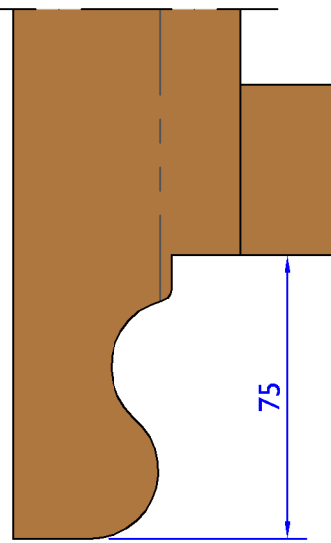
Sash Horn Type C

Sash Horn Type D

Sash Horn Type E

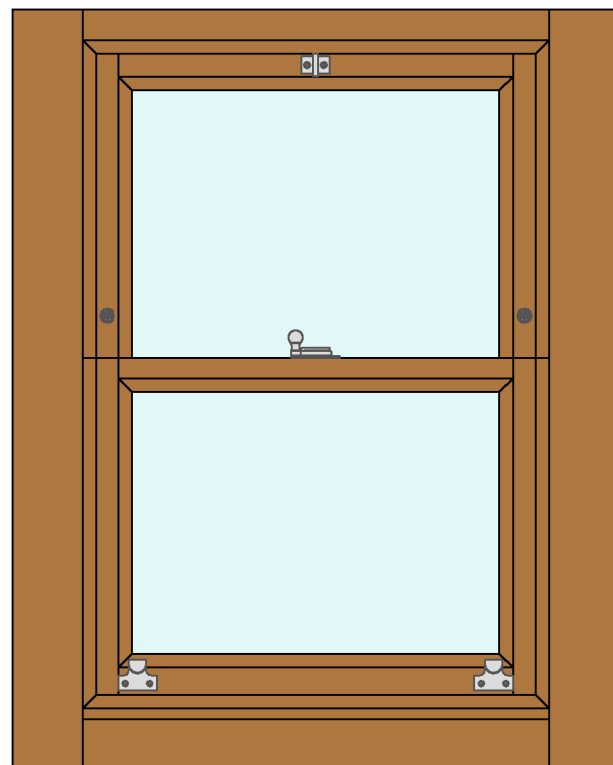
Sash Horn Type F

Sash Horn Type G



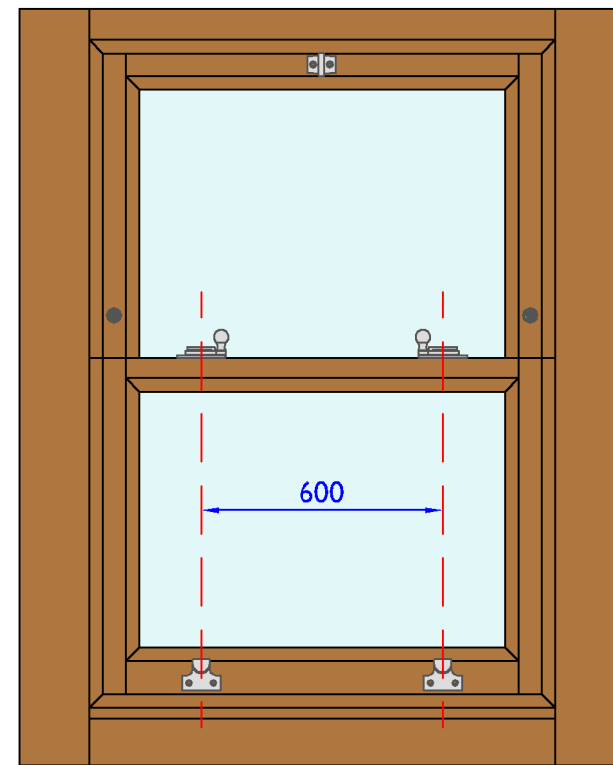
**Sash Pull Position**

(sash width <900 mm) - (Scale 1:10)

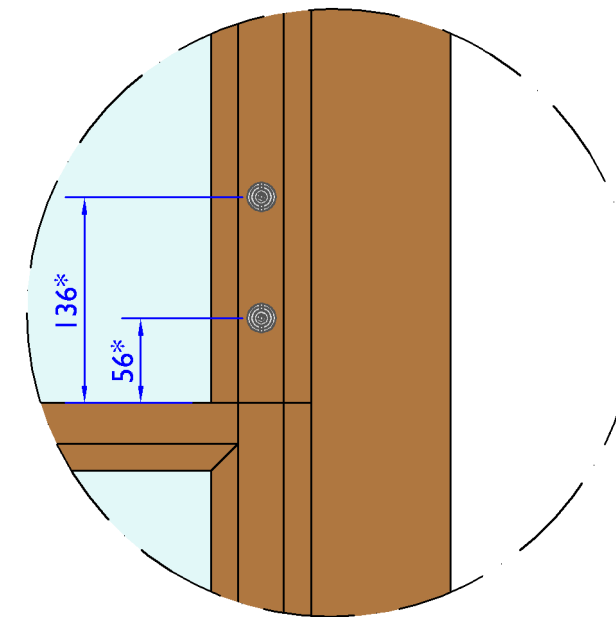


**Sash Pull + Fastener Position**

(sash width >900 mm) - (Scale 1:10)



**Double Sash Stop Option - (Scale 1:5)**



\* Dimensions shown provide (100mm and 20mm respectively), ventilation openings at the bottom of the window

Sash pull aligned with sash rebate. Sash fastener centralised unless glazing bar requires it to be offset (offset to RHS when viewed from inside unless specified otherwise)

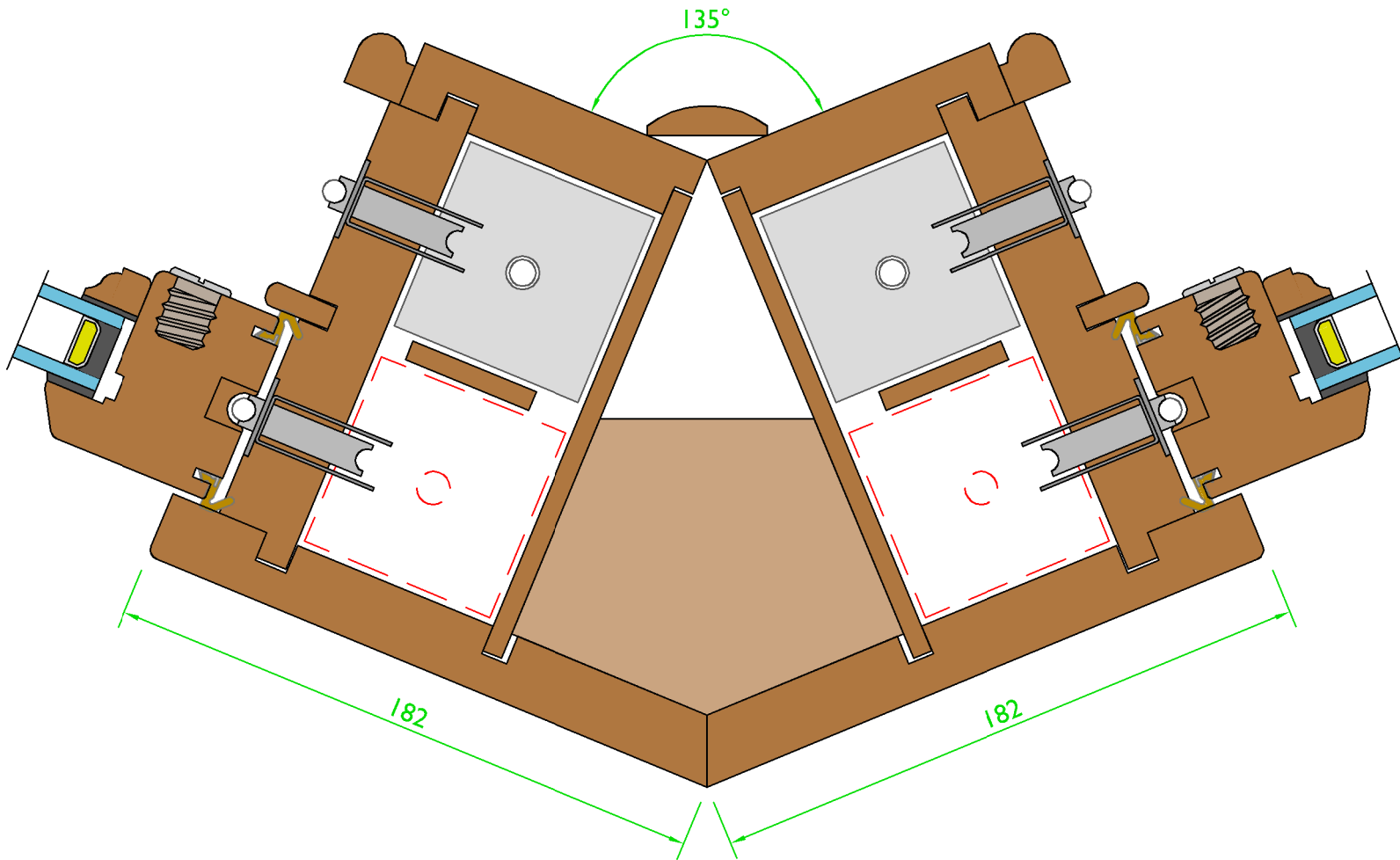
Sash pull aligned with sash fastener. Pull and fastener position as shown unless glazing bar requires alternative position which should then be positioned for best aesthetic by operator.

Variable Dimensions  
(Dim shown is usually min)

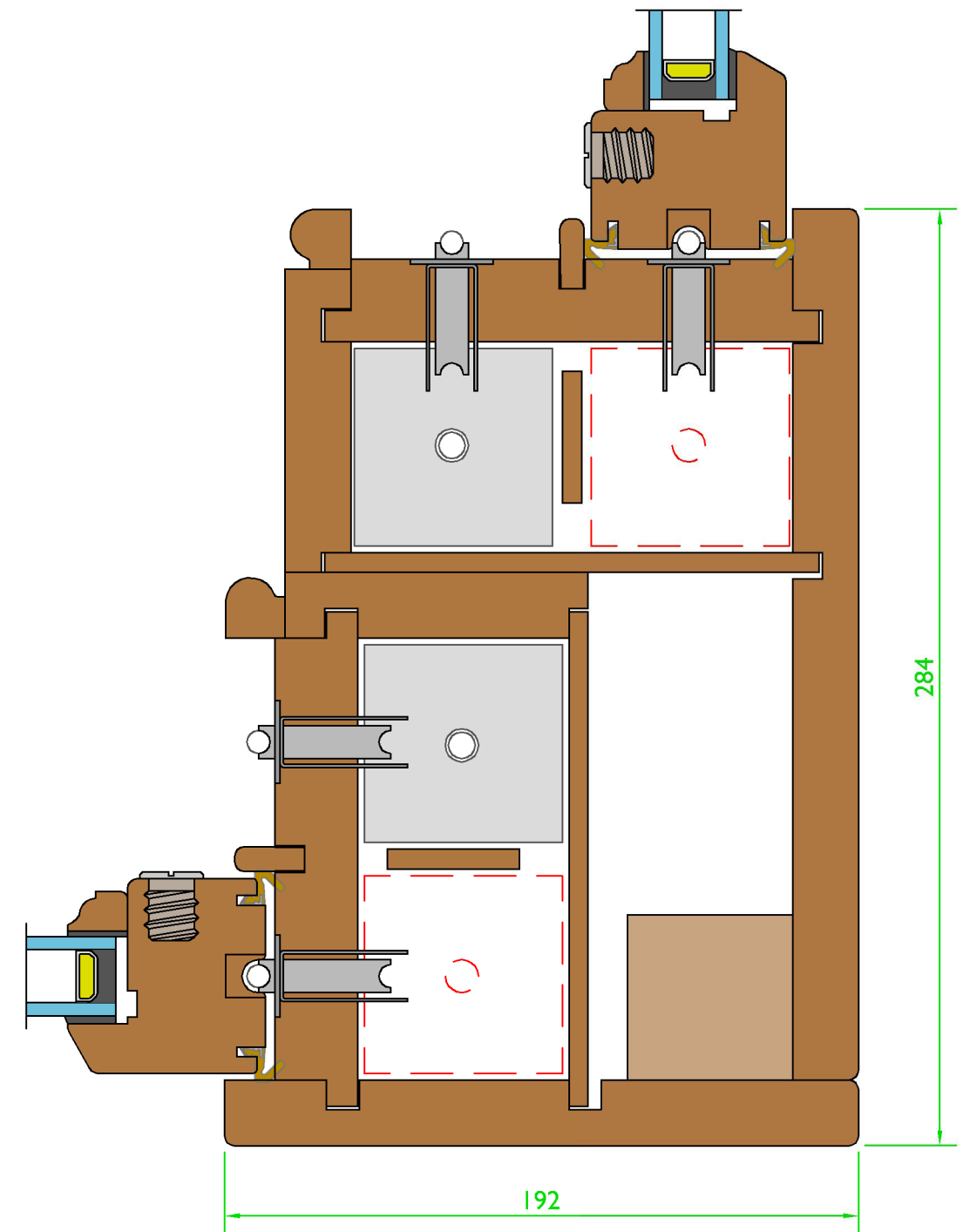
Fixed Dimensions

System: T-SI-174		
Title: Traditional - Box Sash Window (59mm)		
Scale:	Rev No:	Date:
As Shown	B	26-Mar-18
Drawn By:	Sheet No:	Status:
LH	5	Released

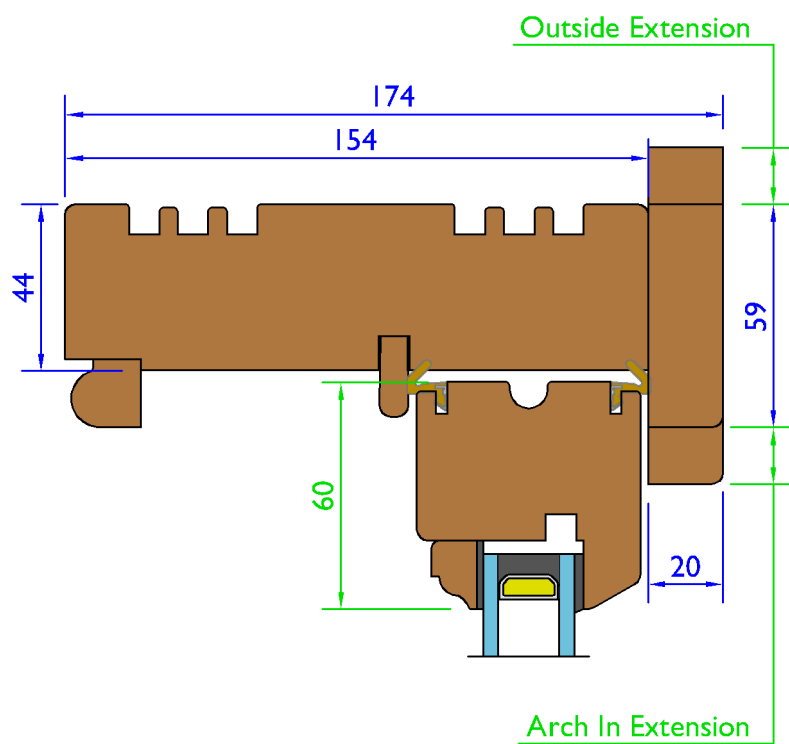
Angular Bay Corner Post Option - (Scale 1:2)



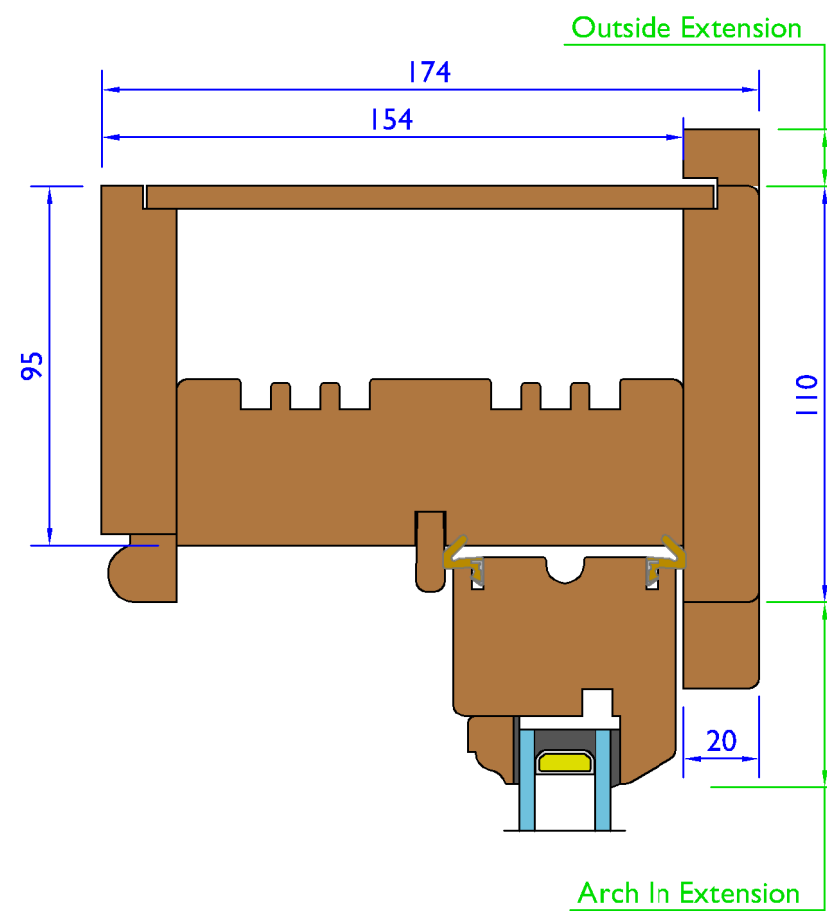
Square Bay Corner Post Option - (Scale 1:2)



Solid Head Extended Lining Option - (Scale 1:2)



Box Head Extended Lining Option - (Scale 1:2)



— Variable Dimensions  
(Dim shown is usually min)  
— Fixed Dimensions

Tolerances: All tolerances are to George Barnsdale Standard Tolerance definitions (see supporting document for more detail) unless stated on the drawing.  
© George Barnsdale & Sons Ltd. All rights reserved. No part of this drawing may be reproduced without the permission of George Barnsdale & Son Ltd.

System: T-SI-174		
Title: Traditional - Box Sash Window (59mm)		
Scale:	As Shown	Rev No: B
		Date: 26-Mar-18
Drawn By:	LH	Sheet No: 6
		Status: Released

**GEORGE BARNSDALE**  
Est. 1884  
High Street, Donington, Spalding, Lincs. PE11 4TA  
01775 823000  
www.georgebarnsdale.co.uk